

# AN8847SB

Head amplifier IC for CD-ROM drive (for 32 times speed or more)

## ■ Overview

The AN8847SB is a head amplifier IC for digital servo. It can configure an efficient CD-ROM system in combination with the MN662753, and allows a full-automatic adjustment of tracking balance-gain-offset and focus balance-gain-offset with fewer external parts.

Built-in functions are a variable equalizer, high band RF amp. and AGC which meet CAV playback with 32 times speed or more.

## ■ Features

- Variable equalizer which meets CAV playback with 32 times speed or more.
- Wide band RF amp. and AGC ( $f_c = 30$  MHz or more ( $-3$  dB))
- Balance adjustment function built-in  
Focus error amp./tracking error amp.
- CD-RW playback compatible.

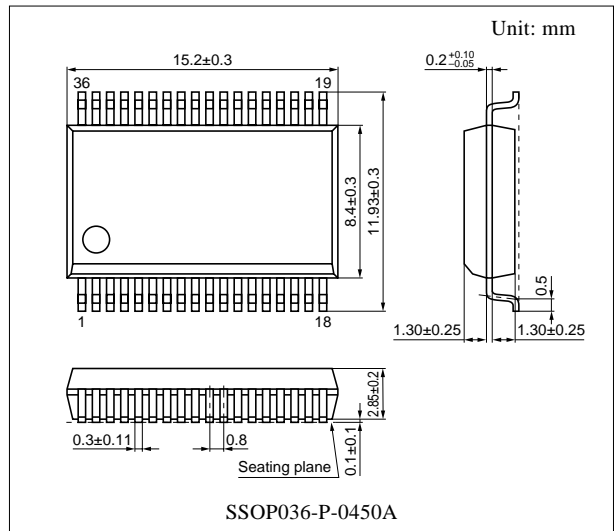
Variable gain

Focus error amp./tracking error amp.  
(to  $+16.9$  dB)

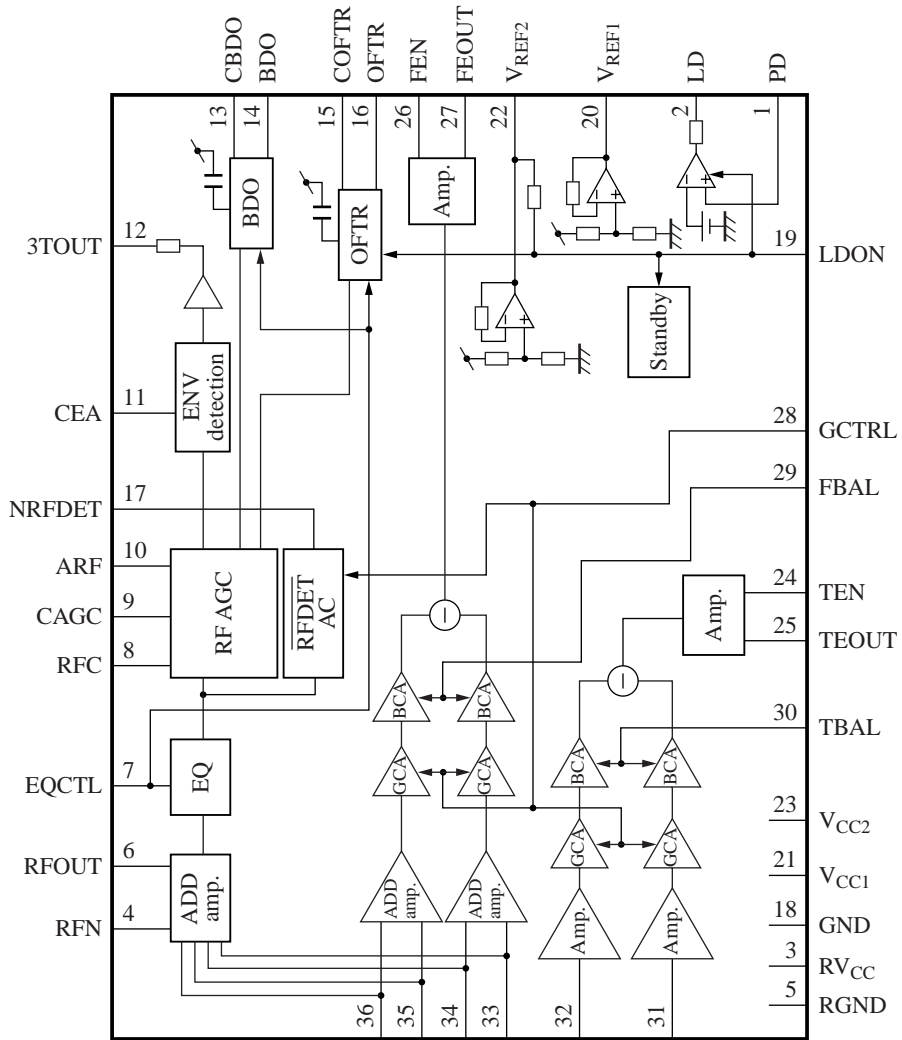
- OFTR/BDO detection
- APC amp.

## ■ Applications

- CD/CD-ROM drive



■ Block Diagram



## ■ Pin Descriptions

Pin No.	Description	Pin No.	Description
1	APC amp. input pin	18	GND pin
2	APC amp. output pin	19	APC & standby control pin
3	Power supply pin (R)	20	V <sub>REF1</sub> output pin
4	RF addition amp. inverted input pin	21	Power supply pin 1
5	GND pin (R)	22	V <sub>REF2</sub> output pin
6	RF addition amp. output pin	23	Power supply pin 2
7	EQ characteristics control pin	24	TE amp. inverted input pin
8	Capacitor connection pin for HPF of AGC input	25	TE amp. output pin
9	AGC loop filter connection pin	26	FE amp. inverted input pin
10	AGC output pin	27	FE amp. output pin
11	Capacitor connection pin for HPF amp.	28	GCTL pin
12	3TENV output pin	29	FBAL control pin
13	Capacitor connection pin for RF dark-side envelope detection	30	TBAL control pin
14	BDO output pin	31	Tracking signal input pin 1
		32	Tracking signal input pin 2
15	Capacitor connection pin for RF right-side envelope detection	33	Focus signal input pin 4
		34	Focus signal input pin 2
16	OFTR output pin	35	Focus signal input pin 3
17	NRFDET output pin	36	Focus signal input pin 1

## ■ Absolute Maximum Ratings

Parameter	Symbol	Rating	Unit
Supply voltage R *1	V <sub>CCR</sub>	5.8	V
Supply voltage 1 *1	V <sub>CC1</sub>	5.8	V
Supply voltage 2 *1	V <sub>CC2</sub>	5.8	V
Supply current R *1	I <sub>CCR</sub>	97.1	mA
Supply current 1 *1	I <sub>CC1</sub>	7.4	mA
Supply current 2 *1	I <sub>CC2</sub>	2.43	mA
Power dissipation *1, *2	P <sub>D</sub>	403	mW
Operating ambient temperature *1	T <sub>opr</sub>	-20 to +75	°C
Storage temperature *1	T <sub>stg</sub>	-55 to +125	°C

Note) \*1: Except for the power dissipation, operating ambient temperature and storage temperature, all ratings are for T<sub>a</sub> = 25°C.

\*2: The value for the independent package (without a heat sink) at T<sub>a</sub> = 75°C.

## ■ Recommended Operating Range

Parameter	Symbol	Range	Unit
Supply voltage R	V <sub>CCR</sub>	4.5 to 5.5	V
Supply voltage 1	V <sub>CC1</sub>	4.5 to 5.5	V
Supply voltage 2	V <sub>CC2</sub>	3.0 to 5.5	V

■ Electrical Characteristics at  $T_a = 25^\circ\text{C}$

Parameter	Symbol	Conditions	Min	Typ	Max	Unit
Current consumption with no load R	$I_{\text{TOTALR}}$	$V_{\text{CC1}} = 5\text{ V}$ , $V_{\text{CC2}} = 3.3\text{ V}$ $V_{\text{EQCTL}} = V_{\text{REF2}} + 0.75\text{ V}$	49.4	70.6	91.8	mA
Current consumption with no load 1	$I_{\text{TOTAL1}}$	$V_{\text{CC1}} = 5\text{ V}$ , $V_{\text{CC2}} = 3.3\text{ V}$ $V_{\text{EQCTL}} = V_{\text{REF2}} + 0.75\text{ V}$	3.8	5.4	7.0	mA
Current consumption with no load 2	$I_{\text{TOTAL2}}$	$V_{\text{CC1}} = 5\text{ V}$ , $V_{\text{CC2}} = 3.3\text{ V}$	1.24	1.77	2.30	mA
$V_{\text{REF1}}$ output voltage	$V_{\text{REF1}}$	$V_{\text{CC1}} = 5\text{ V}$ , $V_{\text{CC2}} = 3.3\text{ V}$	2.27	2.50	2.73	V
$V_{\text{REF2}}$ output voltage	$V_{\text{REF2}}$	$V_{\text{CC1}} = 5\text{ V}$ , $V_{\text{CC2}} = 3.3\text{ V}$	1.50	1.65	1.80	V
<b>Focus error amp.</b>						
Focus error amp. output offset voltage	$V_{\text{FO-OFF}}$	$V_{\text{CC1}} = 5\text{ V}$ , $V_{\text{CC2}} = 3.3\text{ V}$	-90	0	90	mV
Focus error offset balance crosstalk amount	$V_{\text{FO-OFB}}$	$V_{\text{CC1}} = 5\text{ V}$ , $V_{\text{CC2}} = 3.3\text{ V}$ $V_{\text{FB}} = V_{\text{REF2}} \pm 0.5\text{ V}$	-150	0	150	mV
Focus error amp. V-V conversion gain	$G_{\text{FO}}$	$V_{\text{CC1}} = 5\text{ V}$ , $V_{\text{CC2}} = 3.3\text{ V}$ $V_{\text{GC}} = V_{\text{REF2}} - 0.75\text{ V}$	12.3	14.4	16.5	dB
Focus error amp. V-V conversion relative gain	$\Delta G_{\text{FO}}$	$V_{\text{CC1}} = 5\text{ V}$ , $V_{\text{CC2}} = 3.3\text{ V}$ $V_{\text{GC}} = V_{\text{REF2}} - 0.75\text{ V}$	-1.5	0	1.5	dB
Focus error amp. balance output 1-H	$B_{\text{FO1-H}}$	$V_{\text{CC1}} = 5\text{ V}$ , $V_{\text{CC2}} = 3.3\text{ V}$ $V_{\text{FB}} = V_{\text{REF2}} + 0.5\text{ V}$	1.08	1.35	1.62	—
Focus error amp. balance output 1-L	$B_{\text{FO1-L}}$	$V_{\text{CC1}} = 5\text{ V}$ , $V_{\text{CC2}} = 3.3\text{ V}$ $V_{\text{FB}} = V_{\text{REF2}} - 0.5\text{ V}$	0.45	0.65	0.85	—
Focus error amp. balance relative output 2-H	$B_{\text{FOH}}$	$V_{\text{CC1}} = 5\text{ V}$ , $V_{\text{CC2}} = 3.3\text{ V}$ $V_{\text{FB}} = V_{\text{REF2}} + 0.5\text{ V}$	4.35	6.35	8.35	dB
Focus error amp. balance relative output 2-L	$B_{\text{FOL}}$	$V_{\text{CC1}} = 5\text{ V}$ , $V_{\text{CC2}} = 3.3\text{ V}$ $V_{\text{FB}} = V_{\text{REF2}} - 0.5\text{ V}$	-8.35	-6.35	-4.35	dB
Focus error amp. frequency characteristics	$G_{\text{FOF}}$	$V_{\text{CC1}} = 5\text{ V}$ , $V_{\text{CC2}} = 3.3\text{ V}$ $f = 3\text{ kHz}$ , $60\text{ kHz}$	-4.5	-3.0	-1.5	dB
Focus error amp. GCTRL gain ratio $\times 4$	$B_{\text{FO4}}$	$V_{\text{CC1}} = 5\text{ V}$ , $V_{\text{CC2}} = 3.3\text{ V}$ $V_{\text{GC}} = V_{\text{REF2}}$	3.3	4.3	5.3	—
<b>Tracking error amp.</b>						
Tracking error amp. output offset voltage	$V_{\text{TR-OFF}}$	$V_{\text{CC1}} = 5\text{ V}$ , $V_{\text{CC2}} = 3.3\text{ V}$	-60	0	60	mV
Tracking error offset balance crosstalk amount	$V_{\text{TR-OFB}}$	$V_{\text{CC1}} = 5\text{ V}$ , $V_{\text{CC2}} = 3.3\text{ V}$ $V_{\text{TB}} = V_{\text{REF2}} \pm 0.5\text{ V}$	-200	0	200	mV
Tracking error amp. V-V conversion gain	$G_{\text{TR}}$	$V_{\text{CC1}} = 5\text{ V}$ , $V_{\text{CC2}} = 3.3\text{ V}$ $V_{\text{GC}} = V_{\text{REF2}} - 0.75\text{ V}$	12.2	14.3	16.4	dB
Tracking error amp. V-V conversion relative gain	$\Delta G_{\text{TR}}$	$V_{\text{CC1}} = 5\text{ V}$ , $V_{\text{CC2}} = 3.3\text{ V}$ $V_{\text{GC}} = V_{\text{REF2}} - 0.75\text{ V}$	-1.5	0	1.5	dB
Tracking error amp. balance output 1-H	$B_{\text{TR1-H}}$	$V_{\text{CC1}} = 5\text{ V}$ , $V_{\text{CC2}} = 3.3\text{ V}$ $V_{\text{TB}} = V_{\text{REF2}} + 0.5\text{ V}$	0.45	0.65	0.85	—
Tracking error amp. balance output 1-L	$B_{\text{TR1-L}}$	$V_{\text{CC1}} = 5\text{ V}$ , $V_{\text{CC2}} = 3.3\text{ V}$ $V_{\text{TB}} = V_{\text{REF2}} - 0.5\text{ V}$	1.08	1.35	1.62	—

■ Electrical Characteristics at  $T_a = 25^\circ\text{C}$  (continue)

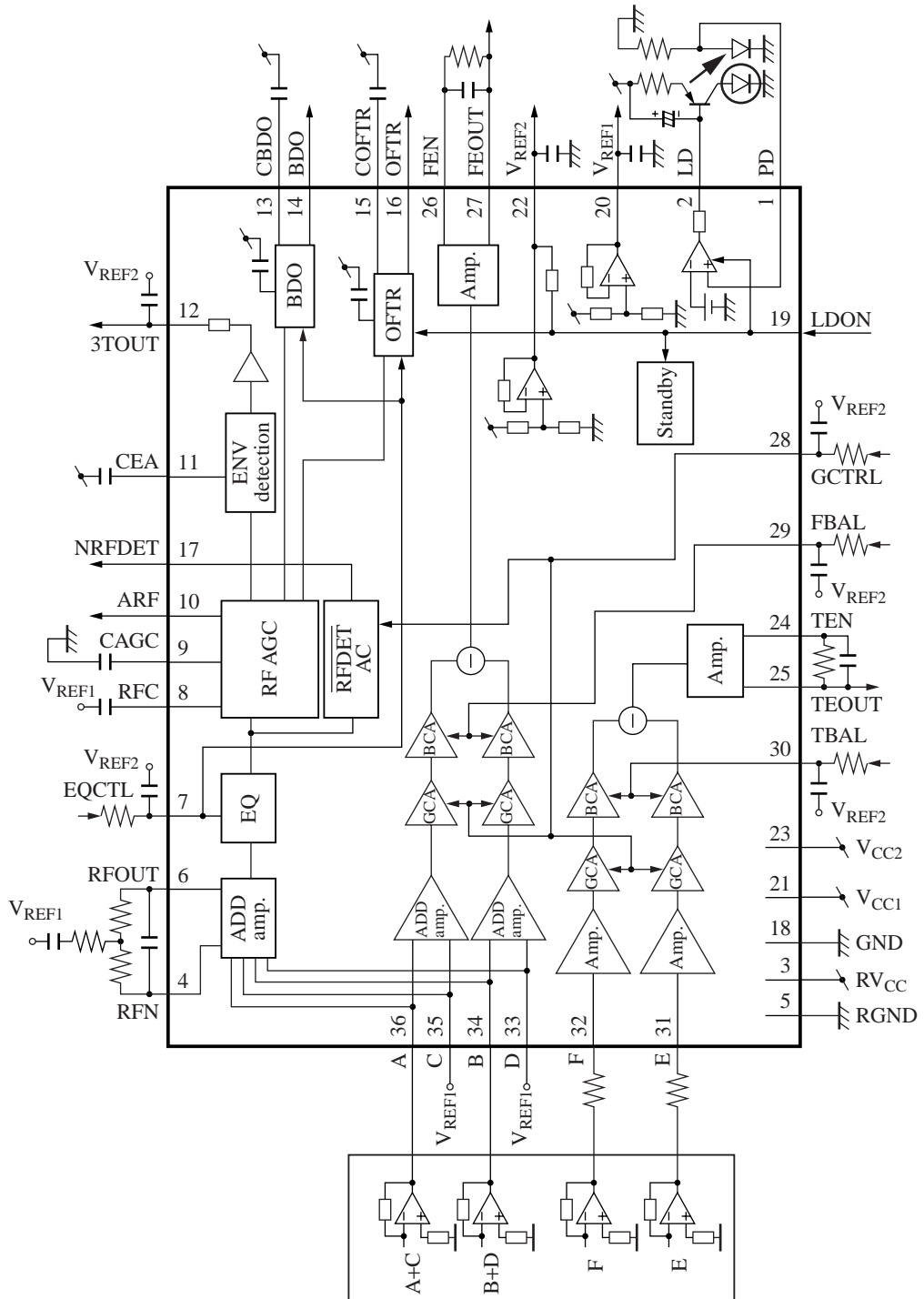
Parameter	Symbol	Conditions	Min	Typ	Max	Unit
Tracking error amp. (continued)						
Tracking error amp. balance relative output 2-H	$B_{TRH}$	$V_{CC1} = 5\text{ V}, V_{CC2} = 3.3\text{ V}$ $V_{TB} = V_{REF2} + 0.5\text{ V}$	-8.35	-6.35	-4.35	dB
Tracking error amp. balance relative output 2-L	$B_{TRL}$	$V_{CC1} = 5\text{ V}, V_{CC2} = 3.3\text{ V}$ $V_{TB} = V_{REF2} - 0.5\text{ V}$	4.35	6.35	8.35	dB
Tracking error amp. frequency characteristics	$G_{TRF}$	$V_{CC1} = 5\text{ V}, V_{CC2} = 3.3\text{ V}$ $f = 30\text{ kHz}, 500\text{ kHz}$	-4.5	—	0	dB
Tracking error amp. GCTRL gain ratio $\times 4$	$B_{TR4}$	$V_{CC1} = 5\text{ V}, V_{CC2} = 3.3\text{ V}$ $V_{GC} = V_{REF2}$	3.3	4.3	5.3	—
RF addition amp.						
RF addition amp. output offset voltage	$V_{RAOF}$	$V_{CC1} = 5\text{ V}, V_{CC2} = 3.3\text{ V}$	-200	0	200	mV
RF addition amp. addition gain	$G_{RAD}$	$V_{CC1} = 5\text{ V}, V_{CC2} = 3.3\text{ V}$	-1.5	0	1.5	dB
RF addition amp. addition relative gain 1	$\Delta G_{RAD1}$	$V_{CC1} = 5\text{ V}, V_{CC2} = 3.3\text{ V}$	-1.0	0	1.0	dB
RF addition amp. addition relative gain 2	$\Delta G_{RAD2}$	$V_{CC1} = 5\text{ V}, V_{CC2} = 3.3\text{ V}$	-1.0	0	1.0	dB
RF addition amp. addition relative gain 3	$\Delta G_{RAD3}$	$V_{CC1} = 5\text{ V}, V_{CC2} = 3.3\text{ V}$	-1.0	0	1.0	dB
RF addition amp. full-addition gain	$G_{RADA}$	$V_{CC1} = 5\text{ V}, V_{CC2} = 3.3\text{ V}$	10.5	12.0	13.5	dB
RF addition amp. full-addition frequency characteristics *	$G_{RADDF}$	$V_{CC1} = 5\text{ V}, V_{CC2} = 3.3\text{ V}$ $f = 500\text{ kHz}, 40\text{ MHz}$	-2.88	0.12	3.12	dB
Variable EQ characteristics						
EQ characteristics $\times 1-1$ *	$G_{EQ1-1}$	$f = 10\text{ kHz}, 100\text{ kHz}$ $V_{EQCTL} = V_{REF2} - 0.75\text{ V}$	-1.5	0	1.5	dB
EQ characteristics $\times 1-3$ *	$G_{EQ1-3}$	$f = 1.4\text{ MHz}$ $V_{EQCTL} = V_{REF2} - 0.75\text{ V}$	2.5	4.0	5.5	dB
EQ characteristics $\times 32-1$ *	$G_{EQ32-1}$	$f = 2\text{ MHz}$ $V_{EQCTL} = V_{REF2} + 0.75\text{ V}$	-1.5	0	1.5	dB
EQ characteristics $\times 32-3$ *	$G_{EQ32-3}$	$f = 32\text{ MHz}$ $V_{EQCTL} = V_{REF2} + 0.75\text{ V}$	0.5	2.0	3.5	dB
AGC						
AGC max. gain	$G_{MAGC}$	$f = 500\text{ kHz}, V_{IN} = 20\text{ mV[p-p]}$	20.0	23.0	26.0	dB
AGC operating gain	$G_{AGC}$	$f = 500\text{ kHz}, V_{IN} = 500\text{ mV[p-p]}$	3.0	6.0	9.0	dB
AGC compression factor	$\Delta G_{AGC}$	$f = 500\text{ kHz}, V_{IN} = 100\text{ mV[p-p]}$	-1.97	0.53	3.03	dB

Note) \*: The values mentioned above are subject to change according to the state of a printed circuit board, a socket, etc.

**■ Electrical Characteristics at  $T_a = 25^\circ\text{C}$  (continued)**

Parameter	Symbol	Conditions	Min	Typ	Max	Unit
<b>NRF detection</b>						
NRF det. detection level	$V_{RDA1}$	$f = 500 \text{ kHz}, V_{GC} = V_{REF2} - 0.75 \text{ V}$	73	105	137	mV[p-p]
NRF det. high-level output voltage	$V_{RDAH}$	$f = 500 \text{ kHz}, V_{GC} = V_{REF2} - 0.75 \text{ V}$	4.2	—	—	V
NRF det. low-level output voltage	$V_{RDAL}$	$f = 500 \text{ kHz}, V_{GC} = V_{REF2} - 0.75 \text{ V}$	—	—	0.8	V
<b>BDO</b>						
CBDO detection current	$I_{BDO}$	$V_{CC1} = 5 \text{ V}, V_{CC2} = 3.3 \text{ V}$ $V_{EQCTL} = V_{REF2} - 0.5 \text{ V}$	1.07	1.49	1.91	$\mu\text{A}$
CBDO detection current ratio	$B_{IBD4}$	$V_{CC1} = 5 \text{ V}, V_{CC2} = 3.3 \text{ V}$ $V_{EQCTL} = V_{REF2}$	4.4	5.4	6.4	—
BDO high-level output voltage	$V_{BDOH}$	$V_{CC1} = 5 \text{ V}, V_{CC2} = 3.3 \text{ V}$ $f = 5 \text{ kHz}, \text{rectangular wave}$	4.2	—	—	V
BDO low-level output voltage	$V_{BDOL}$	$V_{CC1} = 5 \text{ V}, V_{CC2} = 3.3 \text{ V}$ $f = 5 \text{ kHz}, \text{sine wave}$	—	—	0.8	V
<b>OFTR</b>						
COFTR detection current	$I_{OFTR}$	$V_{CC1} = 5 \text{ V}, V_{CC2} = 3.3 \text{ V}$ $V_{LDON} = V_{REF2} - 0.5 \text{ V}$	1.07	1.49	1.91	$\mu\text{A}$
COFTR detection current ratio	$B_{IOFTR4}$	$V_{CC1} = 5 \text{ V}, V_{CC2} = 3.3 \text{ V}$ $V_{LDON} = V_{REF2}$	3.1	3.9	4.7	—
OFTR high-level output voltage	$V_{OFTRH}$	$V_{CC1} = 5 \text{ V}, V_{CC2} = 3.3 \text{ V}$ $f = 5 \text{ kHz}, \text{rectangular wave}$	4.2	—	—	V
OFTR low-level output voltage	$V_{OFTRL}$	$V_{CC1} = 5 \text{ V}, V_{CC2} = 3.3 \text{ V}$ $f = 5 \text{ kHz}, \text{rectangular wave}$	—	—	0.8	V
OFTR sensitivity	$V_{OFT\_S}$	$f = 470 \text{ kHz}, \text{sine wave}$ $V_{LDON} = V_{REF2} + 0.75 \text{ V}$	0	—	1.2	V
<b>3TENV</b>						
CEA to ENV transfer characteristics	$G_{CEA-ENV}$	$V_{CC1} = 5 \text{ V}, V_{CC2} = 3.3 \text{ V}$	25.0	28.0	31.0	dB
CEA input impedance	$Z_{CEA}$	$V_{CC1} = 5 \text{ V}, V_{CC2} = 3.3 \text{ V}$	6.5	8.5	10.5	k $\Omega$
ENV amp. output impedance	$Z_{ENV}$	$V_{CC1} = 5 \text{ V}, V_{CC2} = 3.3 \text{ V}$	6.0	8.0	10.0	k $\Omega$
ENV amp. offset voltage	$V_{ENVOF}$	$V_{CC1} = 5 \text{ V}, V_{CC2} = 3.3 \text{ V}$	-120	0	120	mV
ENV amp. operation	$V_{ENV}$	$V_{CC1} = 5 \text{ V}, V_{CC2} = 3.3 \text{ V}$ $f = 800 \text{ kHz}, \text{AM modulation}$	210	420	630	mV[p-p]
<b>LD APC</b>						
LD operating reference voltage	$V_{LD}$	$V_{CC1} = 5 \text{ V}, V_{CC2} = 3.3 \text{ V}$	139	170	201	mV
LDON operating voltage	$V_{LDON}$	$V_{CC1} = 5 \text{ V}, V_{CC2} = 3.3 \text{ V}$	—	—	-0.35	V
<b>Standby</b>						
Current consumption at no load in a standby mode	$I_{STBY}$	$V_{CC1} = 5 \text{ V}, V_{CC2} = 3.3 \text{ V}$ $V_{LDON} = V_{REF2} - 0.75 \text{ V}$	3.61	5.16	6.71	mA

■ Application Circuit Example





LittleDiode supplies new, hard to find or obsolete electronic components and semiconductors all over the world.

With over two million different components listed you are sure to find the part you need.

Feel free to visit us today at our online store:

**[LittleDiode.com](http://LittleDiode.com)**

Looking forward to providing you with the best possible service.