

AN8612NSB

SCSI active terminator IC

■ Overview

The AN8612NSB is a terminator IC conformed to standard interface specification (SCSI-I/II) for personal computers, workstations and various types of information equipment. So far configured with a fixed resistor and a regulator, it has recently been integrated onto a single chip with built-in standby function.

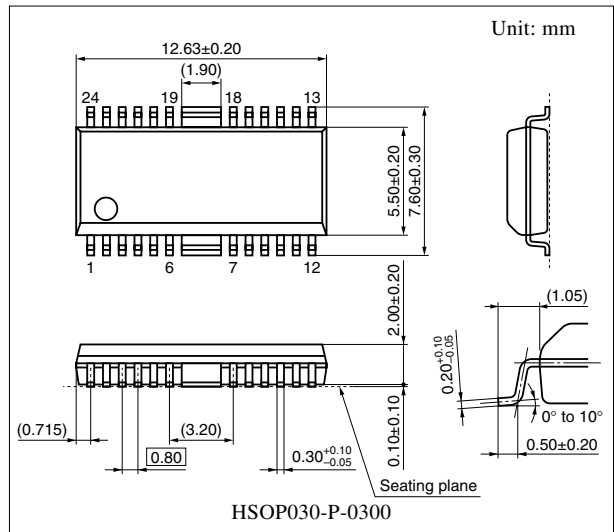
It is easy to satisfy 25 pF of the maximum pin capacitance in SCSI-II specification due to its small output pin capacitance. It can support 10 Mbyte/s of SCSI-II and 20 Mbyte/s of FAST-20.

■ Features

- Active termination for 18-signal line
- Low power consumption due to its standby function (100 μ A at standby).
- Small output pin capacitance: 3.8 pF (typ.)
- High precision regulator: 2.85 V \pm 60 mV

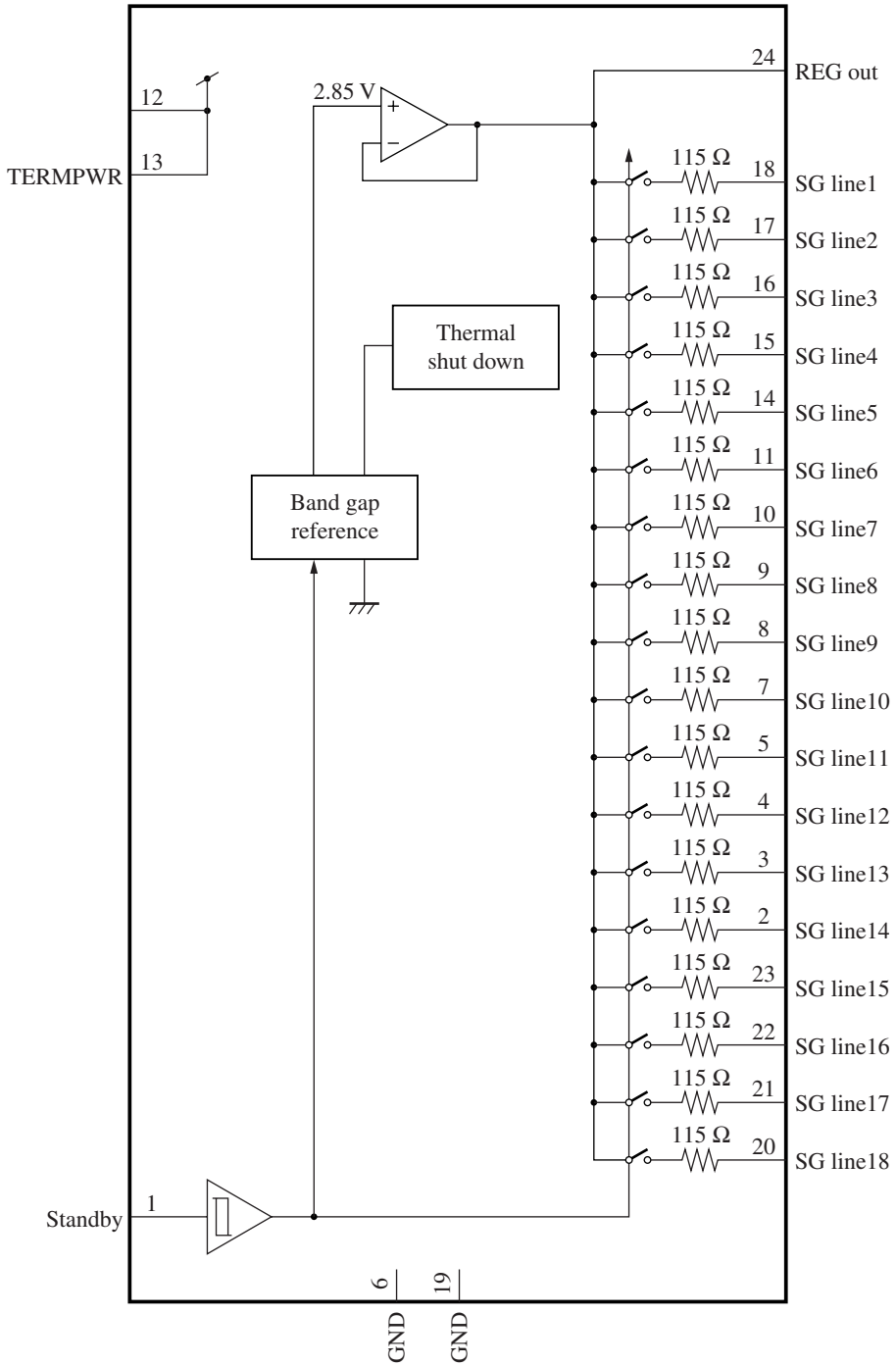
■ Applications

- SCSI interface board of PC
- SCSI-compatible equipment such as CD-ROM, MO, PD, MD drive and printer



Note) The package of this product will be changed to lead-free type (HSOP030-P-0300A). See the new package dimensions section later of this datasheet.

■ Block Diagram



Pin Descriptions

Pin No.	Description	Pin No.	Description
1	Standby *1	13	V _{CC} (TERMPWR) *3
2	SG line14	14	SG line5
3	SG line13	15	SG line4
4	SG line12	16	SG line3
5	SG line11	17	SG line2
6	GND *2	18	SG line1
Fin	GND *2	Fin	GND *2
7	SG line10	19	GND *2
8	SG line9	20	SG line18
9	SG line8	21	SG line17
10	SG line7	22	SG line16
11	SG line6	23	SG line15
12	V _{CC} (TERMPWR) *3	24	REG out

Note) *1: A standby pin input voltage becomes an active mode at $V_I < V_{TH}$ and a standby mode at $V_I > V_{TH+}$.

Likewise, a standby mode when standby pin is open.

*2: Both ground pins of the pin 6 and pin 19 should be placed on the same pattern, and the pattern should be wide on the PCB.

(We recommend that whole surface of one layer of a multi-layer PCB be GND.)

*3: Connect the V_{CC} to SCSI termination resistor power supply (TERMPWR).

Absolute Maximum Ratings

Parameter	Symbol	Rating	Unit
Supply voltage	V _{CC}	6.0	V
Supply current	I _{CC}	550	mA
Power dissipation *2	P _D	412	mW
Operating ambient temperature *1	T _{opr}	-20 to +75	°C
Storage temperature *1	T _{stg}	-55 to +150	°C

Note) *1: Except for the power dissipation, operating ambient temperature and storage temperature, all ratings are for T_a = 25°C.

*2: T_a = 75°C. For the independent IC without a heat sink.

Refer to "Application Notes".

Recommended Operating Range

Parameter	Symbol	Range	Unit
Supply voltage	V _{CC}	4.0 to 5.5	V

■ Electrical Characteristics at $V_{CC} = 5.0\text{ V}$, $T_a = 25^\circ\text{C}$

Parameter	Symbol	Conditions	Min	Typ	Max	Unit
Supply current 1	I_{CC1}	Standby = low, all SG line = open	—	44	54	mA
Supply current 2	I_{CC2}	Standby = low, All SG line = 0.2 V	—	458	530	mA
Supply current 3	I_{CC3}	Standby = open	—	100	200	μA
Standby pin low-level input current	I_{STBYL}	$V_{CC} = 5.5\text{ V}$, $V_I = 0\text{ V}$	-150	-50	—	μA
Standby pin high-level input current	I_{STBYH}	$V_{CC} = 5.5\text{ V}$, $V_I = 5.5\text{ V}$	—	—	1	μA
Standby pin positive direction threshold voltage	V_{TH+}		1.3	1.5	1.7	V
Standby pin negative direction threshold voltage	V_{TH-}		1.1	1.3	1.5	V
Maximum output current SG line1 to SG line18	I_{SG}	$V_{SG} = 0.2\text{ V}$	19.8	23.0	26.2	mA
Output leak current 1 SG line1 to SG line18	I_{LK1}	$V_{CC} = 5.5\text{ V}$ Standby = open, $V_{SG} = 0\text{ V}$	-1	—	—	μA
Output leak current 2 SG line1 to SG line18	I_{LK2}	$V_{CC} = 5.5\text{ V}$, $V_{SG} = 2.85\text{ V}$ Standby = open	-1	—	1	μA
REG output voltage 1	V_{REG1}	$V_{CC} = 4.0\text{ V}$ to 5.5 V , all SG line = open	2.79	2.85	2.91	V
REG output voltage 2	V_{REG2}	$V_{CC} = 3.2\text{ V}$, all SG line = open	2.00	—	—	V
Termination resistance value SG line1 to SG line18	R_{SG}	$I_{SG} = 5\text{ mA}$ to 15 mA	107	115	123	Ω
High-level output voltage SG line1 to SG line18	V_{SGH}	$V_{CC} = 4.0\text{ V}$ to 5.5 V , all SG line = open	2.78	2.85	2.92	V

• Design reference data

Note) The characteristics listed below are theoretical values based on the IC design and are not guaranteed.

Parameter	Symbol	Conditions	Min	Typ	Max	Unit
Standby pin hysteresis width	V_{HYS}		—	200	—	mV
Output pin capacitance	C_{SG}		—	3.8	4.5	pF
Thermal shutdown temperature	T_{TSD}		—	170	—	$^\circ\text{C}$

■ Terminal Equivalent Circuits

Pin No.	Symbol	Equivalent circuit
1	Standby	

■ Terminal Equivalent Circuits (continued)

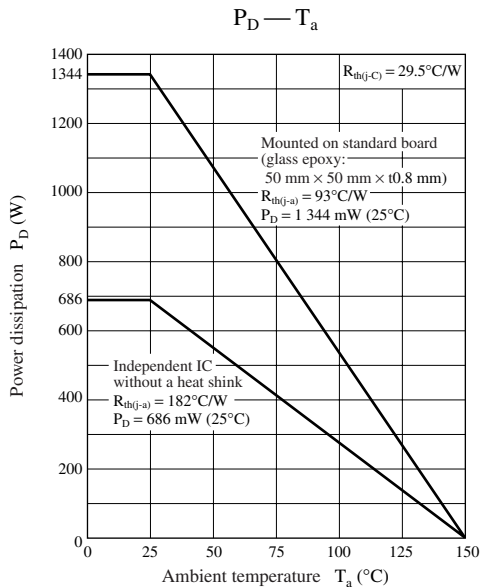
Pin No.	Symbol	Equivalent circuit
2 3 4 5	Pin 2: SG line14 Pin 3: SG line13 Pin 4: SG line12 Pin 5: SG line11	
6	GND	—
Fin	GND	—
7 8 9 10 11	Pin 7: SG line10 Pin 8: SG line9 Pin 9: SG line8 Pin 10: SG line7 Pin 11: SG line6	
12 13	Pin 12: V _{CC} (TERMPWR) Pin 13: V _{CC} (TERMPWR)	
14 15 16 17 18	Pin 14: SG line5 Pin 15: SG line4 Pin 16: SG line3 Pin 17: SG line2 Pin 18: SG line1	

■ Terminal Equivalent Circuits (continued)

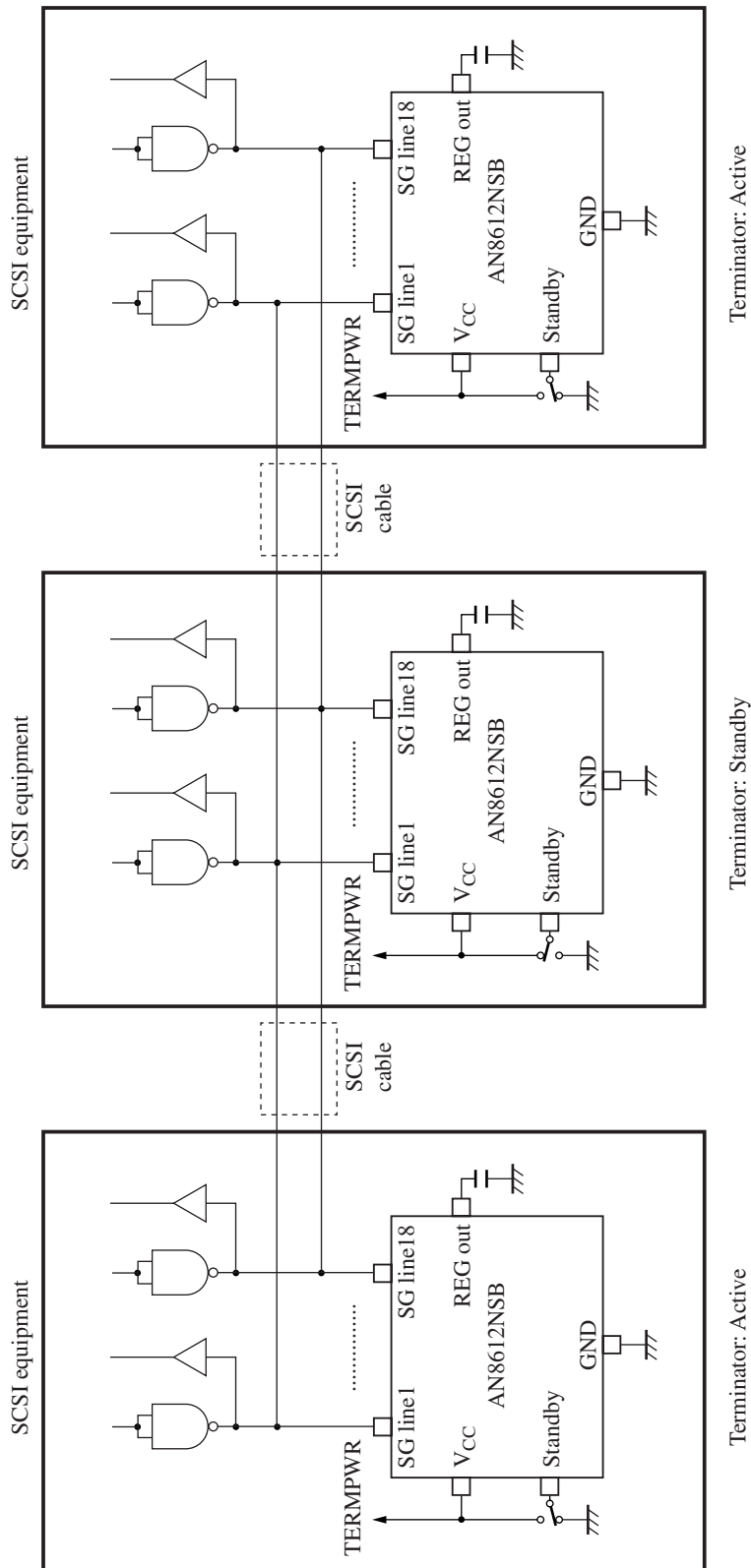
Pin No.	Symbol	Equivalent circuit
Fin	GND	—
19	GND	—
20 21 22 23	Pin 20: SG line18 Pin 21: SG line17 Pin 22: SG line16 Pin 23: SG line15	
24	REG out	

■ Application Notes

- $P_D - T_a$ curves of HSOP030-P-0300

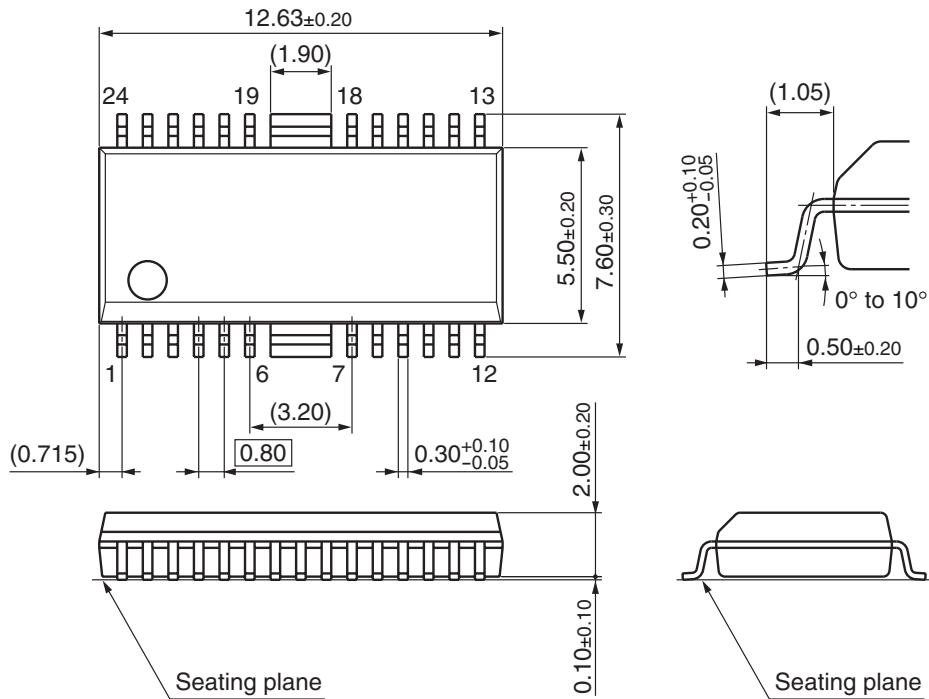


■ Application Circuit Example



■ New Package Dimensions (Unit: mm)

- HSOP030-P-0300A (Lead-free package)



Request for your special attention and precautions in using the technical information and semiconductors described in this material

- (1) An export permit needs to be obtained from the competent authorities of the Japanese Government if any of the products or technologies described in this material and controlled under the "Foreign Exchange and Foreign Trade Law" is to be exported or taken out of Japan.
- (2) The technical information described in this material is limited to showing representative characteristics and applied circuit examples of the products. It does not constitute the warranting of industrial property, the granting of relative rights, or the granting of any license.
- (3) The products described in this material are intended to be used for standard applications or general electronic equipment (such as office equipment, communications equipment, measuring instruments and household appliances).
Consult our sales staff in advance for information on the following applications:
 - Special applications (such as for airplanes, aerospace, automobiles, traffic control equipment, combustion equipment, life support systems and safety devices) in which exceptional quality and reliability are required, or if the failure or malfunction of the products may directly jeopardize life or harm the human body.
 - Any applications other than the standard applications intended.
- (4) The products and product specifications described in this material are subject to change without notice for reasons of modification and/or improvement. At the final stage of your design, purchasing, or use of the products, therefore, ask for the most up-to-date Product Standards in advance to make sure that the latest specifications satisfy your requirements.
- (5) When designing your equipment, comply with the guaranteed values, in particular those of maximum rating, the range of operating power supply voltage and heat radiation characteristics. Otherwise, we will not be liable for any defect which may arise later in your equipment.
Even when the products are used within the guaranteed values, redundant design is recommended, so that such equipment may not violate relevant laws or regulations because of the function of our products.
- (6) When using products for which dry packing is required, observe the conditions (including shelf life and after-unpacking standby time) agreed upon when specification sheets are individually exchanged.
- (7) No part of this material may be reprinted or reproduced by any means without written permission from our company.

Please read the following notes before using the datasheets

- A. These materials are intended as a reference to assist customers with the selection of Panasonic semiconductor products best suited to their applications.
Due to modification or other reasons, any information contained in this material, such as available product types, technical data, and so on, is subject to change without notice.
Customers are advised to contact our semiconductor sales office and obtain the latest information before starting precise technical research and/or purchasing activities.
- B. Panasonic is endeavoring to continually improve the quality and reliability of these materials but there is always the possibility that further rectifications will be required in the future. Therefore, Panasonic will not assume any liability for any damages arising from any errors etc. that may appear in this material.
- C. These materials are solely intended for a customer's individual use.
Therefore, without the prior written approval of Panasonic, any other use such as reproducing, selling, or distributing this material to a third party, via the Internet or in any other way, is prohibited.



LittleDiode supplies new, hard to find or obsolete electronic components and semiconductors all over the world.

With over two million different components listed you are sure to find the part you need.

Feel free to visit us today at our online store:

LittleDiode.com

Looking forward to providing you with the best possible service.