



APPLICATION NOTE

TS912 : DRIVING A PIEZOELECTRIC CELL WITH A RAIL TO RAIL OP-AMP

by F. MARICOURT

INTRODUCTION

The TS912 is an input/output rail to rail dual CMOS operational amplifier. It is able to operate with low supply voltage (2.7V) and to drive low output loads (600Ω).

As an illustration of these features, the following note is describing the TS912 behaviour when driving a piezoelectric cell.

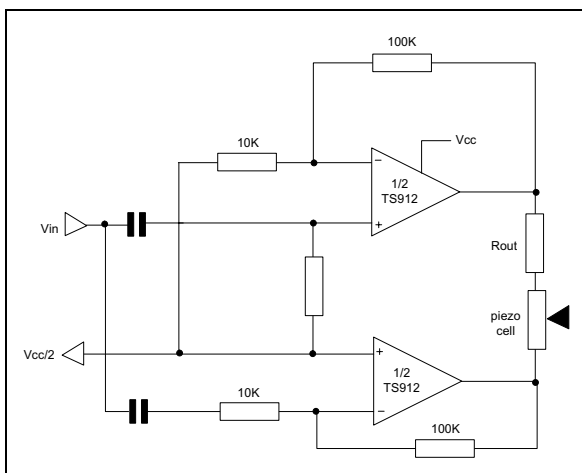
APPLICATION CIRCUIT

The TS912 is used in a single supply push-pull configuration as displayed below in figure1. The closed-loop gain value is 20dB. A small serial resistor R_{out} is placed in order to remove HF oscillations.

The piezoelectric speaker used as load has the following characteristics :

- Frequency range: 500Hz-20kHz
- Capacitance: 140nF at 120Hz
- Input voltage: 30vp-p max.

Figure 1 : Electrical Schematic



CHARACTERIZATION

The dynamic behaviour is displayed through the two following figures :

- Frequency response at $V_{CC} = 3V$ (figure 2). This application is particularly stable within the range of the piezo (the gain is dropping by only 2.5dB).
- Output swing versus supply voltage : the push-pull configuration is theoretically allowing a doubled output voltage amplitude versus V_{CC} : the outputs on each side of the cell are rail to rail and phase opposite.

Figure 2 : Frequency Response

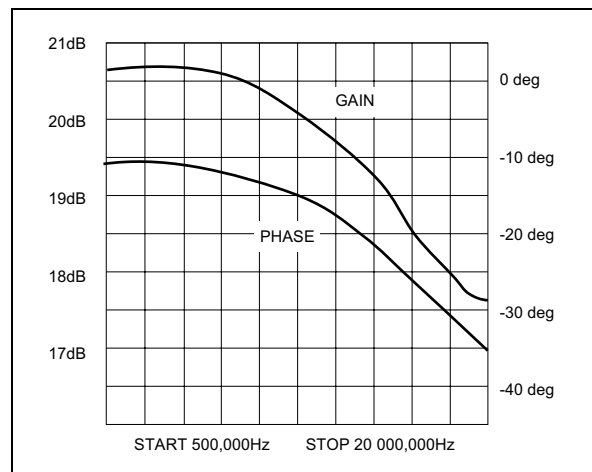


Figure 3 shows that this goal is highly dependant of the frequency ; for example the total output swing available at 2kHz is recovered as followed :

- $V_{CC} = 3V$ Out.vol.=3.4Vpp 57% of 6vpp theor.
- $V_{CC} = 4V$ 6.6Vpp 82%
- $V_{CC} = 5V$ 8.7Vpp 87%
- $V_{CC} = 8V$ 14.6Vpp 91%

APPLICATION NOTE

As a typical feature of any audio application, one may consider Total Harmonic Distorsion (THD) which is here considered with power supply as a parametric value (Figure 4).

The piezo is then correctly driven with low voltage supply down to 4V

Figure 3 : Output Swing versus Supply Voltage

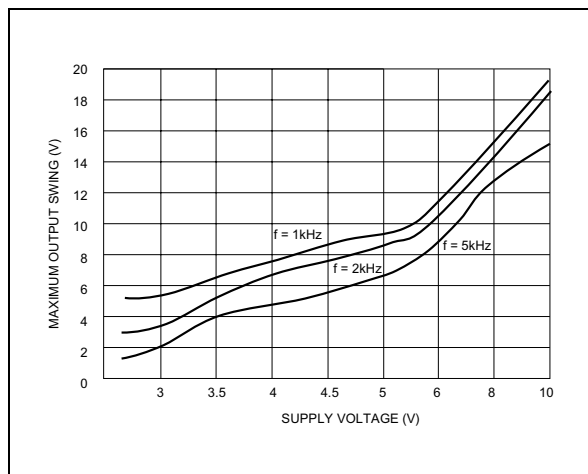
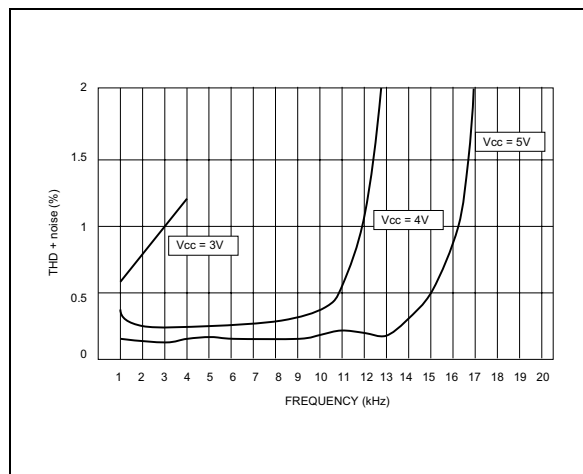


Figure 4 : Distorsion + Noise versus Frequency (Vo = 1Vrms)



Information furnished is believed to be accurate and reliable. However, STMicroelectronics assumes no responsibility for the consequences of use of such information nor for any infringement of patents or other rights of third parties which may result from its use. No license is granted by implication or otherwise under any patent or patent rights of STMicroelectronics. Specifications mentioned in this publication are subject to change without notice. This publication supersedes and replaces all information previously supplied. STMicroelectronics products are not authorized for use as critical components in life support devices or systems without express written approval of STMicroelectronics.

© The ST logo is a trademark of STMicroelectronics

© 1999 STMicroelectronics – Printed in Italy – All Rights Reserved

STMicroelectronics GROUP OF COMPANIES

Australia - Brazil - Canada - China - France - Germany - Italy - Japan - Korea - Malaysia - Malta - Mexico - Morocco
The Netherlands - Singapore - Spain - Sweden - Switzerland - Taiwan - Thailand - United Kingdom - U.S.A.

© <http://www.st.com>



LittleDiode supplies new, hard to find or obsolete electronic components and semiconductors all over the world.

With over two million different components listed you are sure to find the part you need.

Feel free to visit us today at our online store:

LittleDiode.com

Looking forward to providing you with the best possible service.