

TD310 USED IN A VOLTAGE QUADRUPLER

by R. LIOU

INTRODUCTION

The TD310 is a triple MOS or IGBT driver which integrates all functions suited for compact and highly secure driving such as adjustable Under Voltage Lockout feature (UVLO), sense comparator with alarm output and automatic shutdown, independent operational amplifier, enable pin, and global standby mode (e.g.: for portable applications).

The following describes how to generate a DC voltage 4 times higher than the supply voltage of the TD310. This voltage may be used as a 2.5W/60V DC supply.

PRINCIPLE

Please refer to Figure 1.

The buffer n°1 is used as an oscillator. The total swing of the oscillation is shifted of +V_{CC} due to the couple diode-capacitor D1,C1 (the real signal shift is +V_{CC}-0.6V due to the diode voltage drop). The couples D2,C2 and D3,C3 also shift this signal of +V_{CC} each. Due to the inverting function of each buffer, the maximum swing is applied at each oscillation cycle across each capacitor, ensuring maximum efficiency. The couple D4,C4, where C4 is a tank capacitor smooths the DC voltage which reaches approximately 4 times V_{CC}.

Figure 1 shows the voltage quadrupler application schematic, and Figure 2 shows the resulting traces when V_{CC}=15V:

- trace 1 : buffer n°1 output (oscillator)
- trace 2 : tank capacitor C4 output (DC voltage)

Figure 1

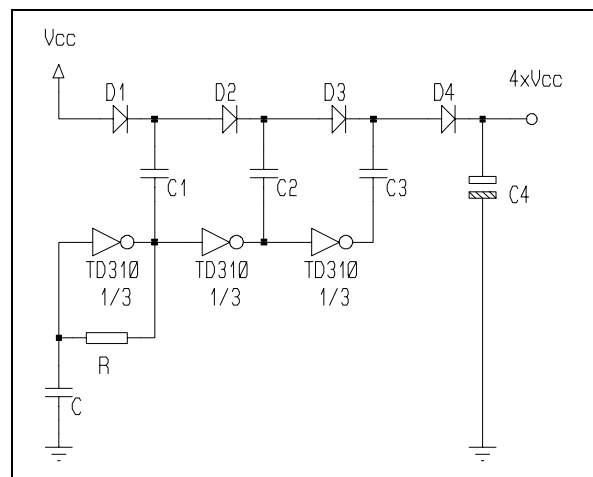
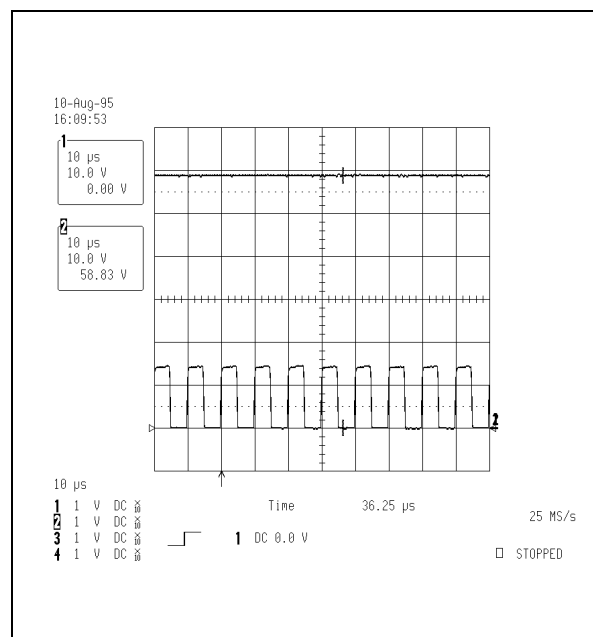


Figure 2



APPLICATION NOTE

DESIGN CONSIDERATIONS

To each triplet of capacitors C1, C2, C3 corresponds an optimal frequency of oscillation of the buffer 1.

The traces shown on Figure 2 have been realised with $C1=C2=C3=1\mu\text{F}$, at $V_{cc}=15\text{V}$ and 100kHz . Best efficiency is obtained with 50% oscillator duty cycle

The voltage across the tank capacitor C4 cannot exceed $4xV_{cc} - 4xV_d$ (diode voltage drop)

Figure 3 shows the voltage drop across the tank capacitor C4 ($10\mu\text{F}$) when a 1kW load is connected. The power dissipated in the load is:

$$\blacksquare U2/R = 522/103 = 2.7\text{W}$$

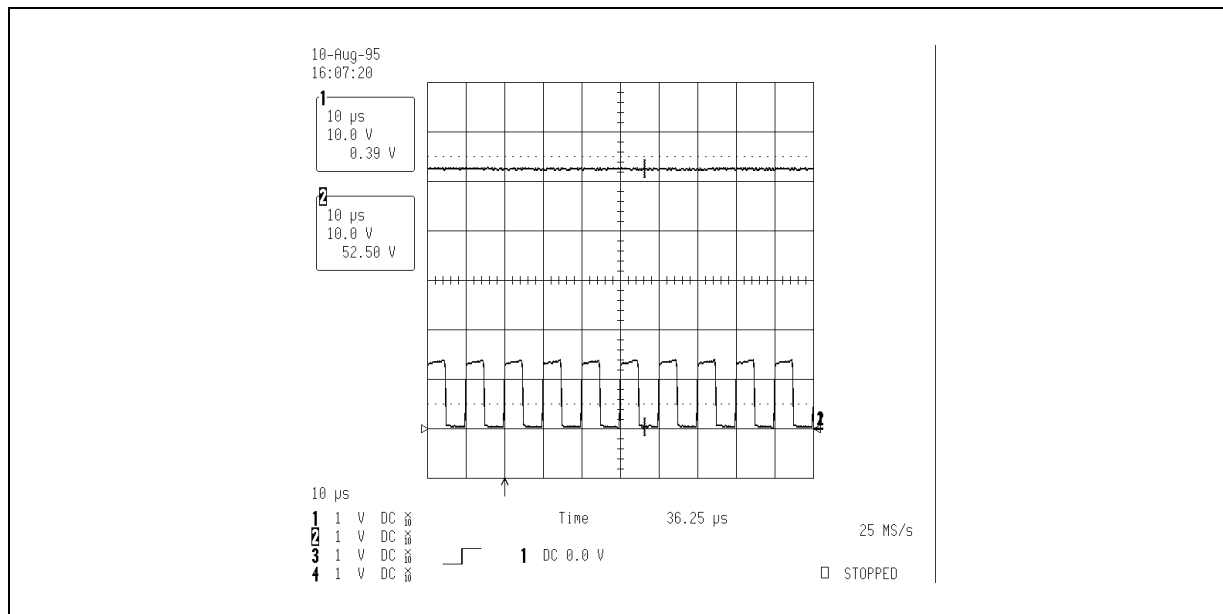
NOTES

As the TD310 can be supplied under a very wide supply voltage range, a 20V supply is achievable from a 5V supply.

The enable pin and standby mode are still available, as well as a comparator and an operational amplifier (eg: post regulation).

The same principle, using only two inverters can be used to make an NxV_{cc} DC voltage supply.

Figure 3



Information furnished is believed to be accurate and reliable. However, STMicroelectronics assumes no responsibility for the consequences of use of such information nor for any infringement of patents or other rights of third parties which may result from its use. No license is granted by implication or otherwise under any patent or patent rights of STMicroelectronics. Specifications mentioned in this publication are subject to change without notice. This publication supersedes and replaces all information previously supplied. STMicroelectronics products are not authorized for use as critical components in life support devices or systems without express written approval of STMicroelectronics.

© The ST logo is a trademark of STMicroelectronics

© 1999 STMicroelectronics – Printed in Italy – All Rights Reserved

STMicroelectronics GROUP OF COMPANIES

Australia - Brazil - Canada - China - France - Germany - Italy - Japan - Korea - Malaysia - Malta - Mexico - Morocco
The Netherlands - Singapore - Spain - Sweden - Switzerland - Taiwan - Thailand - United Kingdom - U.S.A.

© <http://www.st.com>



LittleDiode supplies new, hard to find or obsolete electronic components and semiconductors all over the world.

With over two million different components listed you are sure to find the part you need.

Feel free to visit us today at our online store:

LittleDiode.com

Looking forward to providing you with the best possible service.