

AN8360NK

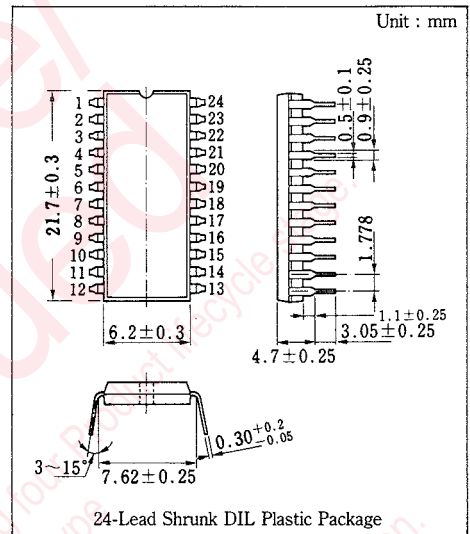
IC for Lead Battery Charger Control

■ Outline

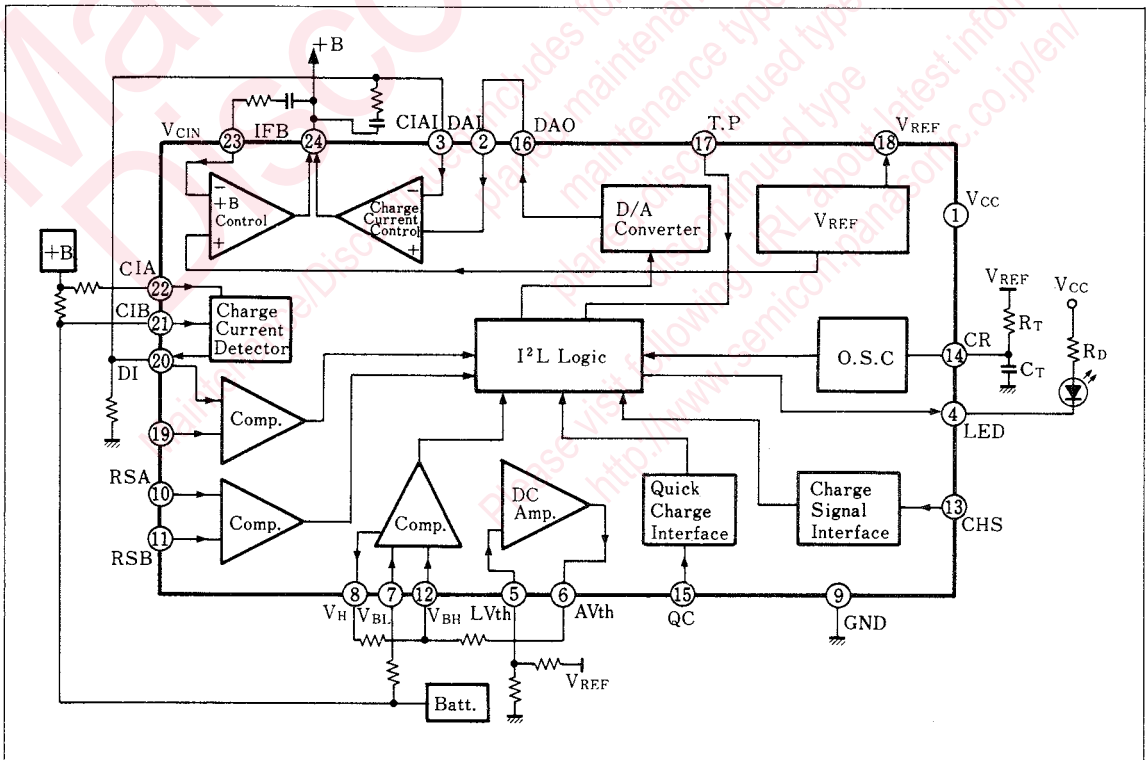
The AN8360NK is an integrated circuit suitable for controlling a rapid charging current for a lead battery. It can charge the lead battery safely and efficiently in a short time.

■ Features

- Charge current gradually decreases when charge of lead battery ends (by detecting voltage of battery)
- Charge of lead battery is possible in about an hour
- Charge reference signal is made up of 8-bit D/A converter



■ Block Diagram



■ Pin

Pin No.	Pin Name	Pin No.	Pin Name
1	V _{CC}	13	Charge Signal Input
2	Op. Amp. Input (1)	14	Oscillation Adjust
3	OP. Amp. Input (2)	15	Quick Charge Input
4	LED	16	DAC Output
5	DC. Amp. Input	17	Test Pin
6	DC. Amp. Output	18	Reference Voltage Output
7	CMP. Input (1)	19	LED Control
8	Hysteresis	20	Charge Current Detector (3)
9	GND	21	Charge Current Detector (2)
10	RESET (1)	22	Charge Current Detector (1)
11	RESET (2)	23	+B Adjust
12	COMP. Input (2)	24	Feed Back

■ Absolute Maximum Ratings (Ta = 25°C)

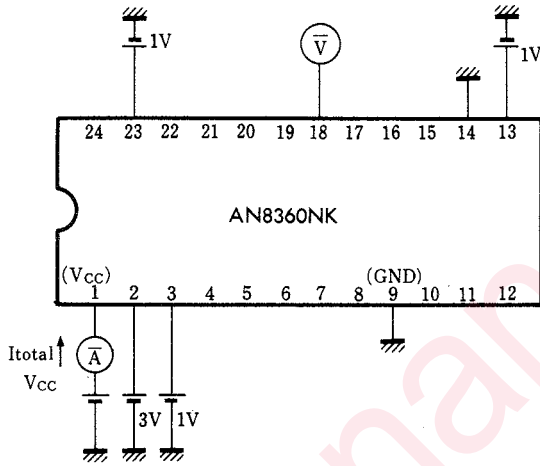
Item	Symbol	Rating	Unit
Supply voltage	V _{CC}	20	V
Supply current	I _{CC}	33	mA
Power dissipation	P _D	660	mW
Operating ambient temperature	T _{opr}	-20~+75	°C
Storage temperature	T _{stg}	-55~+150	°C

■ Electrical Characteristics (Ta = 25°C)

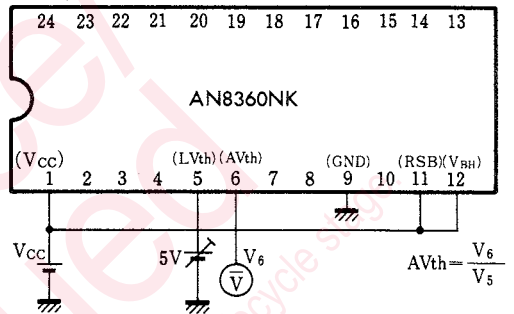
Item	Symbol	Test Circuit	Condition	min.	typ.	max.	Unit
No-load supply current	I _{tot(1)}	1	V _{CC} =18V	13.5	19	24.5	mA
Output voltage	V _{REF}	1	V _{CC} =18V	4.5	5	5.5	V
DC voltage amp. factor	A _{Vth}	2	V _{CC} =18V, 1V<V ₅ <4V	3.36	4	4.64	times
DAOH output voltage	V _{DAOH}	4	V _{CC} =18V	2.5	3.6	4.9	V
DAOL output voltage	V _{DAOL}	4	V _{CC} =18V	0.05	0.13	0.25	V
Linearity	A _{V20}	5	V _{CC} =18V, 18V>V ₂₂ >15V	0.7	1	1.3	
Oscillation frequency	f _{CR}	3	V _{CC} =18V	18	20	22	Hz
Bit 1 output voltage	ΔV ₁	4	V _{CC} =18V		13		mV
Bit 2 output voltage	ΔV ₂	4	V _{CC} =18V		26		mV
Bit 3 output voltage	ΔV ₃	4	V _{CC} =18V		50		mV
Bit 4 output voltage	ΔV ₄	4	V _{CC} =18V		110		mV
Bit 5 output voltage	ΔV ₅	4	V _{CC} =18V		220		mV
Bit 6 output voltage	ΔV ₆	4	V _{CC} =18V		440		mV
Bit 7 output voltage	ΔV ₇	4	V _{CC} =18V		880		mV
Bit 8 output voltage	ΔV ₈	4	V _{CC} =18V		1760		V

Note) Operating supply voltage range

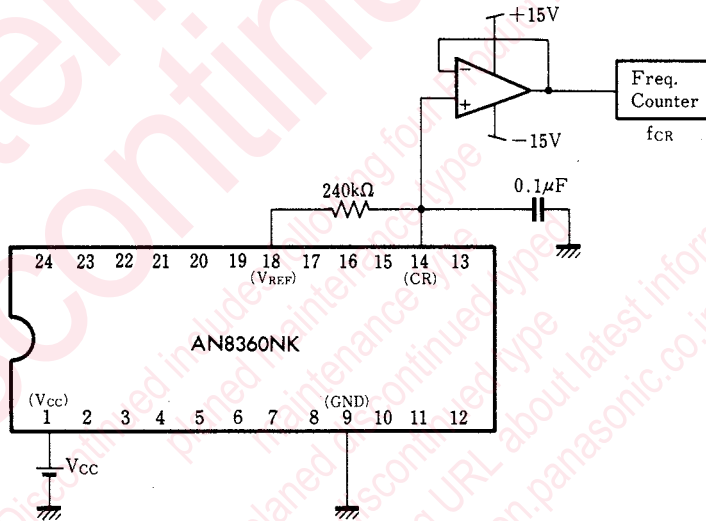
Test Circuit 1 (I_{tot} , V_{REF})



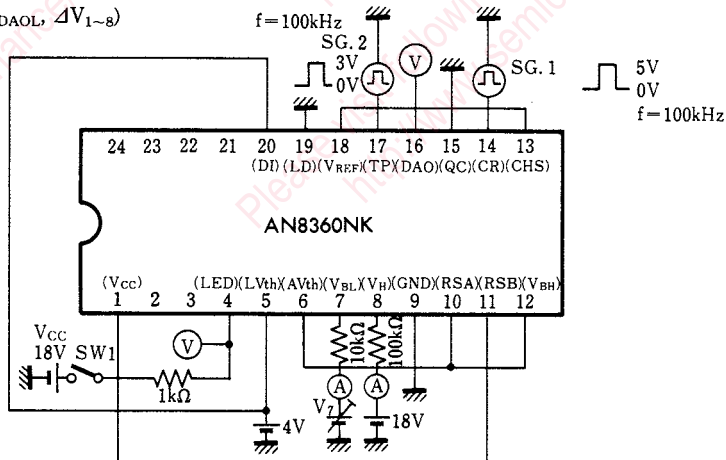
Test Circuit 2 (AV_{th})



Test Circuit 3 (f_{CR})



Test Circuit 4 (V_{DAOH} , $V_{DAO L}$, ΔV_{1-8})



[Functioning]

An application circuit of the AN8360NK is shown on a preceding page. This IC enters the charge mode by setting a charge signal to "H".

The following figure shows relations between a charging voltage and a charging current to describe a voltage detection-current sequential reduction type charging system.

This charging system detects a charge condition by detecting a voltage change between battery terminals. When charging starts, a battery terminal voltage rises as shown in the figure below, and simultaneously with this, a battery internal pressure also rises. Rapid charging is usually done with a current exceeding the nominal capacitance value of the battery.

To perform rapid charging safely and completely, therefore, it is necessary to prevent a rise of this internal pressure.

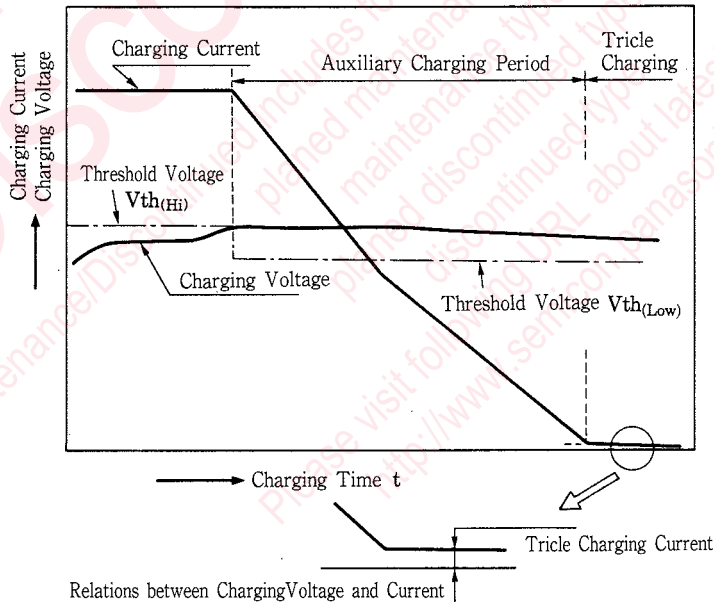
(Charge at about 1 A the battery whose nominal capacitance is 1 Ah.) For this reason, this charging system sets $V_{th(Mi)}$ to 70–80% of complete charging

When a battery voltage rises along with charging and reaches this $V_{th(Hi)}$, the system tapers a charging current and performs auxiliary charging, suppressing a rise of the internal pressure.

When charging is completed, trickle charging is performed in order to prevent a charging amount from being reduced. For the AN8360NK to perform charging above, threshold voltages $V_{th(Hi)}$ and $V_{th(Low)}$ are set by a DC amplifier and the threshold voltage is compared with a battery voltage by a hysteresis comparator, thus controlling how tapering of the charging current is started.

Also, the charging current is voltage-converted by a current detection circuit, and the charging power supply is controlled to that this charging current will follow an 8-bit DAC output voltage. A tapered charging current is produced, by counting down the 8-bit DAC, as its reference signal.

Setting the constants allows rapid charging of 4-12 V lead batteries. A charging time is generally about 80 min., although it depends on a battery condition.



Request for your special attention and precautions in using the technical information and semiconductors described in this book

- (1) If any of the products or technical information described in this book is to be exported or provided to non-residents, the laws and regulations of the exporting country, especially, those with regard to security export control, must be observed.
- (2) The technical information described in this book is intended only to show the main characteristics and application circuit examples of the products. No license is granted in and to any intellectual property right or other right owned by Panasonic Corporation or any other company. Therefore, no responsibility is assumed by our company as to the infringement upon any such right owned by any other company which may arise as a result of the use of technical information described in this book.
- (3) The products described in this book are intended to be used for standard applications or general electronic equipment (such as office equipment, communications equipment, measuring instruments and household appliances).
Consult our sales staff in advance for information on the following applications:
 - Special applications (such as for airplanes, aerospace, automobiles, traffic control equipment, combustion equipment, life support systems and safety devices) in which exceptional quality and reliability are required, or if the failure or malfunction of the products may directly jeopardize life or harm the human body.
 - Any applications other than the standard applications intended.
- (4) The products and product specifications described in this book are subject to change without notice for modification and/or improvement. At the final stage of your design, purchasing, or use of the products, therefore, ask for the most up-to-date Product Standards in advance to make sure that the latest specifications satisfy your requirements.
- (5) When designing your equipment, comply with the range of absolute maximum rating and the guaranteed operating conditions (operating power supply voltage and operating environment etc.). Especially, please be careful not to exceed the range of absolute maximum rating on the transient state, such as power-on, power-off and mode-switching. Otherwise, we will not be liable for any defect which may arise later in your equipment.
 - Even when the products are used within the guaranteed values, take into the consideration of incidence of break down and failure mode, possible to occur to semiconductor products. Measures on the systems such as redundant design, arresting the spread of fire or preventing glitch are recommended in order to prevent physical injury, fire, social damages, for example, by using the products.
- (6) Comply with the instructions for use in order to prevent breakdown and characteristics change due to external factors (ESD, EOS, thermal stress and mechanical stress) at the time of handling, mounting or at customer's process. When using products for which damp-proof packing is required, satisfy the conditions, such as shelf life and the elapsed time since first opening the packages.
- (7) This book may be not reprinted or reproduced whether wholly or partially, without the prior written permission of our company.



LittleDiode supplies new, hard to find or obsolete electronic components and semiconductors all over the world.

With over two million different components listed you are sure to find the part you need.

Feel free to visit us today at our online store:

LittleDiode.com

Looking forward to providing you with the best possible service.