

AN8303S

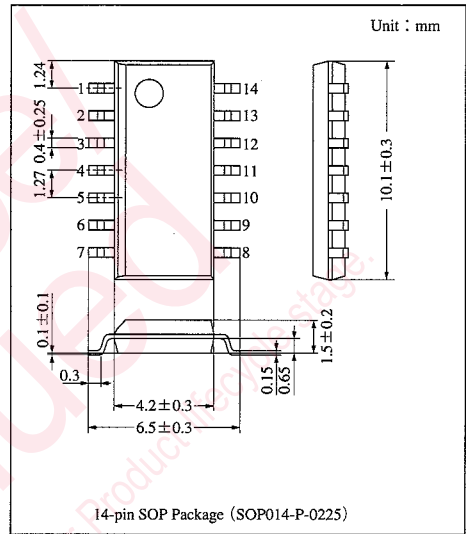
4-ch, Optical Disk Head Amp. IC

Overview

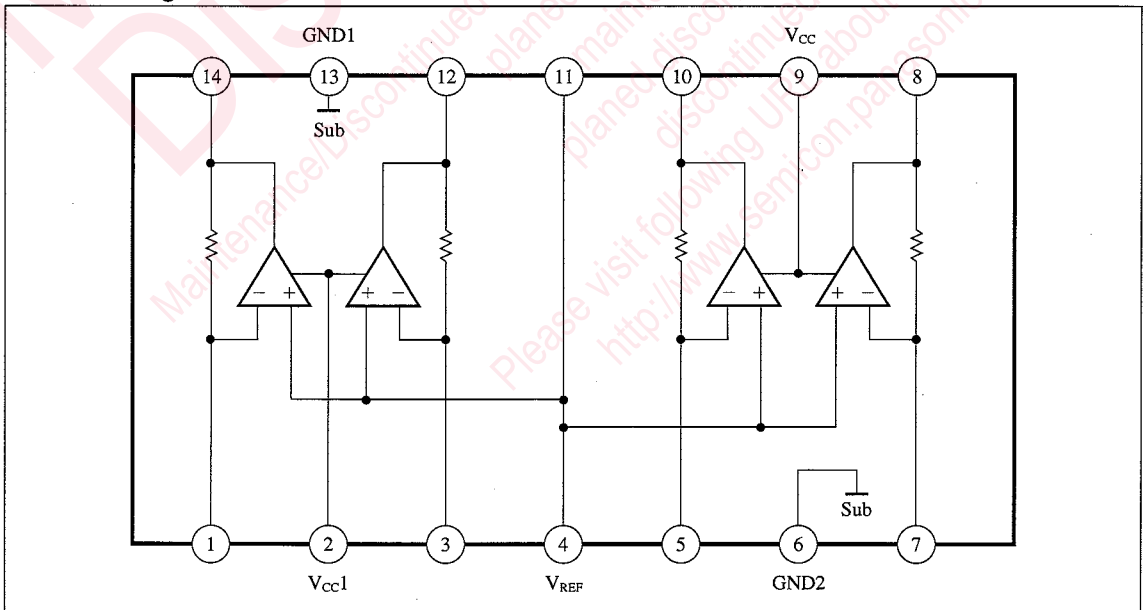
The AN8303S is a head amplifier IC for MO, CD-R, CD and DVD. The 4ch. head amplifier incorporating the resistor is built in one package. It is designed, taking into consideration the relative accuracy, and is featured by small dispersion particular to 4ch. However, it is easy to oscillate for its wide band width design, and may oscillate under some mounting conditions. The supply voltage is typically 12V. However, though its characteristics are changed, it can operate even with 5V and may be used.

Features

- 4-ch. head amplifier built-in
- Low offset voltage ($\pm 7\text{mV}$)
- High relative accuracy resistor built-in (Approx. $20\text{k}\Omega$, relative accuracy $\pm 2\%$)
- Wide band (Reference value : $f-3\text{dB}=\text{approx. }10\text{MHz}$)
- Low noise (Reference value : $-87\text{dBm}=58\text{nV}/\sqrt{\text{Hz}}$)
- Small offset voltage relative temperature change (Reference value : $\pm 60\ \mu\text{V}/^\circ\text{C}$)



Block Diagram



Pin Name

Pin No.	Symbol	Function	Pin No.	Symbol	Function
1	INA	A ch. input	8	OUT _D	D ch. output
2	V _{CC1}	Power supply 1	9	V _{CC2}	Power supply 2
3	INB	B ch. input	10	OUT _C	C ch. output
4	V _{REF}	Reference voltage	11	V _{REF}	Reference voltage
5	INC	C ch. input	12	OUT _B	B ch. output
6	G _{ND2}	Ground 2	13	G _{ND1}	Ground 1
7	IND	D ch. input	14	OUT _A	A ch. output

Absolute Maximum Rating (Ta=25°C)

Parameter	Symbol	Rating	Unit
Supply voltage ^{Note)}	V _{CC}	13.5	V
	V _{ref}	6.0	
Output terminal current (+)	+I _O	1	mA
Output terminal current (-)	-I _O	-1	mA
Power dissipation	P _D	190	mW
Operating ambient temperature	T _{opr}	-20 to +75	°C
Storage temperature	T _{stg}	-55 to +125	°C

Note) Do not set the V_{ref} over V_{CC}.

Recommended Operating Range (Ta=25°C)

Parameter	Symbol	Range
Operating supply voltage	V _{CC}	10V to 13V
	V _{ref}	4.5V to 5.5V

Electrical Characteristics (V_{CC}=12V, V_{ref}=5V, Ta=25±2°C)

Parameter	Symbol	Condition	min	typ	max	Unit
Supply current	I _{CC}	V _{CC} =12V, V _{ref} =5V	18	—	25	mA
Conversion resistance value	R	Measured under non-operation	18	—	22	kΩ
Conversion resistance dispersion	ΔR	Measured under non-operation : Difference from average	-2	—	+2	%
Offset voltage	V _{os}	V _{CC} =12V, V _{ref} =5V	-7	0	+7	mV
Offset voltage difference AB	ΔV _{os1}	V _{CC} =12V, V _{ref} =5V, V ₁₄ -V ₁₂	-5	—	+5	mV
Offset voltage difference CD	ΔV _{os2}	V _{CC} =12V, V _{ref} =5V, V ₁₀ -V ₈	-5	—	+5	mV
Offset voltage temperature drift difference	ΔV _{os,T}	Between A- and B-ch ; Between C- and D-ch	(-60)	—	(+60)	μV/°C
Maximum output amplitude	V _{oMax}	Input current 130 μA	(2.4)	—	(3.4)	V
Output impedance	Z _{OUT}	Output current ±500 μA	—	(1)	(20)	Ω
Cut-off frequency	f _{-3dB}	Input resistance 22KΩ	(8)	(10)	—	MHz
Output noise voltage	V _{NO}	f=5MHz ; VBW=1KHz RBW=30kHz	—	—	(-86)	dBm

Note) Characteristic value in () is a design reference value but not guaranteed one.

Request for your special attention and precautions in using the technical information and semiconductors described in this book

- (1) If any of the products or technical information described in this book is to be exported or provided to non-residents, the laws and regulations of the exporting country, especially, those with regard to security export control, must be observed.
- (2) The technical information described in this book is intended only to show the main characteristics and application circuit examples of the products. No license is granted in and to any intellectual property right or other right owned by Panasonic Corporation or any other company. Therefore, no responsibility is assumed by our company as to the infringement upon any such right owned by any other company which may arise as a result of the use of technical information described in this book.
- (3) The products described in this book are intended to be used for standard applications or general electronic equipment (such as office equipment, communications equipment, measuring instruments and household appliances).
Consult our sales staff in advance for information on the following applications:
 - Special applications (such as for airplanes, aerospace, automobiles, traffic control equipment, combustion equipment, life support systems and safety devices) in which exceptional quality and reliability are required, or if the failure or malfunction of the products may directly jeopardize life or harm the human body.
 - Any applications other than the standard applications intended.
- (4) The products and product specifications described in this book are subject to change without notice for modification and/or improvement. At the final stage of your design, purchasing, or use of the products, therefore, ask for the most up-to-date Product Standards in advance to make sure that the latest specifications satisfy your requirements.
- (5) When designing your equipment, comply with the range of absolute maximum rating and the guaranteed operating conditions (operating power supply voltage and operating environment etc.). Especially, please be careful not to exceed the range of absolute maximum rating on the transient state, such as power-on, power-off and mode-switching. Otherwise, we will not be liable for any defect which may arise later in your equipment.
 - Even when the products are used within the guaranteed values, take into the consideration of incidence of break down and failure mode, possible to occur to semiconductor products. Measures on the systems such as redundant design, arresting the spread of fire or preventing glitch are recommended in order to prevent physical injury, fire, social damages, for example, by using the products.
- (6) Comply with the instructions for use in order to prevent breakdown and characteristics change due to external factors (ESD, EOS, thermal stress and mechanical stress) at the time of handling, mounting or at customer's process. When using products for which damp-proof packing is required, satisfy the conditions, such as shelf life and the elapsed time since first opening the packages.
- (7) This book may be not reprinted or reproduced whether wholly or partially, without the prior written permission of our company.



LittleDiode supplies new, hard to find or obsolete electronic components and semiconductors all over the world.

With over two million different components listed you are sure to find the part you need.

Feel free to visit us today at our online store:

LittleDiode.com

Looking forward to providing you with the best possible service.