

AN8130K

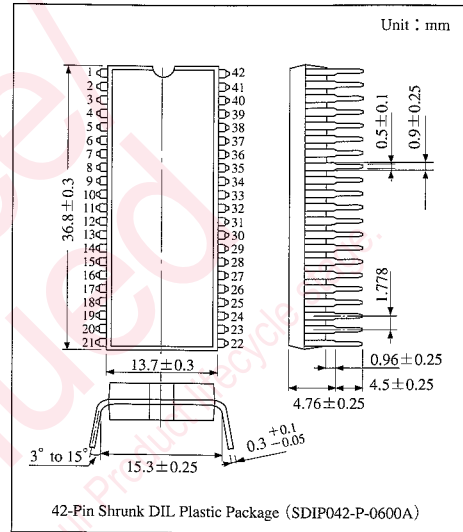
High-speed and Low Power Consumption 10-bit A/D Converter IC

Overview

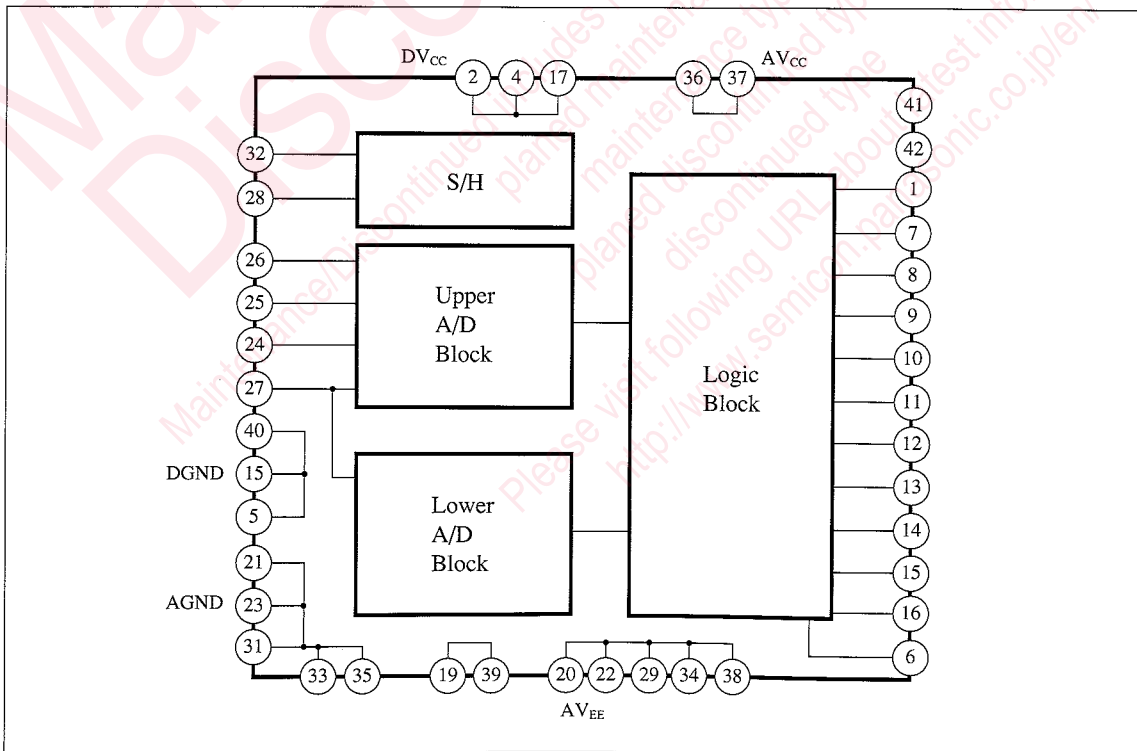
The AN8130K is a 10-bit A/D converter for video processing and it offers low power consumption adopting Bi-CMOS process.

Features

- 10-bit resolution
- High speed : max. conversion rate 20MSPS
- Low power consumption : 750mW
- S/H circuit built-in
- Serial/parallel type



Block Diagram



Absolute Maximum Ratings (Ta=25°C)

Parameter	Symbol	Rating	Unit
Supply voltage	V _{EE}	-6 to +0.5	V
	V _{CC}	-0.5 to +6	V
Analog input voltage	V _{IN}	V _{EE} to V _{CC}	V
Digital input voltage	V _{CLKSH} /V _{CLKAD}	-0.5 to V _{CC} +0.5	V
Reference voltage	V _{RB} /V _{RT}	V _{EE} to +0.5	V
Digital output current	I _{OH}	-15	mA
Power dissipation	P _D	1100	mW
Operating ambient temperature	T _{opr}	-20 to +70	°C
Storage temperature	T _{stg}	-55 to +150	°C

Recommended Operating Range (Ta=25°C)

Parameter	Symbol	min	typ	max	Unit
Positive supply voltage	V _{CC}	4.75	5	5.25	V
Negative supply voltage	V _{EE}	-5.25	-5	-4.75	V
Reference voltage	V _{RT}	—	0	—	V
	V _{RB}	—	-2	—	V
Analog input voltage	V _{IN}	V _{RB}	—	V _{RT}	V
Digital input voltage	V _{IH}	2	—	4	V
	V _{IL}	0	—	0.8	V
Digital output current	I _{OH}	—	-0.4	—	mA
	I _{OL}	—	1.6	—	mA
S/H clock input pulse width	t _H *	15	20	—	ns
A/D clock input pulse width	t _H *	35	40	—	ns

* At f_{CLK} = 16MHz

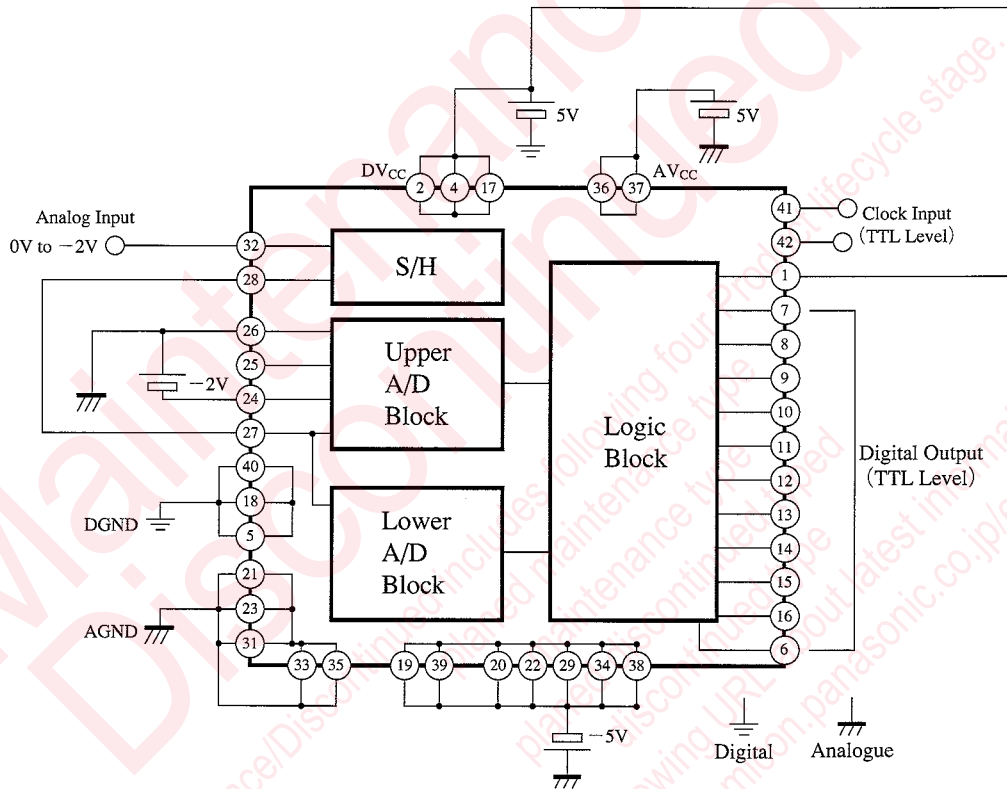
Electrical Characteristics (V_{CC}=5V, V_{EE}=-5V, Ta=25°C)

Parameter	Symbol	Condition	min	typ	max	Unit
Supply current	DI _{CC}		—	5	10	mA
	AI _{CC}		—	14	28	mA
	I _{EE}		-164	-131	—	mA
Reference resistor current	I _{RT}	V _{RT} =0V	2.4	3	3.6	mA
	I _{RB}	V _{RB} =-2V	-3.6	-3	-2.4	mA
Input bias current	I _{IN}	V _{INSB} =-1V	—	10	100	μA
Clock input current	I _{IH}	V _{CLKAD} =V _{CLKSH} =2.7V	—	1	8	μA
	I _{IL}	V _{CLKAD} =V _{CLKSH} =0.4V	—	1	8	μA
Digital output voltage	V _{OH}	I _{OB} =-400 μA	2.7	3.4	—	V
	V _{OL}	I _{OL} =1.6mA	—	—	0.4	V
Linearity error	E _L	V _{IN} =2V _{PP}	—	±1	—	LSB
Differential linearity error	E _D	V _{IN} =2V _{PP}	—	±0.5	±1	LSB
Maximum conversion rate	F _C	V _{IN} =2V _{PP}	20	—	—	MSPS
Quantization noise	S/N	f _{CLK} =16MHz, f _{IN} =1MHz	—	53	—	dB
		f _{CLK} =16MHz, f _{IN} =8MHz	—	49	—	dB
		f _{CLK} =20MHz, f _{IN} =1MHz	—	52	—	dB
		f _{CLK} =20MHz, f _{IN} =8MHz	—	47	—	dB

■ Electrical Characteristics (cont.) ($V_{CC}=5V, V_{EE}=-5V, T_a=25^{\circ}C$)

Parameter	Symbol	Condition	min	typ	max	Unit
Differential gain	DG	IRE standard 15kHz Sawtooth 40% subcarrier $f_{CLK}=20MHz$, Nolock	—	0.5	1	%
Differential phase	DP		—	0.5	1	deg
Digital output delay	τ_d		—	33	—	ns
Clock delay	τ_{CLK}	$f_{CLK}=16MHz$	-5	0	5	ns
Input capacitance	C_{IN}		—	10	—	pF
Input offset voltage	V_{OFS}		—	0	—	V

■ Application Circuit



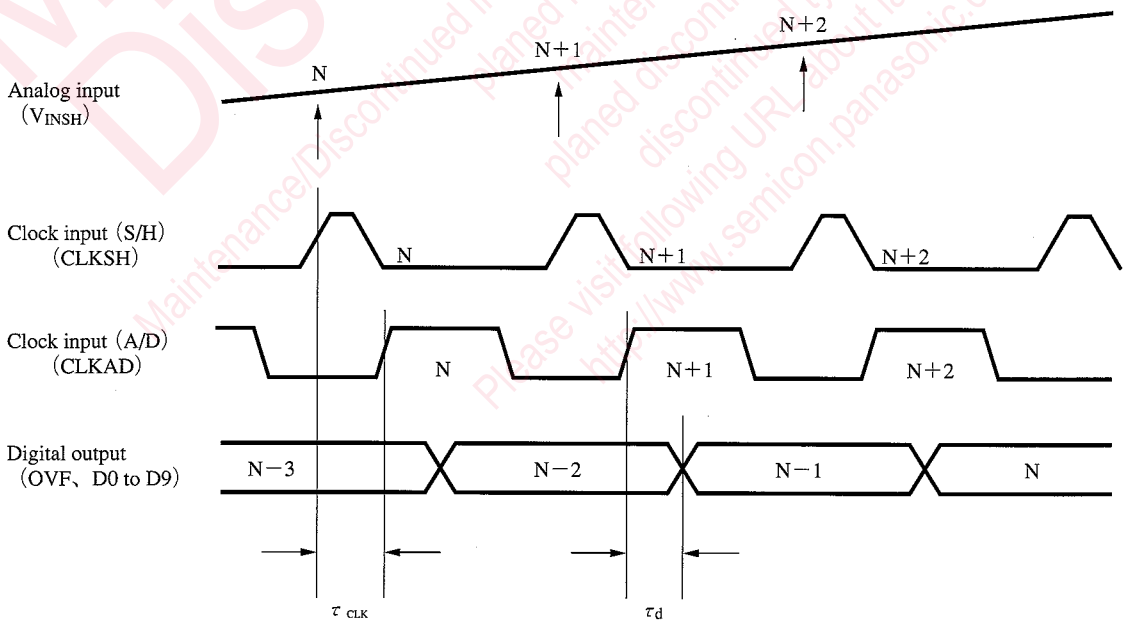
■ Pin Descriptions

Pin No.	Symbol	Description	Typ. waveform	Voltage level	Pin No.	Symbol	Description	Typ. waveform	Voltage level
1	INV	Digital output inversion pin	—	TTL	22	AV _{EE}	Analog negative supply voltage	—	-5V
2	DV _{CC}	Digital positive supply voltage	—	5V	23	AGND	Analog GND	—	0V
3	N.C.	Non connection	—	—	24	V _{RB}	Reference voltage low level	—	-2V
4	DV _{CC}	Digital positive supply voltage	—	5V	25	V _{RM}	Reference voltage midpoint level	—	—
5	DGND	Digital GND	—	0V	26	V _{RT}	Reference voltage high level	—	0V
6	OVF	Overflow pin	Refer to the timing chart.	TTL	27	V _{INAD}	Analog input (A/D)	⌚	0 to -2V
7	D0	Digital output (LSB)			28	V _{OSH}	Analog output (S/H)	⌚	0 to -2V
8	D1	Digital output			29	AV _{EE}	Analog negative supply voltage	—	-5V
9	D2	Digital output			30	NC	Non connection	—	—
10	D3	Digital output			31	AGND	Analog GND	—	0V
11	D4	Digital output			32	V _{INSH}	Analog input (S/H)	⌚	0 to -2V
12	D5	Digital output			33	AGND	Analog GND	—	0V
13	D6	Digital output			34	AV _{EE}	Analog negative supply voltage	—	-5V
14	D7	Digital output			35	AGND	Analog GND	—	0V
15	D8	Digital output			36	AV _{CC}	Analog positive supply voltage	—	5V
16	D9	Digital output (MSB)	37	AV _{CC}	Analog positive supply voltage	—	5V		
17	DV _{CC}	Digital positive supply voltage	—	5V	38	AV _{EE}	Analog negative supply voltage	—	-5V
18	DGND	Digital GND	—	0V	39	AV _{EE}	Analog negative supply voltage	—	-5V
19	AV _{EE}	Analog negative supply voltage	—	-5V	40	DGND	Digital GND	—	0V
20	AV _{EE}	Analog negative supply voltage	—	-5V	41	CLKSH	Clock input (S/H)	Refer to the timing chart.	TTL
21	AGND	Analog GND	—	0V	42	CLKAD	Clock input (A/D)		

ICs for TV

■ Supplementary Explanation

• Timing Chart



■ Supplementary Explanation (cont.)

• Output Code

Step	Input signal	Digital output	
	2.000VFS 1.953mV STEP	OVFM	L
		0123456789	
	INV = "H"		
000	-0.000000	0000000000	
001	-0.001953	0000000001	
.	.	.	
.	.	.	
511	-0.998047	0011111111	
512	-1.000000	0100000000	
513	-1.001953	0100000001	
.	.	.	
.	.	.	
1023	-1.998047	0111111111	
1024	-2.000000	1111111111	

Request for your special attention and precautions in using the technical information and semiconductors described in this book

- (1) If any of the products or technical information described in this book is to be exported or provided to non-residents, the laws and regulations of the exporting country, especially, those with regard to security export control, must be observed.
- (2) The technical information described in this book is intended only to show the main characteristics and application circuit examples of the products. No license is granted in and to any intellectual property right or other right owned by Panasonic Corporation or any other company. Therefore, no responsibility is assumed by our company as to the infringement upon any such right owned by any other company which may arise as a result of the use of technical information described in this book.
- (3) The products described in this book are intended to be used for standard applications or general electronic equipment (such as office equipment, communications equipment, measuring instruments and household appliances).
Consult our sales staff in advance for information on the following applications:
 - Special applications (such as for airplanes, aerospace, automobiles, traffic control equipment, combustion equipment, life support systems and safety devices) in which exceptional quality and reliability are required, or if the failure or malfunction of the products may directly jeopardize life or harm the human body.
 - Any applications other than the standard applications intended.
- (4) The products and product specifications described in this book are subject to change without notice for modification and/or improvement. At the final stage of your design, purchasing, or use of the products, therefore, ask for the most up-to-date Product Standards in advance to make sure that the latest specifications satisfy your requirements.
- (5) When designing your equipment, comply with the range of absolute maximum rating and the guaranteed operating conditions (operating power supply voltage and operating environment etc.). Especially, please be careful not to exceed the range of absolute maximum rating on the transient state, such as power-on, power-off and mode-switching. Otherwise, we will not be liable for any defect which may arise later in your equipment.
 - Even when the products are used within the guaranteed values, take into the consideration of incidence of break down and failure mode, possible to occur to semiconductor products. Measures on the systems such as redundant design, arresting the spread of fire or preventing glitch are recommended in order to prevent physical injury, fire, social damages, for example, by using the products.
- (6) Comply with the instructions for use in order to prevent breakdown and characteristics change due to external factors (ESD, EOS, thermal stress and mechanical stress) at the time of handling, mounting or at customer's process. When using products for which damp-proof packing is required, satisfy the conditions, such as shelf life and the elapsed time since first opening the packages.
- (7) This book may be not reprinted or reproduced whether wholly or partially, without the prior written permission of our company.



LittleDiode supplies new, hard to find or obsolete electronic components and semiconductors all over the world.

With over two million different components listed you are sure to find the part you need.

Feel free to visit us today at our online store:

LittleDiode.com

Looking forward to providing you with the best possible service.