

AN8086S

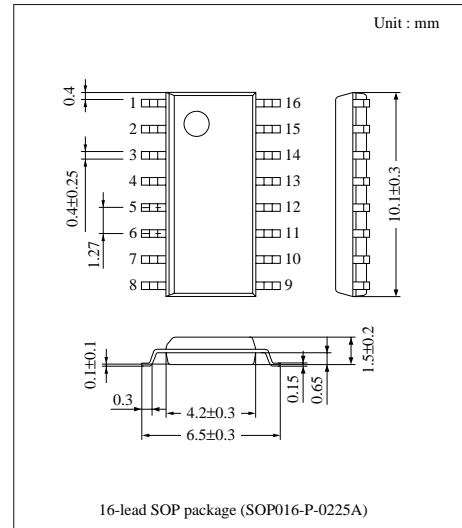
Low Voltage Operation IC for DC-DC Converter

■ Overview

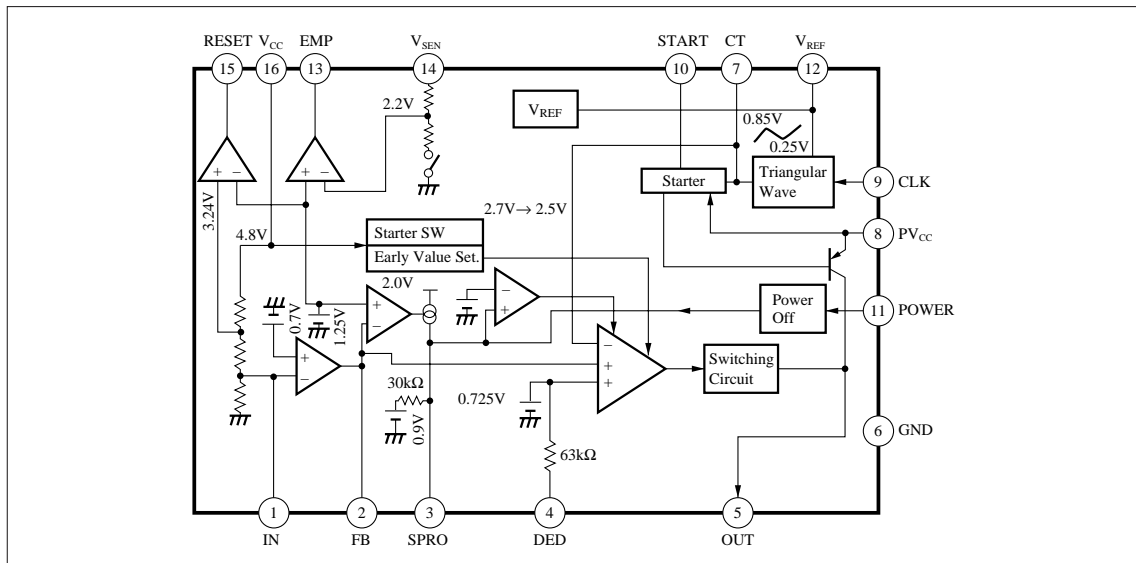
The AN8086S is an IC for controlling a DC-DC converter suitable for the switching power supply of various portable equipment. It can operate with input voltage 1.1V or more. The AN8086S is based on AN8083S with the output voltage in the secondary side changed to 3.6V.

■ Features

- Operable with low voltage input ($PV_{CC} > 1.1V$)
- Decreased voltage detection circuit built-in
- Short-circuit protection feature built-in
- Provided with reset output
- Synchronizable with outside clock
- Low consumption current in stand-by mode



■ Block Diagram



■ Absolute Maximum Ratings (Ta=25°C)

Parameter	Symbol	Rating	Unit
Supply Voltage	V _{CC}	14.4	V
	PV _{CC}	14.4	
Power Dissipation	P _D	380	mW
Operating Ambient Temperature	T _{opr}	-20 ~ +75	°C
Storage Temperature	T _{stg}	-55 ~ +125	°C

■ Recommended Operating Range (Ta=25°C)

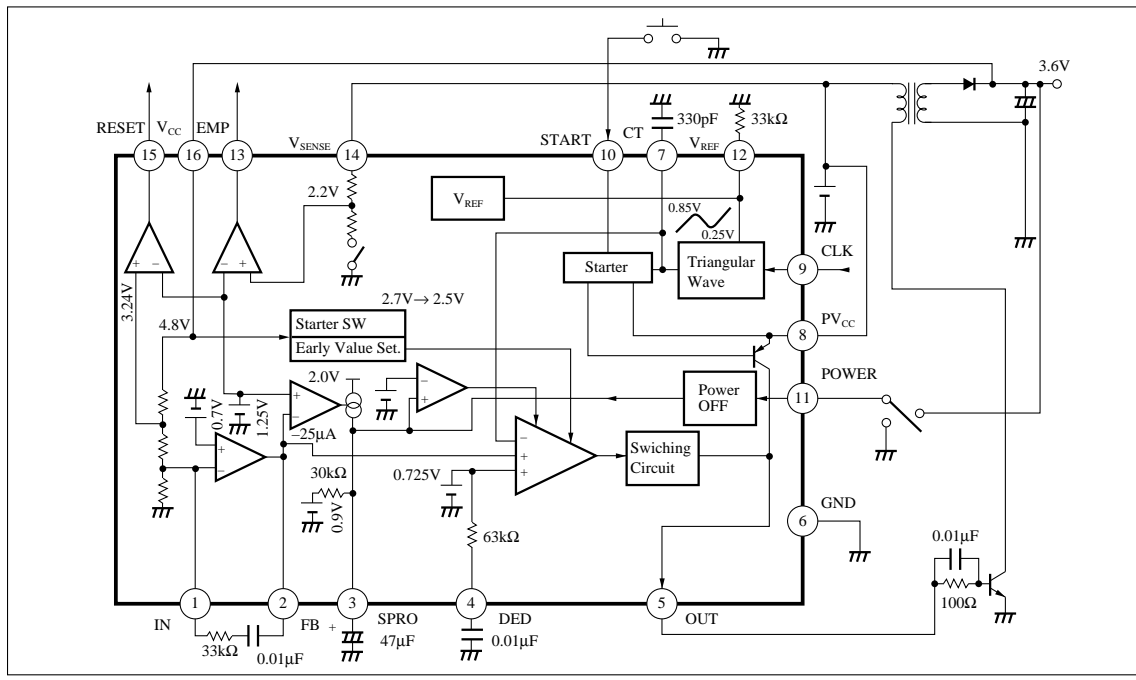
Parameter	Symbol	Range
Operating Supply Voltage Range	V _{CC}	3.6V ~ 12V
	PV _{CC}	1.1V ~ 12V

■ Electrical Characteristics (Ta=25°C)

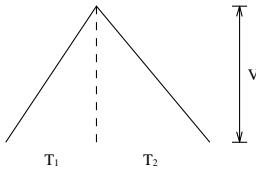
Parameter	Symbol	Condition	min.	typ.	max.	Unit
Power V _{CC} Stand-by Mode Supply Current	I _{PVCC}	V _{CC} =0V, PV _{CC} =3V	—	—	2	μA
Power V _{CC} No Load Supply Current	I _{PVCC}	V _{CC} =3.1V, PV _{CC} =3V	—	1.2	3	mA
Output Voltage	V _O		—	3.6	—	V
Reset Output Threshold Voltage	V _{TH (RESET)}		V _{TH} ×0.85	V _{TH} ×9	V _{TH} ×0.95	V
Decreased Voltage Detection Threshold Voltage	V _{TH (VSEN)}		2.1	2.2	2.3	V
Short-Circuit Protection Operating Voltage	V _{O (SPRO)}	V _{IN} =0V, V _{POWER} =2V	1.35	—	2.1	V
Short-Circuit Protection Operating Voltage	V _{O (SPRO)}	V _{IN} =1V, V _{POWER} =0V	1.7	—	3.2	V
Triangular oscillation Frequency in Normal Operation	f _{OSC1}	R _{REF} =33kΩ, CT=330pF	60	70	80	kHz
Triangular oscillation Frequency at Start	f _{OSC2}	R _{REF} =33kΩ, CT=330pF V _{CC} =1.9V, PV _{CC} =3V	80	100	120	kHz
Output Voltage	V _{OH (OUT)}	I _O =-20mA, V _{CT} =0V	1.2	—	1.6	V
Output Voltage	V _{OL (OUT)}	I _O =20mA, V _{CT} =1V	—	—	0.4	V

Note) Unless otherwise specified, V_{CC}=4.8V, PV_{CC}=3V

■ Application Circuit Example



■ Pin Description

Pin No.	Symbol	Description
1	IN	<ul style="list-style-type: none"> • Input pin for error amplifier • Threshold voltage ; 0.7V
2	FB	<ul style="list-style-type: none"> • Output pin for error amplifier
3	SPRO	<ul style="list-style-type: none"> • Short-circuit protection input pin If output of error amplifier does not become "L" when $t = CV_{th}/I_{SPRO}$ output of IC is not switched. $I_{SPRO} = 25\mu A$ $V_{th} = 0.9V$
4	DED	<ul style="list-style-type: none"> • Dead time control input Maximum duty ratio set to 85%.
5	OUT	<ul style="list-style-type: none"> • Switching output pin Output current ; $I_O = 20mA$ (max.)
6	GND	<ul style="list-style-type: none"> • GND pin
7	CT	<ul style="list-style-type: none"> • Triangular oscillating capacitor pin <div style="display: flex; align-items: center; justify-content: center;">  <div style="margin-left: 20px;"> $T_1 = \frac{CV}{I \text{ (Discharged)}}$ $T_2 = \frac{CV}{I \text{ (Charged)}}$ $f = \frac{1}{T_1 + T_2}$ </div> <div style="border: 1px solid black; padding: 5px; margin-left: 20px; width: fit-content;"> $I \text{ (Discharged)} = 52\mu A$ $I \text{ (Charged)} = 30\mu A$ $V = 0.58V$ </div> </div> <p style="text-align: right; margin-right: 50px;">In normal operation</p>
8	PV _{CC}	<ul style="list-style-type: none"> • DC voltage input pin Operates with 1.1V or more.
9	CLK	<ul style="list-style-type: none"> • Clock input · It is used to synchronize triangular oscillation with clock input and operates at rise edge of clock. · The threshold level is TTL level. · It is open when not used.
10	START	<ul style="list-style-type: none"> • Start pin · Starts switching of starter (start at "L") · Threshold voltage, PV_{CC} - 0.9V
11	POWER	<ul style="list-style-type: none"> • Power ON/OFF pin Output ON/OFF switching pin (Output is off at "L.")
12	V _{REF}	<ul style="list-style-type: none"> • Reference voltage pin · 1.25V output · Charged and discharged current of triangular oscillation is determined by external R. $I \text{ (Charged)} = \frac{V_{REF} - 0.7}{R_{REF} + 1k\Omega}$ $I \text{ (Discharged)} = 1.40 \times I \text{ (Charged)}$
13	EMP	<ul style="list-style-type: none"> • Decreased voltage detection output pin "H" when detected by open collector output form
14	V _{SEN}	<ul style="list-style-type: none"> • Decreased voltage detection input pin · Threshold voltage ; 2.2V
15	Reset	<ul style="list-style-type: none"> • Reset output pin · "H" when V_{CC} becomes V_O × 0.9V or more · Open collector output form
16	V _{CC}	<ul style="list-style-type: none"> • DC voltage input pin Operates with 3.6V or more.

Request for your special attention and precautions in using the technical information and semiconductors described in this material

- (1) An export permit needs to be obtained from the competent authorities of the Japanese Government if any of the products or technologies described in this material and controlled under the "Foreign Exchange and Foreign Trade Law" is to be exported or taken out of Japan.
- (2) The technical information described in this material is limited to showing representative characteristics and applied circuit examples of the products. It does not constitute the warranting of industrial property, the granting of relative rights, or the granting of any license.
- (3) The products described in this material are intended to be used for standard applications or general electronic equipment (such as office equipment, communications equipment, measuring instruments and household appliances).
Consult our sales staff in advance for information on the following applications:
 - Special applications (such as for airplanes, aerospace, automobiles, traffic control equipment, combustion equipment, life support systems and safety devices) in which exceptional quality and reliability are required, or if the failure or malfunction of the products may directly jeopardize life or harm the human body.
 - Any applications other than the standard applications intended.
- (4) The products and product specifications described in this material are subject to change without notice for reasons of modification and/or improvement. At the final stage of your design, purchasing, or use of the products, therefore, ask for the most up-to-date Product Standards in advance to make sure that the latest specifications satisfy your requirements.
- (5) When designing your equipment, comply with the guaranteed values, in particular those of maximum rating, the range of operating power supply voltage and heat radiation characteristics. Otherwise, we will not be liable for any defect which may arise later in your equipment.
Even when the products are used within the guaranteed values, redundant design is recommended, so that such equipment may not violate relevant laws or regulations because of the function of our products.
- (6) When using products for which dry packing is required, observe the conditions (including shelf life and after-unpacking standby time) agreed upon when specification sheets are individually exchanged.
- (7) No part of this material may be reprinted or reproduced by any means without written permission from our company.

Please read the following notes before using the datasheets

- A. These materials are intended as a reference to assist customers with the selection of Panasonic semiconductor products best suited to their applications.
Due to modification or other reasons, any information contained in this material, such as available product types, technical data, and so on, is subject to change without notice.
Customers are advised to contact our semiconductor sales office and obtain the latest information before starting precise technical research and/or purchasing activities.
- B. Panasonic is endeavoring to continually improve the quality and reliability of these materials but there is always the possibility that further rectifications will be required in the future. Therefore, Panasonic will not assume any liability for any damages arising from any errors etc. that may appear in this material.
- C. These materials are solely intended for a customer's individual use.
Therefore, without the prior written approval of Panasonic, any other use such as reproducing, selling, or distributing this material to a third party, via the Internet or in any other way, is prohibited.



LittleDiode supplies new, hard to find or obsolete electronic components and semiconductors all over the world.

With over two million different components listed you are sure to find the part you need.

Feel free to visit us today at our online store:

LittleDiode.com

Looking forward to providing you with the best possible service.