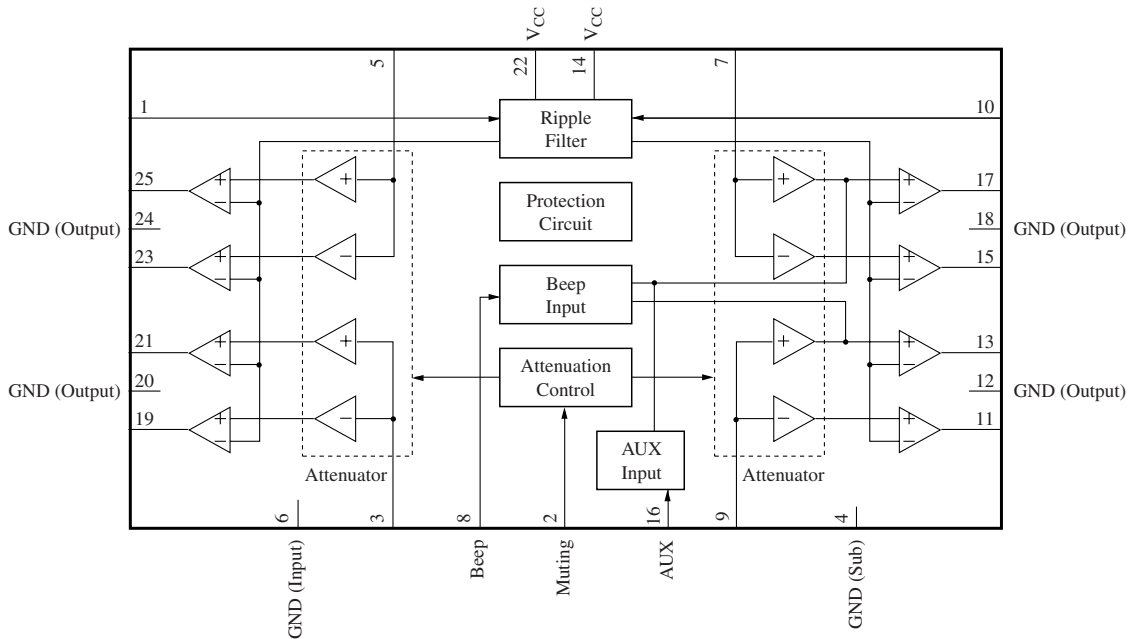




## ■ Block Diagram



## ■ Pin Descriptions

Pin No.	Description	Pin No.	Description
1	Ripple filter	14	Supply voltage $V_{CC}$
2	Mute	15	ch.2 – output
3	ch.3 input	16	AUX input
4	GND (Sub)	17	ch.2 + output
5	ch.4 input	18	GND (ch.2 output)
6	GND (Input)	19	ch.3 – output
7	ch.2 input	20	GND (ch.3 output)
8	Beep input	21	ch.3 + output
9	ch.1 input	22	Supply voltage $V_{CC}$
10	Standby	23.	ch.4 – output
11	ch.1 – output	24	GND (ch.4 output)
12	GND (ch.1 output)	25	ch.4 + output
13	ch.1 + output		

Note) The output pin requires no capacitor and resistor for oscillation prevention.

If those are required for countermeasure against noise, be sure to use after confirmation.

### ■ Absolute Maximum Ratings

Parameter	Symbol	Rating	Unit
Supply voltage *2	$V_{CC}$	25	V
Peak power-supply-voltage *3	$V_{Surge}$	65	V
Supply current	$I_{CC}$	12	A
Power dissipation *4	$P_D$	59	W
Operating ambient temperature *1	$T_{opr}$	-30 to +85	°C
Storage temperature *1	$T_{stg}$	-55 to +150	°C

Note) \*1 :  $T_a = 25\text{ °C}$  except power dissipation, operating ambient temperature and storage temperature.

\*2 : Without signal

\*3 : Time = 0.2 s

\*4 :  $T_a = 85\text{ °C}$

### ■ Recommended Operating Range

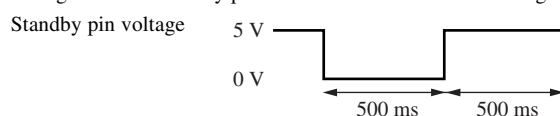
Parameter	Symbol	Range	Unit
Supply voltage	$V_{CC}$	8.0 to 18.0	V

### ■ Electrical Characteristics at $V_{CC} = 13.2\text{ V}$ , freq = 1 kHz, $T_a = 25\text{ °C}$

Parameter	Symbol	Conditions	Min	Typ	Max	Unit
Quiescent circuit current	$I_{CQ}$	$R_G = 10\text{ k}\Omega$ , $R_L = 4\text{ }\Omega$	—	300	450	mA
Standby current	$I_{STB}$	$R_G = 10\text{ k}\Omega$ , $R_L = 4\text{ }\Omega$	—	1	10	$\mu\text{A}$
Output noise voltage *1	$V_{NO}$	$R_G = 10\text{ k}\Omega$ , $R_L = 4\text{ }\Omega$	—	0.15	0.5	mV[rms]
Voltage gain	$G_V$	$V_{IN} = 40\text{ mV}$ , $R_L = 4\text{ }\Omega$	32	34	36	dB
Total harmonic distortion 1	THD1	$V_{IN} = 40\text{ mV}$ , $R_L = 4\text{ }\Omega$	—	0.05	0.2	%
Maximum output power	$P_O$	THD = 10%, $R_L = 4\text{ }\Omega$	16.0	19.5	—	W
Ripple rejection ratio *1	RR	$R_L = 4\text{ }\Omega$ , $R_G = 10\text{ k}\Omega$ , $V_R = 1\text{ V[rms]}$ , fr = 1 kHz	60	68	—	dB
Channel balance	CB	$V_{IN} = 40\text{ mV}$ , $R_L = 4\text{ }\Omega$	—	0	1	dB
Crosstalk	CT	$V_{IN} = 40\text{ mV}$ , $R_L = 4\text{ }\Omega$ , $R_G = 10\text{ k}\Omega$	60	70	—	dB
Output offset voltage	$V_{OFF}$	$R_G = 10\text{ k}\Omega$ , $R_L = 4\text{ }\Omega$	-250	0	250	mV
Muting effect *1	MT	$V_{IN} = 40\text{ mV}$ , $R_L = 4\text{ }\Omega$	70	86	—	dB
Input impedance	$Z_I$	$V_{IN} = \pm 0.3\text{ V}_{DC}$	24	30	36	k $\Omega$
Shock noise *2	$V_S$	$R_L = 4\text{ }\Omega$ , $R_G = 10\text{ k}\Omega$ , $V_{MUTE} = 5\text{ V}$ , $V_{STB} = \text{On/Off}$ , 50 Hz HPF	-100	0	100	mV[p-0]

Note) \*1 : Use 15 Hz to 30 kHz (12 dB/OCT) band-pass filter at measurement.

\*2 : Change over the standby pin at 0V and 5V with the following time.



■ Electrical Characteristics at  $V_{CC} = 9\text{ V}$ ,  $T_a = 25\text{ °C}$  (continued)

Parameter	Symbol	Conditions	Min	Typ	Max	Unit
Total harmonic distortion 2	THD2	$V_{IN} = 20\text{ mV}$ , $f_{IN} = 20\text{ kHz}$ , $R_G = 10\ \Omega$ , $R_L = \infty$	—	0.1	0.5	%
Mute-on threshold voltage	$MT_{ON}$	$V_{IN} = 40\text{ mV}$ , $R_L = 4\ \Omega$	4	—	—	V
Mute-off threshold voltage	$MT_{OFF}$	$V_{IN} = 40\text{ mV}$ , $R_L = 4\ \Omega$	—	—	0.8	V
Cutoff frequency	$f_C$	$V_{IN} = 40\text{ mV}$ , $R_L = 4\ \Omega$ $G_V = -1\text{ dB}$ (0 dB: 1 kHz)	20	40	—	kHz

- Design reference data at  $V_{CC} = 13.2\text{ V}$ ,  $f = 1\text{ kHz}$ , measuring bandwidth 15 Hz to 30 kHz (12 dB/OCT) filter is used

Note) The characteristic values below are theoretical values for designing and not guaranteed.

Parameter	Symbol	Conditions	Min	Typ	Max	Unit
Maximum output power	$P_{Omax}$	max. power, $R_L = 4\ \Omega$	—	28	—	W
Maximum output power	$P_{O2}$	$V_{CC} = 14.4\text{ V}$ , THD = 10%, $R_L = 4\ \Omega$	—	21	—	W
Maximum output power	$P_{Omax2}$	$V_{CC} = 14.4\text{ V}$ , max. power, $R_L = 4\ \Omega$	—	34	—	W
Power band	$f_{PL}$	$V_{CC} = 14.4\text{ V}$ , THD = 1%, $R_L = 4\ \Omega$ , $P_{OL} = -3\text{ dB}$ (1 kHz: 0 dB)	—	10	—	Hz
Power band	$f_{PH}$	$V_{CC} = 14.4\text{ V}$ , THD = 1%, $R_L = 4\ \Omega$ , $P_{OH} = -3\text{ dB}$ (1 kHz: 0 dB)	—	18	—	kHz
STB threshold voltage	$V_{STB1}$	$R_G = 10\text{ k}\Omega$ , $R_L = 4\ \Omega$ , STB→ACT	—	2.2	—	V
STB threshold voltage	$V_{STB2}$	$R_G = 10\text{ k}\Omega$ , $R_L = 4\ \Omega$ , ACT→STB	—	1.5	—	V

■ Terminal Equivalent Circuits

Pin No.	Equivalent circuit	Description	DC Voltage
1		Ripple filter pin: Output current from 3 mA to 10mA	13 V
2		Mute pin: Mute switchover pin Threshold voltage about 2.1 V	0 V
3		ch.3 input pin: ch.3 input signal application pin Input impedance 30 kΩ	0 mV to 10 mV
4	—	GND (circuit board): Circuit board	0 V
5		ch.4 input pin: ch.4 input signal application pin Input impedance 30 kΩ	0 mV to 10 mV

■ Terminal Equivalent Circuits (continued)

Pin No.	Equivalent circuit	Description	Voltage
6	—	GND (input): Grounding pin for input	0 V
7		ch.2 input pin: ch.2 input signal application pin Input impedance 30 kΩ	0 mV to 10 mV
8		Beep sound input pin: Beep sound signal input pin Input impedance 15 kΩ	0 V
9		ch.1 input pin: ch.1 input signal application pin Input impedance 30 kΩ	0 mV to 10 mV
10		Standby control pin: Standby switch over pin Threshold voltage about 2.1 V	5 V

■ Terminal Equivalent Circuits (continued)

Pin No.	Equivalent circuit	Description	Voltage
11		ch.1 output pin (-): ch.1 negative phase output pin	6.3 V
12	—	GND (output): Grounding pin for ch.1 output	0 V
13		ch.1 output pin (+): ch.1 positive phase output pin	6.3 V
14	—	Power supply voltage pin: Power supply connection pin	13.2 V
15		ch.2 output pin (-): ch.2 negative phase output pin	6.3 V
16		AUX input pin: Input impedance 10.6 kΩ	6.3 V

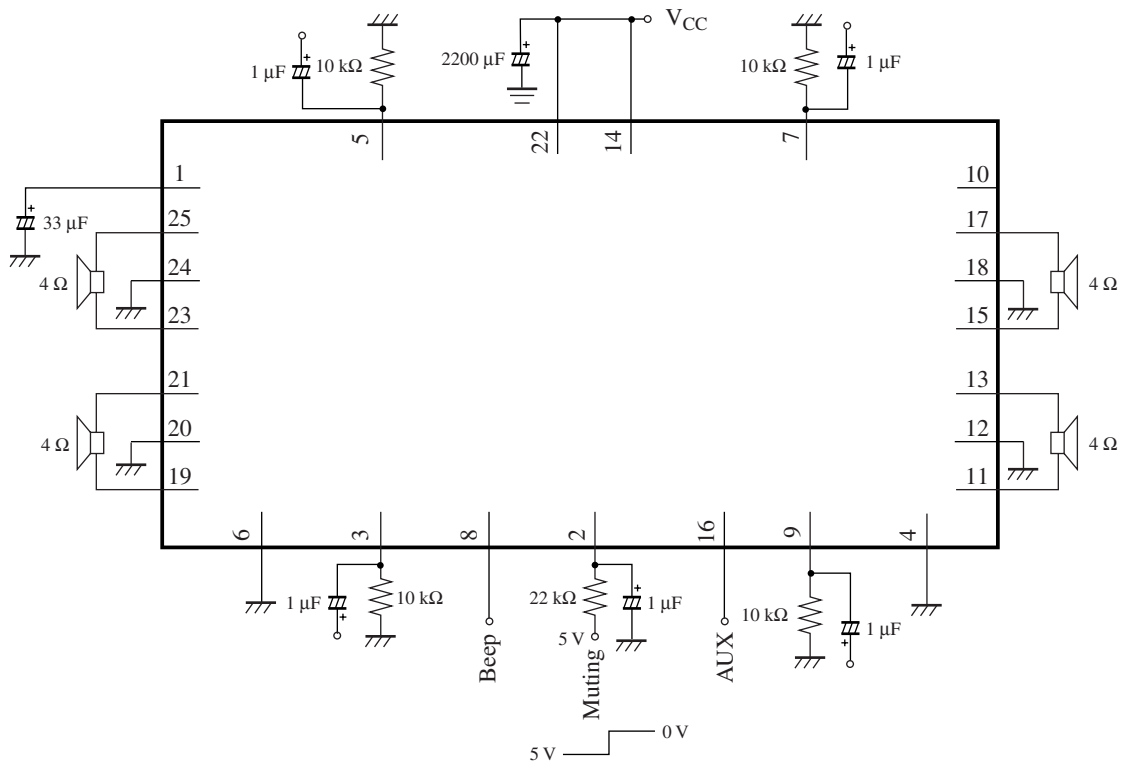
### ■ Terminal Equivalent Circuits (continued)

Pin No.	Equivalent circuit	Description	Voltage
17		ch.2 output pin (+): ch.2 positive phase output pin	6.3 V
18	—	GND (output): Grounding pin for ch.2 output	0 V
19		ch.3 output pin (-): ch.3 negative phase output pin	6.3 V
20	—	GND (output): Grounding pin for ch.3 output	0 V
21		ch.3 output pin (+): ch.3 positive phase output pin	6.3 V
22	—	Power supply voltage pin: Power supply connection pin	13.2 V

■ Terminal Equivalent Circuits (continued)

Pin No.	Equivalent circuit	Description	Voltage
23		ch.4 output pin (-): ch.4 negative phase output pin	6.3 V
24	—	GND (output): Grounding pin for ch.4 output	0 V
25		ch.4 output pin (+): ch.4 positive phase output pin	6.3 V

## ■ Application Circuit Example



## ■ Usage notes

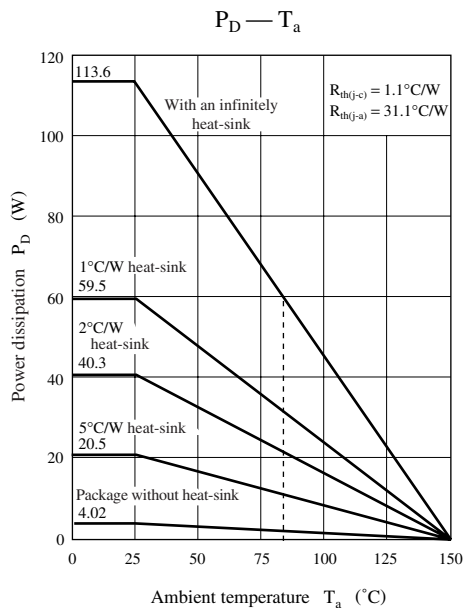
1. Be sure to use the circuit with an external heat-sink and fix the external heat-sink on chassis when using it.
2. Connect the heat radiating fin to GND potential.
3. This IC has built-in protection circuit against short-circuit to  $V_{CC}$ , short-circuit to GND and ASO. However avoid short-circuit to  $V_{CC}$ , short-circuit to GND and short-circuit of load.
4. The thermal protection circuit operates at  $T_j =$  about 150 °C but it automatically returns to the normal operation when the temperature decreases.
5. The over voltage protection circuit operates at  $V_{CC} =$  about 20 V.
6. Be especially careful to heat radiation design when used at an increased  $V_{CC}$ .
7. Connect the beep sound input pin to GND when the beep sound function is not used.
8. Do not lower the beep sound input pin below  $-0.3$  V.
9. Keep AUX input pin in open state when AUX function is not used.
10. Connect only GND pin (signal source) to the signal GND of the amplifier in previous stage.

### • There is a possibility of device destruction under the following conditions;

1. If the power supply pin and GND pin are connected in reverse to the power supply.
2. If the power supply pin and GND pin are in open state and the power supply is connected across the output pins.
3. If the output pin is grounded when GND pin is open.
4. If more than three output pins are grounded to the earth at a time with more than 1.3  $\Omega$  short-circuiting resistor with which the protection circuit does not operate.
5. If plus and minus output pins are short circuited to the supply line at a time with more than 1  $\Omega$  short-circuiting resistor with which the protection circuit does not operate.
6. If the RF pin and the output pin are short circuited and short-circuited to the earth.

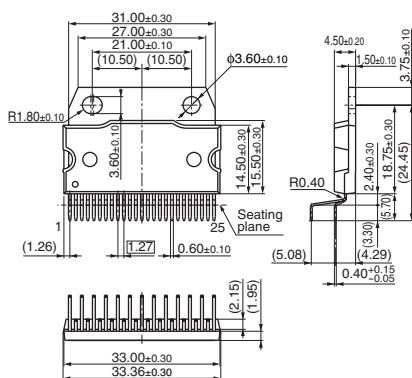
■ Technical Information

- HZP025-P-0980 package power dissipation



■ New Package Dimensions (Unit: mm)

- HZIP025-P-0980B (Lead-free package)



## Request for your special attention and precautions in using the technical information and semiconductors described in this material

- (1) An export permit needs to be obtained from the competent authorities of the Japanese Government if any of the products or technologies described in this material and controlled under the "Foreign Exchange and Foreign Trade Law" is to be exported or taken out of Japan.
- (2) The technical information described in this material is limited to showing representative characteristics and applied circuit examples of the products. It does not constitute the warranting of industrial property, the granting of relative rights, or the granting of any license.
- (3) The products described in this material are intended to be used for standard applications or general electronic equipment (such as office equipment, communications equipment, measuring instruments and household appliances).  
Consult our sales staff in advance for information on the following applications:
  - Special applications (such as for airplanes, aerospace, automobiles, traffic control equipment, combustion equipment, life support systems and safety devices) in which exceptional quality and reliability are required, or if the failure or malfunction of the products may directly jeopardize life or harm the human body.
  - Any applications other than the standard applications intended.
- (4) The products and product specifications described in this material are subject to change without notice for reasons of modification and/or improvement. At the final stage of your design, purchasing, or use of the products, therefore, ask for the most up-to-date Product Standards in advance to make sure that the latest specifications satisfy your requirements.
- (5) When designing your equipment, comply with the guaranteed values, in particular those of maximum rating, the range of operating power supply voltage and heat radiation characteristics. Otherwise, we will not be liable for any defect which may arise later in your equipment.  
Even when the products are used within the guaranteed values, redundant design is recommended, so that such equipment may not violate relevant laws or regulations because of the function of our products.
- (6) When using products for which dry packing is required, observe the conditions (including shelf life and after-unpacking standby time) agreed upon when specification sheets are individually exchanged.
- (7) No part of this material may be reprinted or reproduced by any means without written permission from our company.

## Please read the following notes before using the datasheets

- A. These materials are intended as a reference to assist customers with the selection of Panasonic semiconductor products best suited to their applications.  
Due to modification or other reasons, any information contained in this material, such as available product types, technical data, and so on, is subject to change without notice.  
Customers are advised to contact our semiconductor sales office and obtain the latest information before starting precise technical research and/or purchasing activities.
- B. Panasonic is endeavoring to continually improve the quality and reliability of these materials but there is always the possibility that further rectifications will be required in the future. Therefore, Panasonic will not assume any liability for any damages arising from any errors etc. that may appear in this material.
- C. These materials are solely intended for a customer's individual use.  
Therefore, without the prior written approval of Panasonic, any other use such as reproducing, selling, or distributing this material to a third party, via the Internet or in any other way, is prohibited.



LittleDiode supplies new, hard to find or obsolete electronic components and semiconductors all over the world.

With over two million different components listed you are sure to find the part you need.

Feel free to visit us today at our online store:

[LittleDiode.com](http://LittleDiode.com)

Looking forward to providing you with the best possible service.