

■ Pin Description

Pin No.	Description	Pin No.	Description
1	ASC adjustment/forced monaural	17	Detection output
2	ATC adjustment	18	PNL output hold
3	Separation adjustment	19	SD/FM-IF counter output/stereo indicator
4	ATC low-pass filter	20	SD sensitivity adjustment
5	R-ch. output	21	AFC voltage
6	L-ch. output	22	V _{CC}
7	Mute voltage	23	FM detection
8	Pilot detection low-pass filter	24	Soft mute adjustment
9	PLL low-pass filter	25	GND
10	PLL low-pass filter	26	V _{REF}
11	VCO	27	IF bypass
12	Pilot cancel control low-pass filter	28	IF input
13	Band signal output/band mute SW	29	Control voltage adjustment
14	PNL low-pass filter	30	Control voltage
15	PNL AGC	31	Multi-path noise input
16	PNL input	32	Multi-path detection

■ Absolute Maximum Ratings

Parameter	Symbol	Rating	Unit
Supply voltage	V _{CC}	9.1	V
Supply current	I _{CC}	45	mA
Power dissipation *2	P _D	343.3	mW
Operating ambient temperature *1	T _{opr}	-30 to +80	°C
Storage temperature *1	T _{stg}	-55 to +125	°C

Note) *1: Except for the power dissipation, operating ambient temperature, and storage temperature, all ratings are for T_a = 25°C.

*2: T_a = 80°C

■ Recommended Operating Range

Parameter	Symbol	Range	Unit
Supply voltage	V _{CC}	7.2 to 9.0	V

■ Electrical Characteristics at $T_a = 25^\circ\text{C}$

Unless otherwise specified, $V_{CC} = 8\text{V}$, V_{IN1} is $f = 10.70\text{ MHz}$, Mod. = 1 kHz , 30%

FM modulation stereo input is $L + R = 90\%$ $V_p = 10\%$

Parameter	Symbol	Conditions	Min	Typ	Max	Unit
Control voltage (1)	V_{C1}	Without signal input, pin 30 DC voltage	0.0	0.3	0.9	V
Control voltage (2)	V_{C2}	$V_{IN1} = 40\text{ dB}\mu$, pin 30 DC voltage	0.6	1.3	1.6	V
Control voltage (3)	V_{C3}	$V_{IN1} = 70\text{ dB}\mu$, pin 30 DC voltage	2.4	3.1	3.8	V
Control voltage (4)	V_{C4}	$V_{IN1} = 100\text{ dB}\mu$, pin 30 DC voltage	4.5	5.3	5.8	V
Control voltage (5)	V_{C5}	$V_{C5} = V_{C3} - V_{C2}$	1.8	2.0	2.2	V
Control voltage (6)	V_{C6}	$V_{C6} = V_{C4} - V_{C3}$	1.85	2.05	2.25	V
Output level L-channel	V_{OL}	$V_{IN1} = 70\text{ dB}\mu$, pin 6 AC voltage	85	105	125	mV[rms]
Output level R-channel	V_{OR}	$V_{IN1} = 70\text{ dB}\mu$, pin 5 AC voltage	85	105	125	mV[rms]
Channel balance	CB	$CB = 20 \cdot \log(V_{OL}/V_{OR})$	-1.0	0	1.0	dB
Residual pilot voltage	V_{PC}	$V_p = 10\%$ modulation, $V_{IN1} = 70\text{ dB}\mu$, pin 18 output voltage	—	4	14	mV[rms]
Stereo lamp light up level	LAMP _{ON}	19 kHz modulation, Modulation factor at which pin 19 becomes under 1 V	1.3	4.0	6.3	%
Separation L-channel	Sep _L	$L+R = 90\%$, $V_p = 10\%$ Larger separation value after changing over pin 3 external resistor	25	33	—	dB
Separation R-channel	Sep _R		25	33	—	dB
Capture range	CR	Modulation at $V_p = 6.5\%$ Referred to 19 kHz	± 0.4	± 0.7	—	%
Counter output level (1)	VIF ₁	$V_{IN1} = 100\text{ dB}\mu$, $V_{20} = 2\text{ V}$ pin 19 output voltage	135	155	175	mV[rms]
Counter output level (2)	VIF ₂	$V_{IN1} = 100\text{ dB}\mu$, $V_{20} = 5\text{ V}$ pin 19 output voltage	0	2	5	mV[rms]
Monaural THD (L)	THD _L	V_{IN2} monaural input, 500 mV[0-p] 1 kHz, L-ch. output distortion factor	—	0.1	0.3	%
Monaural THD (R)	THD _R	V_{IN2} monaural input, 500 mV[0-p] 1 kHz, R-ch. output distortion factor	—	0.1	0.3	%
Stereo THD (L)	THD _{STL}	V_{IN2} stereo input, 500 mV[0-p] 1 kHz, L-ch. output distortion factor	—	0.1	0.3	%
Stereo THD (R)	THD _{STR}	V_{IN2} stereo input, 500 mV[0-p] 1 kHz, R-ch. output distortion factor	—	0.1	0.3	%
PNL-AGC voltage (1)	V_{AGC1}	$V_{IN2} =$ Without input pin 15 DC voltage	1.2	1.4	1.7	V
PNL-AGC voltage (2)	V_{AGC2}	$V_{IN2} = 100\text{ mV}$, $f = 100\text{ kHz}$ input Difference from V_{AGC1}	0.1	0.35	0.60	V
Residual noise voltage	V_{NR}	$V_{IN2} =$ (pulse width 10 μs , 1 V[p-p] 1 kHz) L-ch. output	0.0	0.2	0.7	mV[rms]

■ Electrical Characteristics at $T_a = 25^\circ\text{C}$ (continued)

Unless otherwise specified, $V_{CC} = 8\text{V}$, V_{IN1} is $f = 10.70\text{ MHz}$, Mod. = 1 kHz , 30%

FM modulation stereo input is $L + R = 90\%$ $V_p = 10\%$

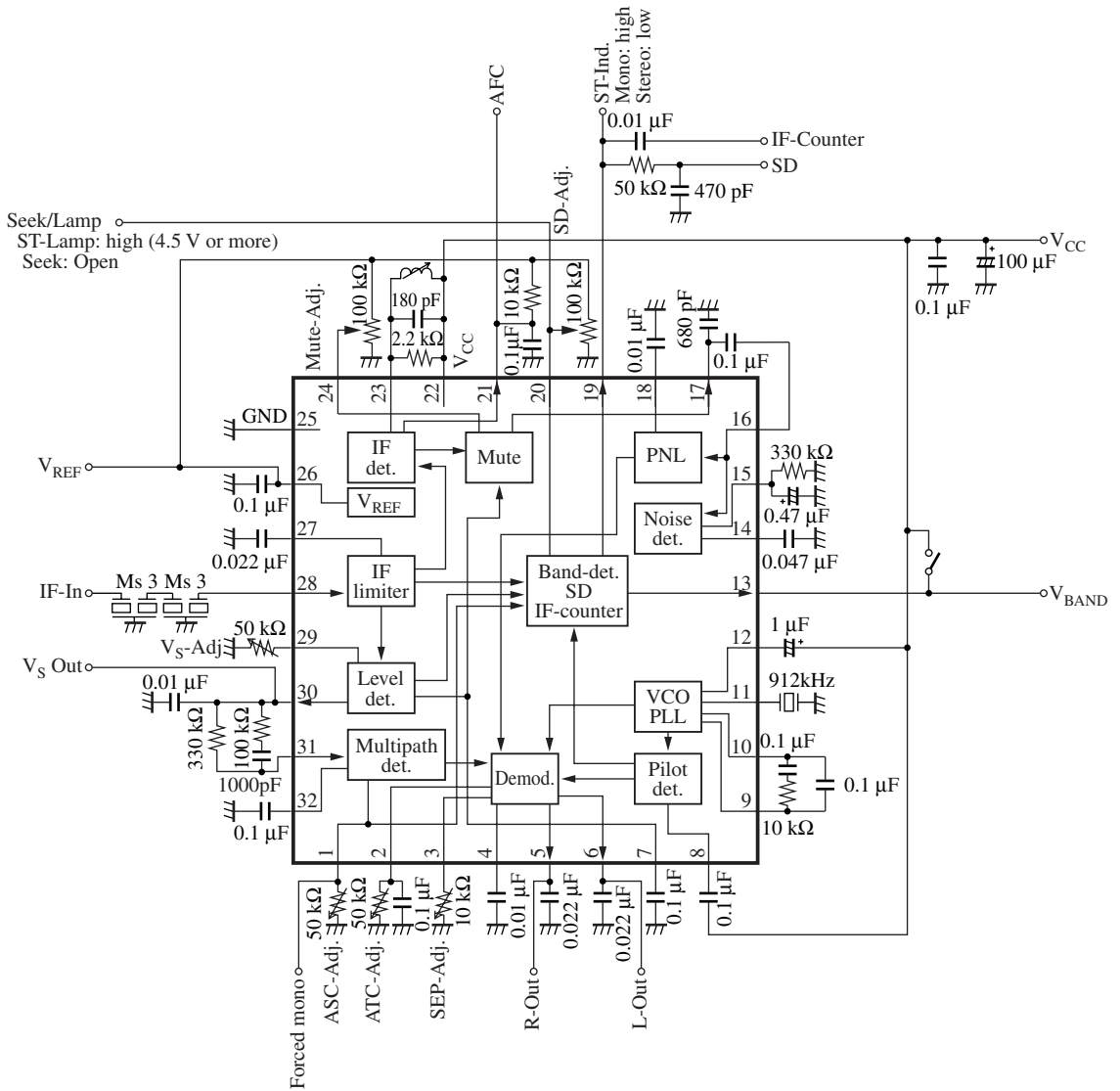
Parameter	Symbol	Conditions	Min	Typ	Max	Unit
SD sensitivity	SD_S	V_{IN1} when $V_{20} = 2\text{ V}$, $V_{19} > 2\text{ V}$	70	80	90	$\text{dB}\mu$
SD bandwidth	SD_W	V_{IN} bandwidth when $V_{24} = 2\text{ V}$, and $V_{19} > 2\text{ V}$, $V_{IN1} = 100\text{ dB}\mu$	100	130	160	kHz
Supply current	I_{TOT}	Without input	30	37	44	mA
Limiting sensitivity	V_{LIM}	V_{IN1} input level when pin 5 AC voltage drops by 3 dB	24	32	38	$\text{dB}\mu$
ATC	V_{ATC}	L-ch. output ratio when $V_2 = 2\text{ V}$ and 0 V	7	11	15	dB
Gate pulse width	PW	$V_{IN2} = (\text{pulse width } 1\ \mu\text{s}, 0.3\text{ V}_{[p-p]})$ 1 kHz) pin 18 output pulse width	16	23	30	μs

• Design reference data

Note) The following characteristics are the reference values for design and not guaranteed values.

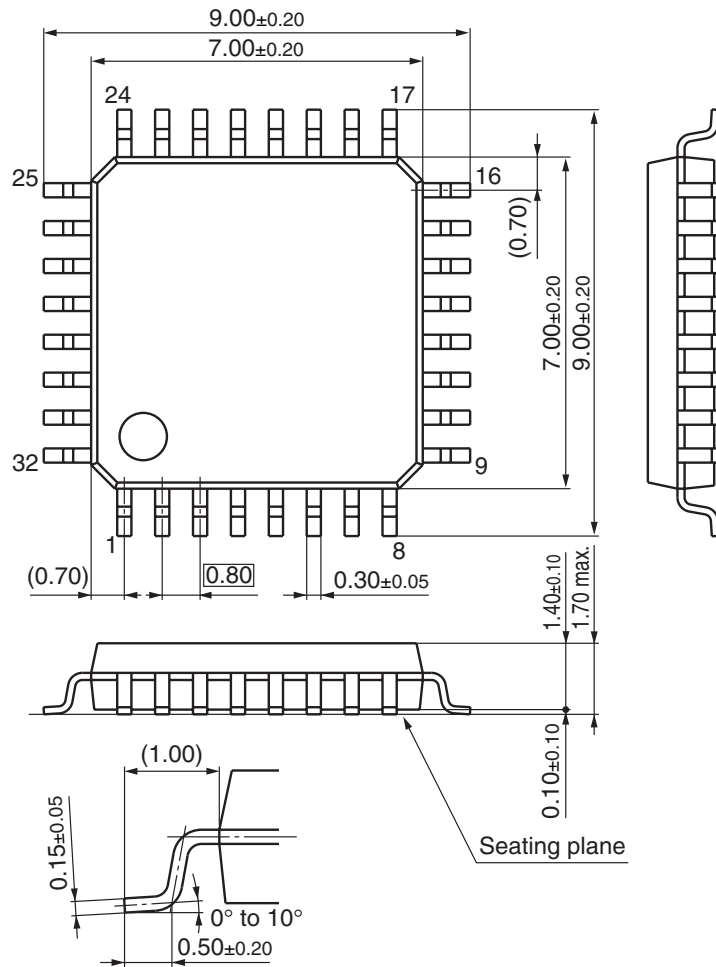
Parameter	Symbol	Conditions	Min	Typ	Max	Unit
Stereo lamp turn off level	$LAMP_{OFF}$	Ratio between the modulation factor when pin 19 becomes 2 V or more and $LAMP_{ON}$	2.0	6.0	10.0	dB
AFC offset voltage	V_{AFC}	Without signal input, DC potential difference between pin 21 and pin 26.	-0.1	0.0	0.1	V

Application circuit Example



■ New Package Dimensions (Unit: mm)

- LQFP032-P-0707B (Lead-free package)



Request for your special attention and precautions in using the technical information and semiconductors described in this material

- (1) An export permit needs to be obtained from the competent authorities of the Japanese Government if any of the products or technologies described in this material and controlled under the "Foreign Exchange and Foreign Trade Law" is to be exported or taken out of Japan.
- (2) The technical information described in this material is limited to showing representative characteristics and applied circuit examples of the products. It does not constitute the warranting of industrial property, the granting of relative rights, or the granting of any license.
- (3) The products described in this material are intended to be used for standard applications or general electronic equipment (such as office equipment, communications equipment, measuring instruments and household appliances).
Consult our sales staff in advance for information on the following applications:
 - Special applications (such as for airplanes, aerospace, automobiles, traffic control equipment, combustion equipment, life support systems and safety devices) in which exceptional quality and reliability are required, or if the failure or malfunction of the products may directly jeopardize life or harm the human body.
 - Any applications other than the standard applications intended.
- (4) The products and product specifications described in this material are subject to change without notice for reasons of modification and/or improvement. At the final stage of your design, purchasing, or use of the products, therefore, ask for the most up-to-date Product Standards in advance to make sure that the latest specifications satisfy your requirements.
- (5) When designing your equipment, comply with the guaranteed values, in particular those of maximum rating, the range of operating power supply voltage and heat radiation characteristics. Otherwise, we will not be liable for any defect which may arise later in your equipment.
Even when the products are used within the guaranteed values, redundant design is recommended, so that such equipment may not violate relevant laws or regulations because of the function of our products.
- (6) When using products for which dry packing is required, observe the conditions (including shelf life and after-unpacking standby time) agreed upon when specification sheets are individually exchanged.
- (7) No part of this material may be reprinted or reproduced by any means without written permission from our company.

Please read the following notes before using the datasheets

- A. These materials are intended as a reference to assist customers with the selection of Panasonic semiconductor products best suited to their applications.
Due to modification or other reasons, any information contained in this material, such as available product types, technical data, and so on, is subject to change without notice.
Customers are advised to contact our semiconductor sales office and obtain the latest information before starting precise technical research and/or purchasing activities.
- B. Panasonic is endeavoring to continually improve the quality and reliability of these materials but there is always the possibility that further rectifications will be required in the future. Therefore, Panasonic will not assume any liability for any damages arising from any errors etc. that may appear in this material.
- C. These materials are solely intended for a customer's individual use.
Therefore, without the prior written approval of Panasonic, any other use such as reproducing, selling, or distributing this material to a third party, via the Internet or in any other way, is prohibited.



LittleDiode supplies new, hard to find or obsolete electronic components and semiconductors all over the world.

With over two million different components listed you are sure to find the part you need.

Feel free to visit us today at our online store:

LittleDiode.com

Looking forward to providing you with the best possible service.