

# AN7291SC

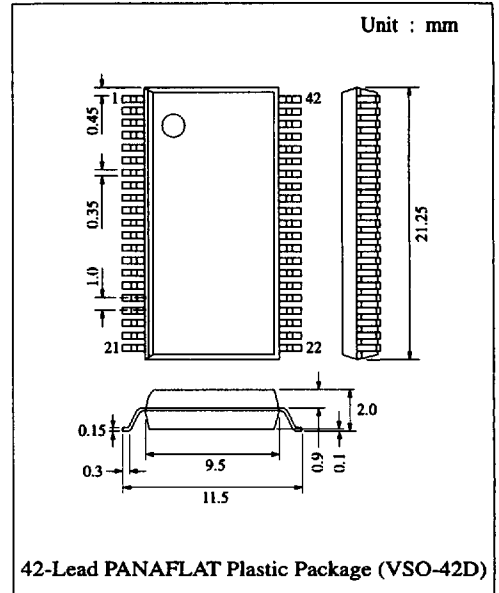
## FM-IF, Detection, Noise Canceller, MPX Demodulation IC for Car Radio

### ■ Description

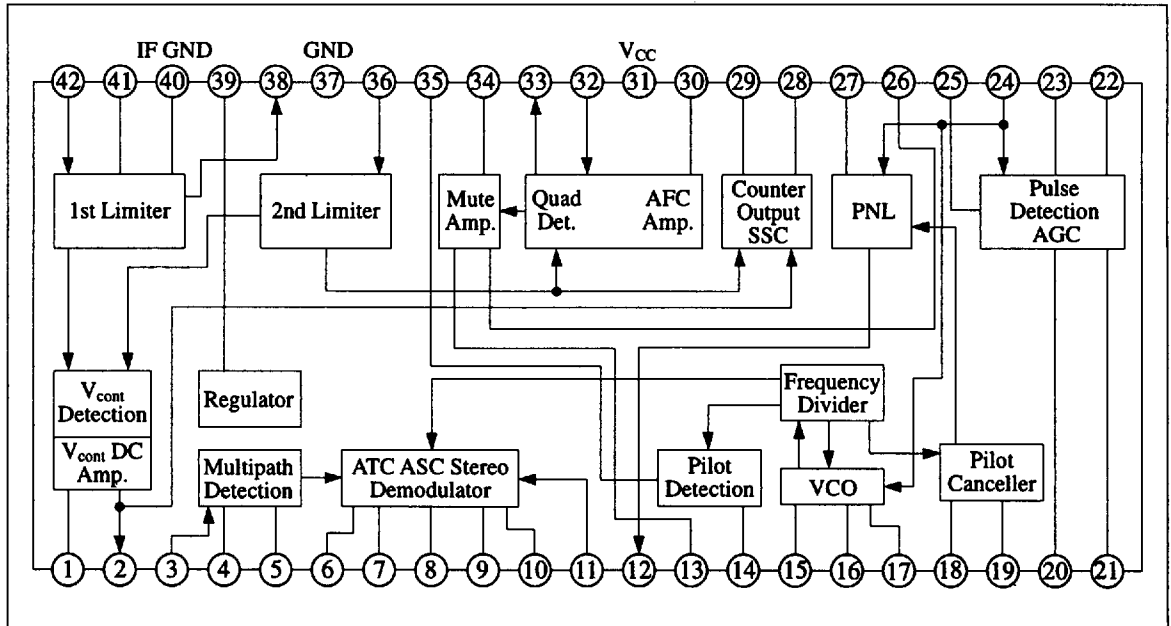
The AN7291SC is a monolithic integrated circuit integrating FM-IF / DET, PNL, MPX into a single chip. PNL, MPX is basically the same configuration as previous AN7465S, but VCO is adjustment-free by using ceramic lock.

### ■ Features

- Integration previous 2-chip (IF / DET, PNL / MPX) into a single chip
- High IF sensitivity
- With IF counter output, SEEK sensitivity adjustment
- Adjustment-free VCO (ceramic lock 912kHz)
- Fewer external parts (Fewer large capacitance capacitor)
- Good control voltage linearity, wide adjusting range
- Multipath detection amp. built-in
- $V_{CC}$  range :  $V_{CC} = 7.2V \sim 9.6V$



### ■ Block Diagram





LittleDiode supplies new, hard to find or obsolete electronic components and semiconductors all over the world.

With over two million different components listed you are sure to find the part you need.

Feel free to visit us today at our online store:

[LittleDiode.com](http://LittleDiode.com)

Looking forward to providing you with the best possible service.