

AN6164K, AN6164S

Constant Voltage Drive Speech Network Circuits

Overview

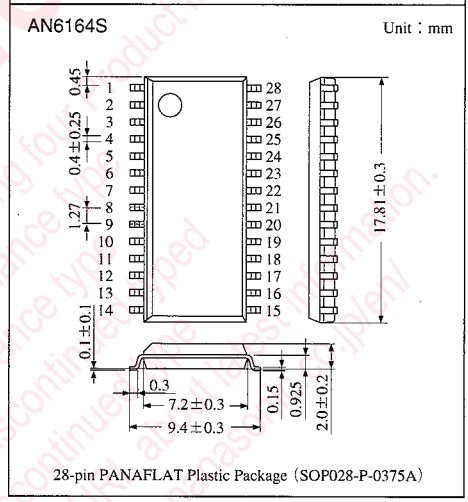
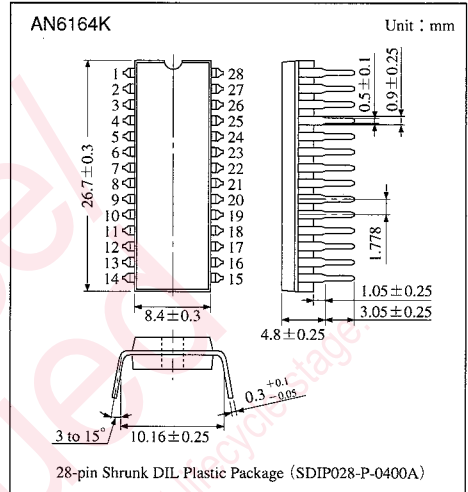
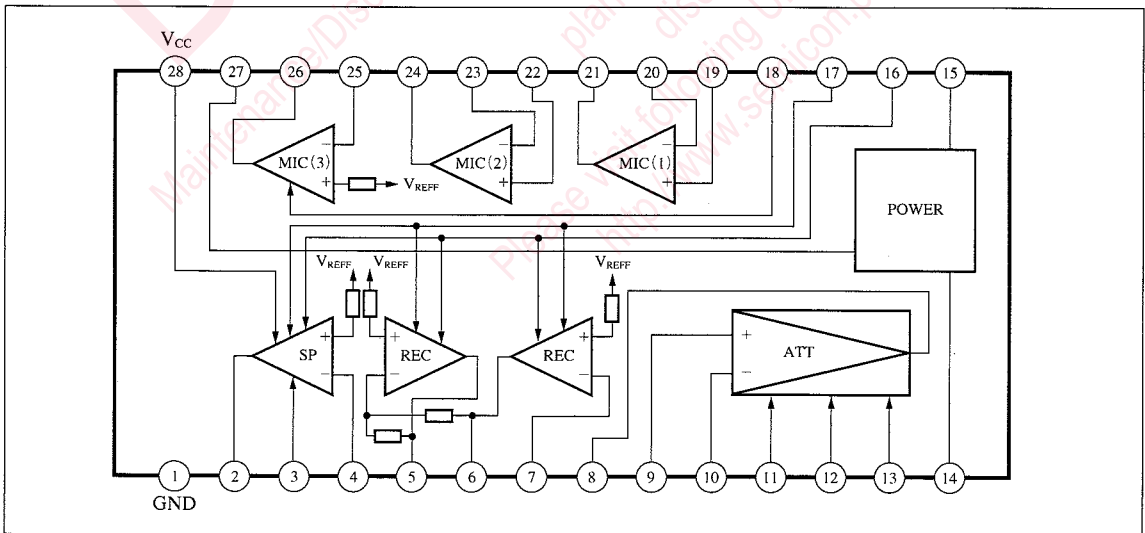
The AN6164K and AN6164S are ICs for constant voltage drive type speech networks.

They incorporate a speaker amplifier and attenuator and suitable for the car telephone and business telephone.

Features

- Capable of interfacing with the piezo-electric receivers and dynamic receivers
- Capable of interfacing with the piezo-electric transmitters and ECM type transmitters
- Balance input for both receiver and transmitter system in order to prevent mixture of humming noises
- Capable of muting each amplifier by external control
- Built-in attenuator circuit in the receiver system to allow 7-step adjustment of attenuation (0 to -30dB) with the switch 3 terminals
- Built-in standby circuit for the power supply to allow low power consumption ; supply current of 15 μ A or less in the standby mode

Block Diagram



■ Absolute Maximum Ratings (Ta=25°C)

Parameter	Symbol	Rating	Unit
Supply voltage	V _{CC}	-0.3 to +14.4	V
Supply current	I _{CC}	1	A
Power dissipation	P _D	380 *	mW
Operating ambient temperature	T _{opr}	-20 to +75	°C
Storage temperature	T _{stg}	-55 to +125	°C

* Operating ambient temperature Ta=75°C, mounted onto the glass epoxy PCB (50×50×1.2mm)

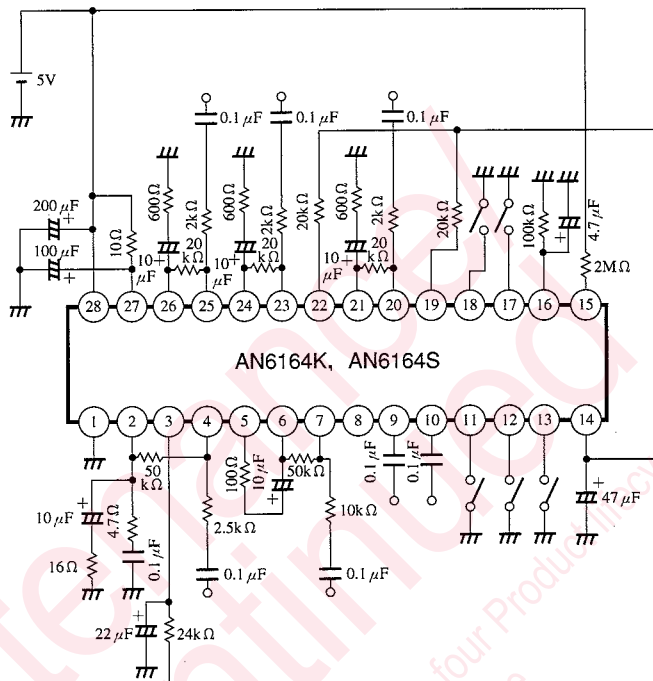
■ Recommended Operating Range (Ta=25°C)

Parameter	Symbol	Range
Operating supply voltage range	V _{CC}	4.5 to 8V

■ Electrical Characteristics (V_{CC}=5V, f=1kHz, Ta=25°C)

Parameter	Symbol	Condition	min	typ	max	Unit
Current consumption (SP MODE)	I _{CC} (SP)	Measure current consumption at V _{CC} =8V and at the speaker mode.	5	11	17	mA
Current consumption (STANDBY MODE)	I _{st}	Measure current consumption at V _{CC} =8V and at the standby mode.	—	—	15	μA
Microphone amplifier (1) open circuit gain	G _v (M1)	Input a signal to the Pin ^⑩ and measure the open circuit gain at the Pin ^② .	55	—	—	dB
Microphone amplifier (1) output level	V _O (M1)	Measure a distortion factor at the Pin ^② at gain=20 dB, load=600Ω, and output=-2dB.	—	—	5	%
Microphone amplifier (1) noise output voltage	V _{no} (M1)	Measure the noise level with DIN/AUDIO at R _g =2.2kΩ and gain=20 dB.	—	-90	-80	dBV
Receiver amplifier gain	G _v (REC)	Set the gain to 20 dB with an external resistor and measure the gain at V _{in} =-25 dBV.	18	20	22	dB
Receiver amplifier output level	V _O (REC)	Measure a distortion factor at gain=20 dB, load=100Ω, and output=0 dBV.	—	—	5	%
Receiver amplifier noise output voltage	V _{no} (REC)	Measure the noise level with DIN/AUDIO at R _g =2.2kΩ and gain=20 dB.	—	-80	-70	dB
ΔATT (1)	ΔATT (1)	Input a signal (-10 dBV) to the Pin ^⑨ and measure the output level. Ground the Pin ^⑪ .	-7	-5	-3	dB
ΔATT (2)	ΔATT (2)	Input a signal (-10 dBV) to the Pin ^⑨ and measure the output level. Ground the Pin ^⑫ .	-12	-10	-8	dB
ΔATT (3)	ΔATT (3)	Input a signal (-10 dBV) to the Pin ^⑨ and measure the output level. Ground the Pin ^⑬ .	-17	-15	-13	dB
ATT	ATT	Input a signal (-10 dBV) to the Pin ^⑨ and measure the output level.	-2	0	+2	dB
Speaker amplifier open circuit gain	G _v (SP)	Input a signal to the Pin ^④ and measure the open circuit gain of the Pin ^② .	40	—	—	dB
Speaker amplifier output level	V _O (SP)	Measure a distortion factor at the Pin ^② at gain=26 dB, load=16Ω, and output=0 dBV.	—	—	5	%
Speaker amplifier noise output voltage	V _{no} (SP)	Measure the noise level with DIN/AUDIO at R _g =2.2kΩ and gain=26 dB.	—	-85	-75	dBV
Control voltage (H)	V (H)		2	—	V _{CC} +0.3	V
Control voltage (L)	V (L)		-0.3	—	+0.5	V
Control pin suction current	I _{cont}	Measure a current flowing out when the control pin is ground.	—	—	20	μA

Application Circuit



Pin Descriptions


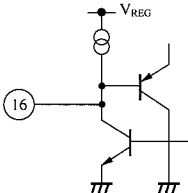
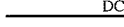
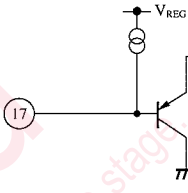

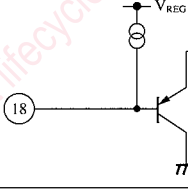

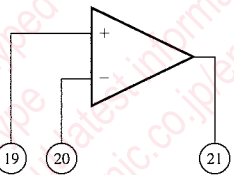
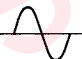
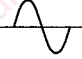
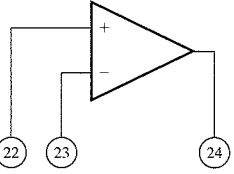
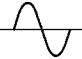
Pin No.	Pin name	Typical waveform	Description	Equivalent circuit
1	GND	DC 0V	Ground pin. Connect to the ground potential.	
2	SP output	2.1 V	Speaker output pin. Outputs a receives signal to the speaker.	
3	SP cont	W/o external capacitor: square wave W/ external capacitor: square wave DC	Speaker control pin. Connect to GND through the 22µF electrolytic capacitor.	
4	SP input	2.1V	Speaker signal input pin. Inputs a speaker signal through the coupling capacitor.	

Pin Descriptions (cont.)

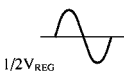
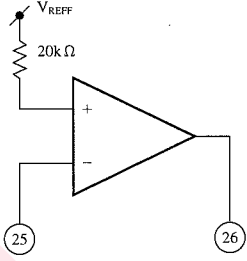
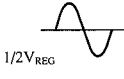
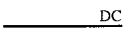
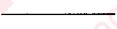
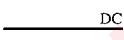

Pin No.	Pin name	Typical waveform	Description	Equivalent circuit
5	RO-2		Receiver output pins 2 and 1. Connects to the receiver through the coupling capacitor. The receiver connected is a 100Ω dynamic type or 1 kΩ piezo-electric type.	
6	RO-1			
7	REC input		Receiver input pin. Inputs a receiver signal through the coupling capacitor.	
8	ATT output		Attenuator output pin. Connects to the receiver amplifier and speaker amplifier through the coupling capacitor,	
9	ATT (+) input		Attenuator positive input pin and negative input pin. Inputs a receiver signal through the coupling capacitor.	
10	ATT (-) input			
11	ATT cont (1)		Attenuator control pin 1. The receiver gain is attenuated 5 dB by setting this pin to the L level.	
12	ATT cont (2)		Attenuator control pin 2. The receiver gain is attenuated 10 dB by setting this pin to the L level.	
13	ATT cont (3)		Attenuator control pin 3. The receiver gain is attenuated 15 dB by setting this pin to the L level.	
14	V _{REF}		Reference pin. Connects to GND through the electrolytic capacitor. The current obtainable from this pin is 7mA.	
15	STANDBY		Standby pin. Connects to the Pin [Ⓢ] through a resistor (2MΩ). The standby mode is set by setting this pin to the Low level.	

ICs for Telephone

■ Pin Descriptions (cont.)

Pin No.	Pin name	Typical waveform	Description	Equivalent circuit
16	V _{CC} cont		Power rise control pin. Connects to GND through the electrolytic capacitor (4.7 μF) and resistor (100kΩ).	
17	REC/SP		Receiver/speaker selector pin. The speaker mode is selected by setting this pin to the H level, and receiver mode by setting to the L level.	
18	MIC mute		Microphone mute pin. Controls ON/OFF of the microphone (3) amplifier. Muted by setting this pin to the L level.	
19	MIC-1 input		Microphone (1) positive and negative input pins. Connects the ECM type microphone through the coupling capacitor.	
20	MIC-1 input			
21	MIC-1 output		Microphone (1) output pin. Capable of driving a 600Ω load.	
22	MIC-2 input		Microphone (2) positive and negative input pins. Connects the ECM type microphone through the coupling capacitor.	
23	MIC-2 input			
24	MIC-2 output		Microphone (2) output pin. Capable of driving a 600Ω load.	

■ Pin Descriptions (cont.)

Pin No.	Pin name	Typical waveform	Description	Equivalent circuit
25	MIC-3 input		Microphone (3) input pin. Connects to the microphone (1) or microphone (2) through the coupling capacitor.	
26	MIC-3 output		Microphone (3) output pin. Capable of driving a 600Ω load.	
27	V _{REG}		Stabilized supply voltage pin. Connects to GND through the electrolytic capacitor.	
29	V _{CC}		Supply voltage pin. Connects to GND through the electrolytic capacitor.	

■ Supplementary Descriptions

● Receiver Attenuator

☆About receiver attenuator

Since the AN6164K and AN6164S incorporate the attenuator circuit in the receiver system, you can adjust an amount of attenuator in 7 steps with the 3 pins, ⑪, ⑫, and ⑬.

The logic table is shown below.

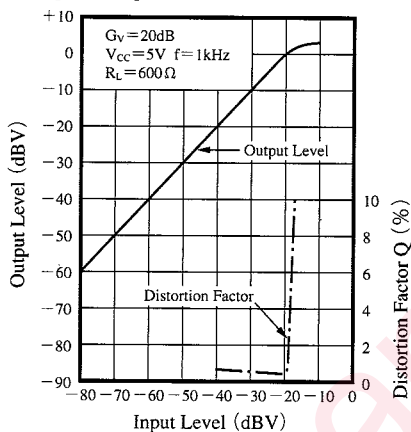
Receiver Attenuation Amount

⑪	⑫	⑬	Attenuation amount (dB)
H	H	H	0
L	H	H	-5
H	L	H	-10
H	H	L	-15
L	H	L	-20
H	L	L	-25
L	L	L	-30
L	L	H	-15

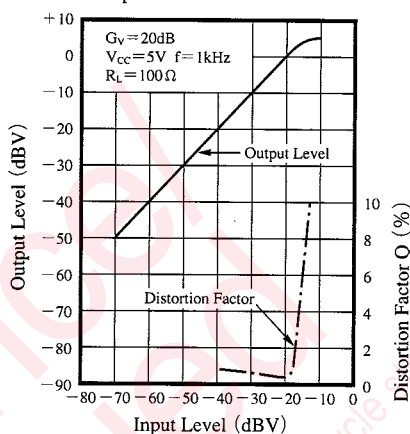


■ Characteristics Curve

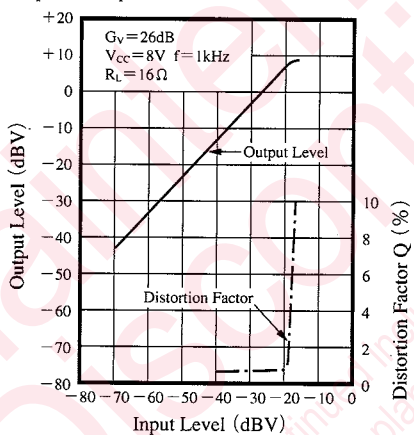
Microphone Amp. I/O Distortion Factor Characteristics



Receiver Amp. I/O Distortion Factor Characteristics



Speaker Amp. I/O Distortion Factor Characteristics



Request for your special attention and precautions in using the technical information and semiconductors described in this book

- (1) If any of the products or technical information described in this book is to be exported or provided to non-residents, the laws and regulations of the exporting country, especially, those with regard to security export control, must be observed.
- (2) The technical information described in this book is intended only to show the main characteristics and application circuit examples of the products. No license is granted in and to any intellectual property right or other right owned by Panasonic Corporation or any other company. Therefore, no responsibility is assumed by our company as to the infringement upon any such right owned by any other company which may arise as a result of the use of technical information described in this book.
- (3) The products described in this book are intended to be used for standard applications or general electronic equipment (such as office equipment, communications equipment, measuring instruments and household appliances).
Consult our sales staff in advance for information on the following applications:
 - Special applications (such as for airplanes, aerospace, automobiles, traffic control equipment, combustion equipment, life support systems and safety devices) in which exceptional quality and reliability are required, or if the failure or malfunction of the products may directly jeopardize life or harm the human body.
 - Any applications other than the standard applications intended.
- (4) The products and product specifications described in this book are subject to change without notice for modification and/or improvement. At the final stage of your design, purchasing, or use of the products, therefore, ask for the most up-to-date Product Standards in advance to make sure that the latest specifications satisfy your requirements.
- (5) When designing your equipment, comply with the range of absolute maximum rating and the guaranteed operating conditions (operating power supply voltage and operating environment etc.). Especially, please be careful not to exceed the range of absolute maximum rating on the transient state, such as power-on, power-off and mode-switching. Otherwise, we will not be liable for any defect which may arise later in your equipment.
 - Even when the products are used within the guaranteed values, take into the consideration of incidence of break down and failure mode, possible to occur to semiconductor products. Measures on the systems such as redundant design, arresting the spread of fire or preventing glitch are recommended in order to prevent physical injury, fire, social damages, for example, by using the products.
- (6) Comply with the instructions for use in order to prevent breakdown and characteristics change due to external factors (ESD, EOS, thermal stress and mechanical stress) at the time of handling, mounting or at customer's process. When using products for which damp-proof packing is required, satisfy the conditions, such as shelf life and the elapsed time since first opening the packages.
- (7) This book may be not reprinted or reproduced whether wholly or partially, without the prior written permission of our company.



LittleDiode supplies new, hard to find or obsolete electronic components and semiconductors all over the world.

With over two million different components listed you are sure to find the part you need.

Feel free to visit us today at our online store:

LittleDiode.com

Looking forward to providing you with the best possible service.