

AN6157NK

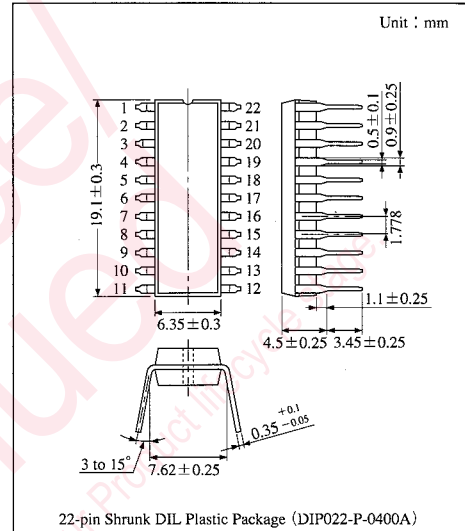
Speech Network Circuit

Overview

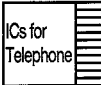
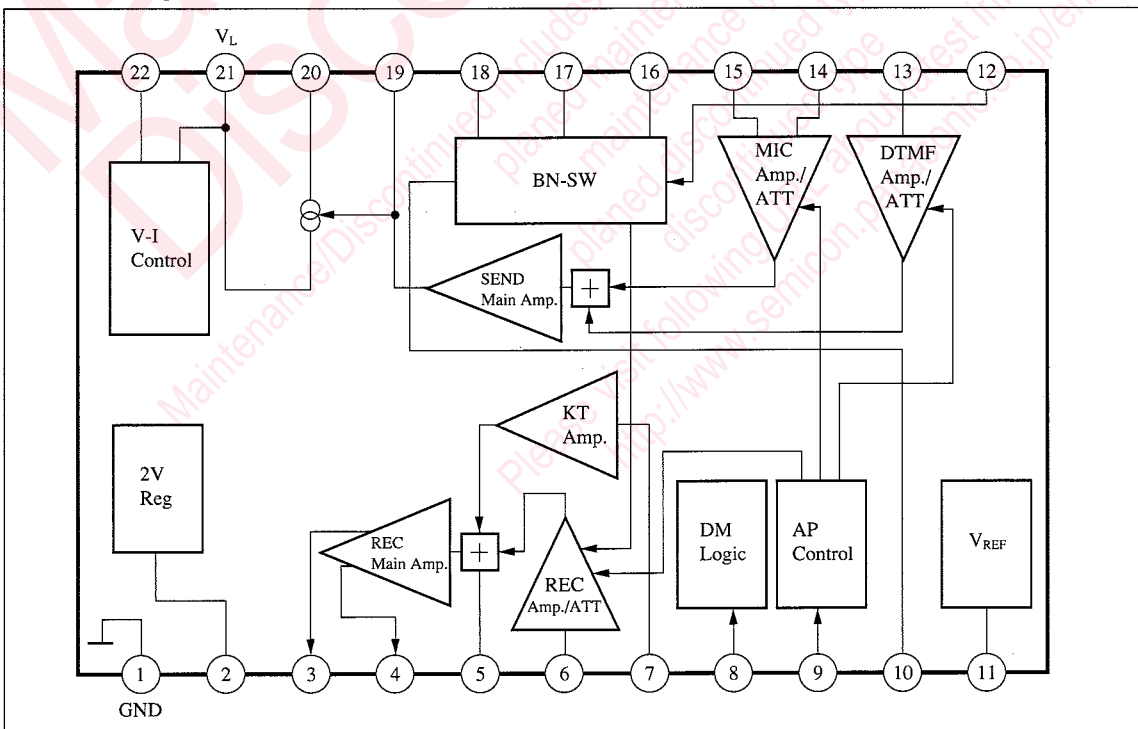
The AN6157NK is a speech network IC with a side tone preventive circuit network switching function. It enables manual/automatic switching and realizes good side-tone characteristics under any line conditions, including communications through the extension.

Features

- Capable of interfacing with the light-weight small ceramic receivers and low-impedance dynamic receivers.
- Capable of interfacing with the ECM transmitters.
- Built-in ECM constant voltage source (2.1V typ.)
- Built-in 2-channel side tone circuit network switching function according to a line current and capable of manual switching in communications through the extension.
- Automatic gain control according to a line current and manual gain control also available.
- Built-in key-in-tone amplifier and DTMF transmission circuit to allow mode setting through a control pin.
- 22-pin DIL (shrunk type) plastic package.



Block Diagram



■ Absolute Maximum Ratings (Ta = 25°C)

Parameter	Symbol	Rating	Unit
Supply voltage	V _L	14.4	V
Supply current	I _L	120	mA
Power dissipation (Ta = 60°C)	P _D	1440	mW
Operating ambient temperature	T _{opr}	-20 to +75	°C
Storage temperature	T _{stg}	-55 to +150	°C

■ Recommended Operating Range (Ta = 25°C)

Parameter	Symbol	Range
Operating supply voltage range	V _L	3 to 11.5V

■ Electrical Characteristics (I_L (Line Current) = 30mA, Input Signal Frequency f_{in} = 1kHz, Ta = 25°C)

Parameter	Symbol	Condition	min	typ	max	Unit
Receiver System						
Receiver gain	G _{V-R}	Input a signal to the Pin ^② . Connect a resistor (3kΩ) and a capacitor (0.055μF) between the Pins ^③ and ^④ , and measure the output between the capacitors.	8.5	11	13.5	dB
Receiver automatic pad	A _{P-R}	Input a signal (-26dBV) to the Pin ^② . Measure an output change (both ends of the capacitor) when changing I _L from 30mA to 80mA.	-4.8	-3.4	-2.3	dB
Maximum receiver level	V _{O-R}	Input a signal to the Pin ^② and measure the output when an output distortion factor is 5%.	-3	0	—	dBV
KEY IN TONE gain	G _{V-KT}	Ground the Pin ^⑧ . Measure the receiver output when inputting a signal (-42dBV) to the Pin ^⑦ .	11.5	14	16.5	dB
Transmitter System						
Transmitter gain (1)	G _{V-T}	Input a signal (-47dBV) to the Pin ^⑮ and measure a transmission signal at a 600Ω load eed between the Pin ^② and GND.	37	39	41	dB
Transmitter automatic pad	A _{P-T}	Input a signal (-47dBV) to the Pin ^⑮ . Measure a change of transmission signal (600Ω end) when changing I _L from 30mA to 80mA.	-5.3	-3.7	-2.5	dB
Maximum transmission level	V _{O-T}	Input a signal to the Pin ^⑮ and measure the output when the output distortion factor of a transmission signal (600Ω end) is 5%.	-5	-1.4	—	dBV
DTMF gain	G _{V-DT}	Ground the Pin ^⑧ . Input a signal (-37dBV) to the Pin ^⑬ and measure a transmission signal (600Ω end).	25	27	29	dB
DTMF automatic pad	A _{P-DT}	Ground the Pin ^⑧ . Input a signal (-37dBV) to the Pin ^⑬ and measure an output change when I _L changes from 30mA to 80mA.	-5	-3.4	-2.2	dB
DTMF maximum transmission level	V _{O-DT}	Ground the Pin ^⑧ . Input a signal to the Pin ^⑬ and measure the output when the output distortion factor of a transmission signal (600Ω end) is 5%.	-5	-1.2	—	dBV
Power Supply						
DC line voltage (1)	V _{L-1}	Pin ^② DC voltage when I _L = 20mA	2.5	3.1	3.7	V
DC line voltage (2)	V _{L-2}	Pin ^② DC voltage when I _L = 120mA	5.5	7.5	11.5	V
Internal supply voltage (1)	V _{CC}	Pin ^② DC voltage when I _L = 20mA	1.8	2.08	2.4	V
Internal supply voltage (2)	V _{REF}	Pin ^① DC voltage when I _L = 20mA	0.88	1.03	1.18	V

Electrical Characteristics (cont.) (I_L (Line Current) = 30mA, Input Signal Frequency f_{in} = 1kHz, T_a = 25°C)

Parameter	Symbol	Condition	min	typ	max	Unit
Dial Mute Input						
Dial mute OFF	V_{DM-H}		0.8	—	V_{CC}	V
Dial mute ON	V_{DM-L}		—	—	0.3	V
Input current (1) *	I_{DM-H}	$V_{DM} = V_{CC}$	-2	0.1	2	μA
Input current (2) *	I_{DM-L}	$V_{DM} = 0V$	-2	-0.2	-0.02	μA
BN Control						
BN-1 ON	I_{L-BN1}	Increase I_L from 20mA and measure I_L when BN1 is turned ON and BN2 is turned OFF.	—	52	59	mA
BN-2 ON	I_{L-BN2}	Decrease I_L from 80mA and measure I_L when BN1 is turned OFF and BN2 is turned ON.	41	46	—	mA
Manual BN	V_{BN-L}	BN1 ON, BN2 OFF, S-BN ON	0.2	—	0.6	V
Input current *	I_{BN-L}	BN1 ON, BN2 OFF, $V_{BN} = 0.2V$	-1	—	—	mA
Manual Pad						
Manual pad	V_{AP-L}		0.2	—	0.6	V
Input current	I_{AP-L}	$V_{AP} = 0.2V$	-1	—	—	mA

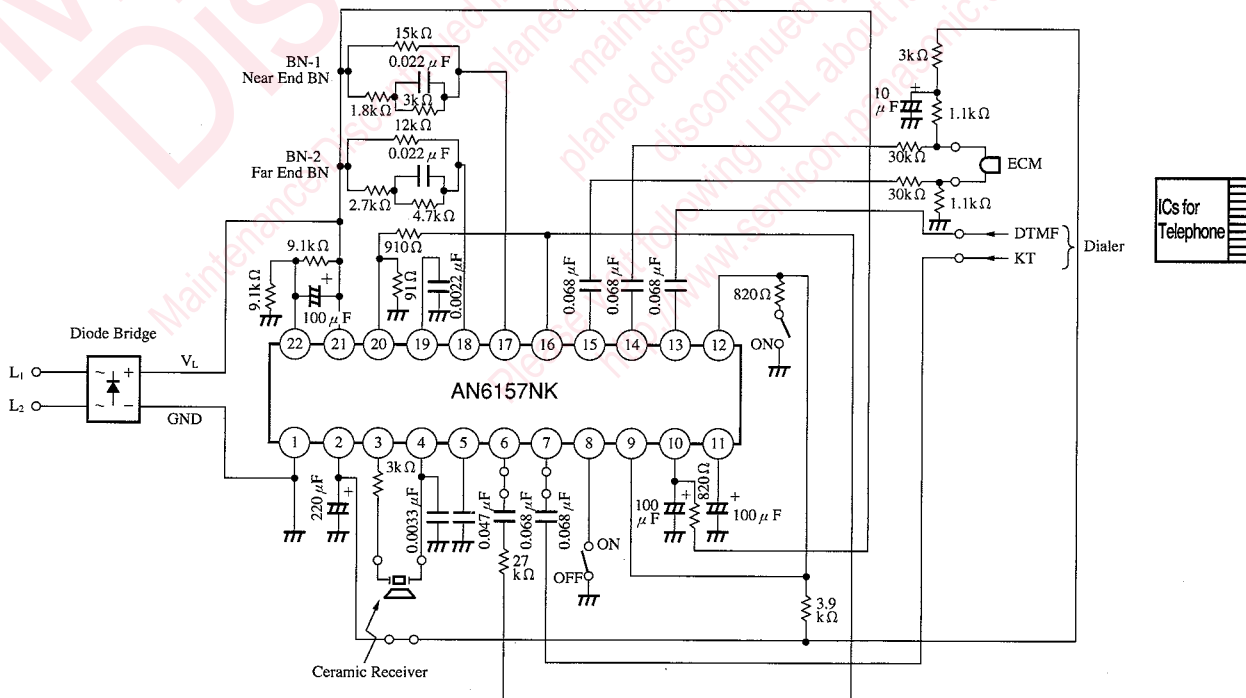
* For the balancing network constant, BN2 is connected.

Electrical Characteristics Design Reference Values (T_a = 25°C)

Parameter	Symbol	Condition	min	typ	max	Unit
Supply Voltage						
AC impedance (1)	Z_{AC-1}	$I_L = 30mA, f_{in} = 1kHz$	400	650	800	Ω
AC impedance (2)	Z_{AC-2}	$I_L = 80mA, f_{in} = 1kHz$	400	610	800	Ω

Note) The above characteristics are design reference values and not guaranteed values.

Application Circuit

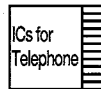


Pin Descriptions

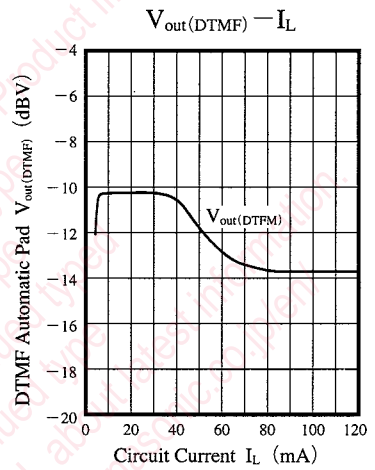
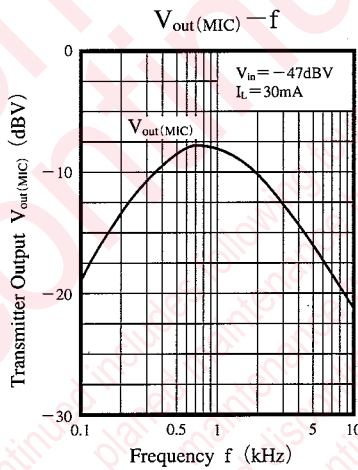
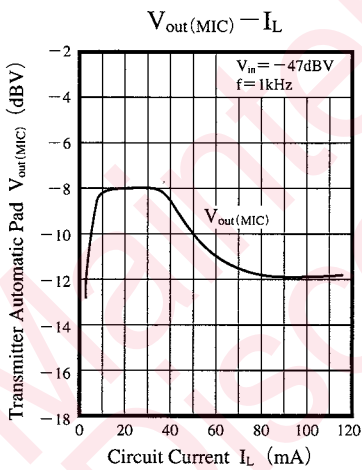
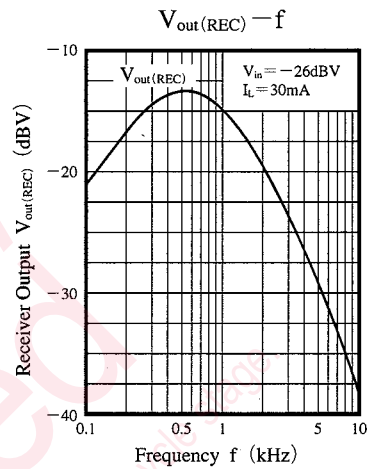
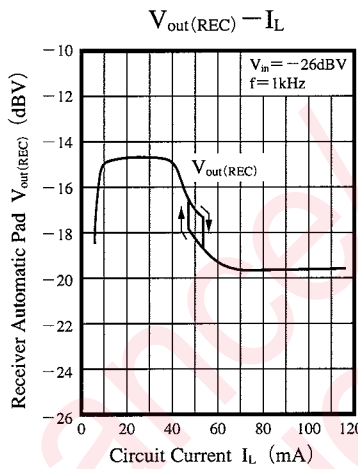
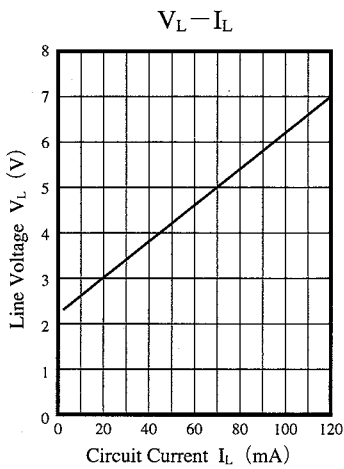
Pin No.	Pin name	Typical waveform	Description	Equivalent circuit
1	GND	DC 0V	Ground pin. Connect to the — output of the diode bridge.	
2	2V REG	DC 2V	2V internal stabilized power output pin. Connect to GND via 220 μF.	
3 4	REC OUT	1V 1V	Receiver output pin. The Pins ③ and ④ are of BTL output.	
5	REC filter	1V	Receiver filter pin. Between the receiver pre-amplifier step and output amplifier step. The input impedance is 2k Ω.	
6	REC IN	1V	Receiver input pin. A signal is output to the Pins ③, ④ and ⑤ when DM (Pin ⑧) is at the H level, and not output when at the L level.	
7	Key In tone IN	1V	KT signal input pin. A signal is output to the Pins ③, ④ and ⑤ when DM (Pin ⑧) is at the L level, and not output when at the H level.	
8	Dial mute SW	0V	Dial mute SW pin. Switches between the transmission signals (MIC, DTMF) and reception signals (REC, KT). MIC and REC are output at the high level, and KT and DTMF are output at the low level.	
9	Auto pad control	DC 0 to 2V	Automatic pad control pin. Connect a resistor between the Pin ② and this pin. Adjust the circuit current characteristic of the pad depending on an external resistance value. Connecting this pin to Vcc maximizes the gain, and setting it to the Low level minimizes the gain. (manual pad)	
10	BN-SW VL	DC 3 to 8V	BN Circuit power pin. Connect a resistor (typ. 820 Ω) between VL (Pin ②) and a capacitor (typ. 220 μF) between GND and this pin.	
11	VREF	DC 1V	1V internal stabilized power output pin. Reference voltage to determine the operating point of the internal circuit. No power input/output is allowed to this pin.	

■ Pin Descriptions (cont.)

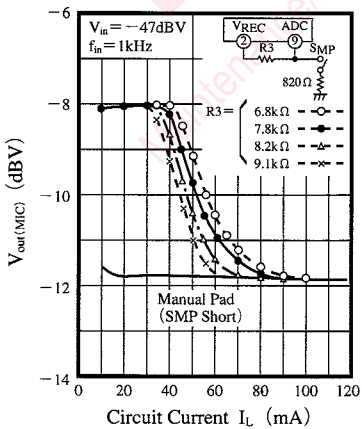
Pin No.	Pin name	Typical waveform	Description	Equivalent circuit
12	BN control	DC 0 to 2V	BN control pin. Connect resistor between the Pin⑫ and this pin. Switches BN with the voltage generated at this pin. If this pin is connected to 2V, the BN-2 (for far end) side tone preventive circuit network is connected, and if set to the Low level, the BN-1 (for near end) side tone preventive circuit network is connected.	
13	DTMF IN		DTMF signal input pin. Input a DTMF signal from the dialer, etc. It is sent to the circuit when DM (Pin⑧) is at the L level, and not sent when at the H level.	
14 15	MIC IN		MIC input pin. Microphone input pin. The Pins⑭ and ⑮ are of differential input and sent to the circuit when the DM (Pin⑧) is at the H level, and not sent when at the L level.	
16 17 18	BN OUT BN-1 BN-2		BN output pin (Pin⑯). BN connection pins (Pins⑰ and ⑱). Switches the circuit network between the Pin⑯ and Pin⑰ and Pin⑱. Connect the near end BN circuit to the Pin⑰ and the far end BN circuit to the Pin⑱.	
19	SEND filter		Transmission filter pin. A transmission system L.P.F consists of capacitors connected between this pin and GND.	
20	Side tone		Transmitter output pin. Connect a resistor between GND and this pin. The transmitter system gain changes depending on this resistance value. A circuit output inverting signal is output.	
21	V _L		Circuit input pin. Connect to the + output of the diode bridge.	
22	V _{LC}	DC 1 to 6V	Circuit voltage control pin. Connect a resistor and a capacitor between this pin and V _L (Pin⑳), and a resistor between this pin and GND. The DC characteristics of V _L can be adjusted depending on a resistance value.	



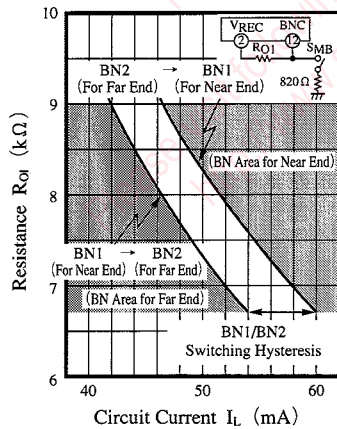
■ Characteristics Curve



$V_{out(MIC)} - I_L$ (Pad Characteristic Control)



BN Switching Setting



Request for your special attention and precautions in using the technical information and semiconductors described in this book

- (1) If any of the products or technical information described in this book is to be exported or provided to non-residents, the laws and regulations of the exporting country, especially, those with regard to security export control, must be observed.
- (2) The technical information described in this book is intended only to show the main characteristics and application circuit examples of the products. No license is granted in and to any intellectual property right or other right owned by Panasonic Corporation or any other company. Therefore, no responsibility is assumed by our company as to the infringement upon any such right owned by any other company which may arise as a result of the use of technical information described in this book.
- (3) The products described in this book are intended to be used for standard applications or general electronic equipment (such as office equipment, communications equipment, measuring instruments and household appliances).
Consult our sales staff in advance for information on the following applications:
 - Special applications (such as for airplanes, aerospace, automobiles, traffic control equipment, combustion equipment, life support systems and safety devices) in which exceptional quality and reliability are required, or if the failure or malfunction of the products may directly jeopardize life or harm the human body.
 - Any applications other than the standard applications intended.
- (4) The products and product specifications described in this book are subject to change without notice for modification and/or improvement. At the final stage of your design, purchasing, or use of the products, therefore, ask for the most up-to-date Product Standards in advance to make sure that the latest specifications satisfy your requirements.
- (5) When designing your equipment, comply with the range of absolute maximum rating and the guaranteed operating conditions (operating power supply voltage and operating environment etc.). Especially, please be careful not to exceed the range of absolute maximum rating on the transient state, such as power-on, power-off and mode-switching. Otherwise, we will not be liable for any defect which may arise later in your equipment.
 - Even when the products are used within the guaranteed values, take into the consideration of incidence of break down and failure mode, possible to occur to semiconductor products. Measures on the systems such as redundant design, arresting the spread of fire or preventing glitch are recommended in order to prevent physical injury, fire, social damages, for example, by using the products.
- (6) Comply with the instructions for use in order to prevent breakdown and characteristics change due to external factors (ESD, EOS, thermal stress and mechanical stress) at the time of handling, mounting or at customer's process. When using products for which damp-proof packing is required, satisfy the conditions, such as shelf life and the elapsed time since first opening the packages.
- (7) This book may be not reprinted or reproduced whether wholly or partially, without the prior written permission of our company.



LittleDiode supplies new, hard to find or obsolete electronic components and semiconductors all over the world.

With over two million different components listed you are sure to find the part you need.

Feel free to visit us today at our online store:

LittleDiode.com

Looking forward to providing you with the best possible service.