

AN6108SA (under development)

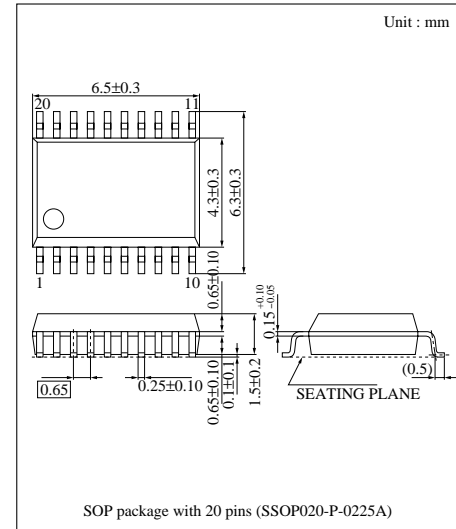
Digital Communication IF Amplifier IC

Overview

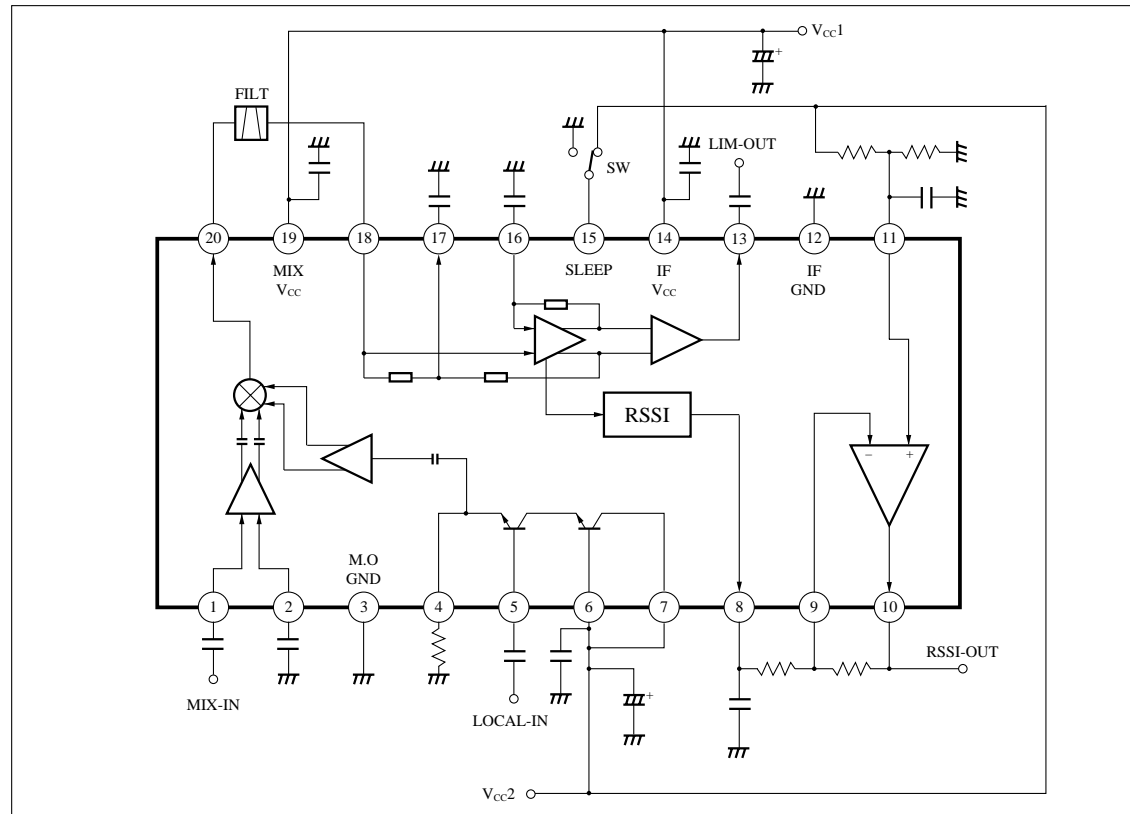
The AN6108SA is an IF amplifier IC for digital communication. It supports mixer input frequencies up to 300 MHz, featuring low current consumption.

Features

- Operating supply voltage range : 2.7 to 4V
- Current consumption : Typ 8.0 mA during operation, 10 μ A or less at sleep
- RSSI input D range : 80dB
- Built-in operational amplifier allowing RSSI polarity to be changed.
- Package : SSOP-20D with 0.65 mm pitch



Block Diagram



■ Pin Descriptions

| Pin No. | Description | Pin No. | Description |
|---------|----------------------|---------|----------------------|
| 1 | MIX-IN | 11 | OP-POS |
| 2 | MIX-DEC | 12 | GND-IF |
| 3 | GND-MIX/OSC | 13 | LIM-OUT |
| 4 | OSC1 | 14 | V _{CC} -IF |
| 5 | OSC2 | 15 | SLEEP |
| 6 | V _{CC} -OSC | 16 | LIM-DEC2 |
| 7 | OSC-OUT | 17 | LIM-DEC1 |
| 8 | RSSI-OUT | 18 | LIM-IN |
| 9 | OP-NEG | 19 | V _{CC} -MIX |
| 10 | OP-OUT | 20 | MIX-OUT |



LittleDiode supplies new, hard to find or obsolete electronic components and semiconductors all over the world.

With over two million different components listed you are sure to find the part you need.

Feel free to visit us today at our online store:

LittleDiode.com

Looking forward to providing you with the best possible service.