

AN6107SA (under development)

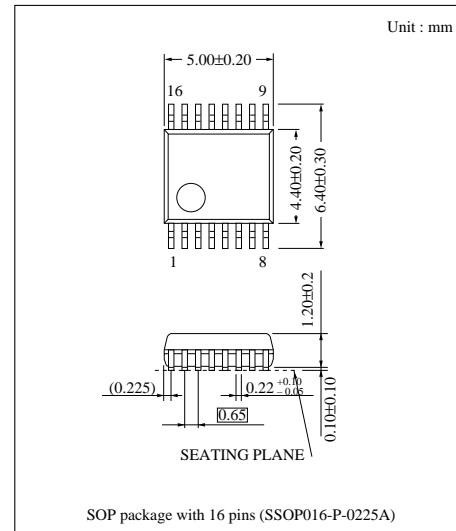
Digital Communication IF Amplifier IC

■ Overview

The AN6107SA is an IF amplifier IC for digital cellular telephones. It supports mixer input frequencies up to 150 MHz, featuring low current consumption.

■ Features

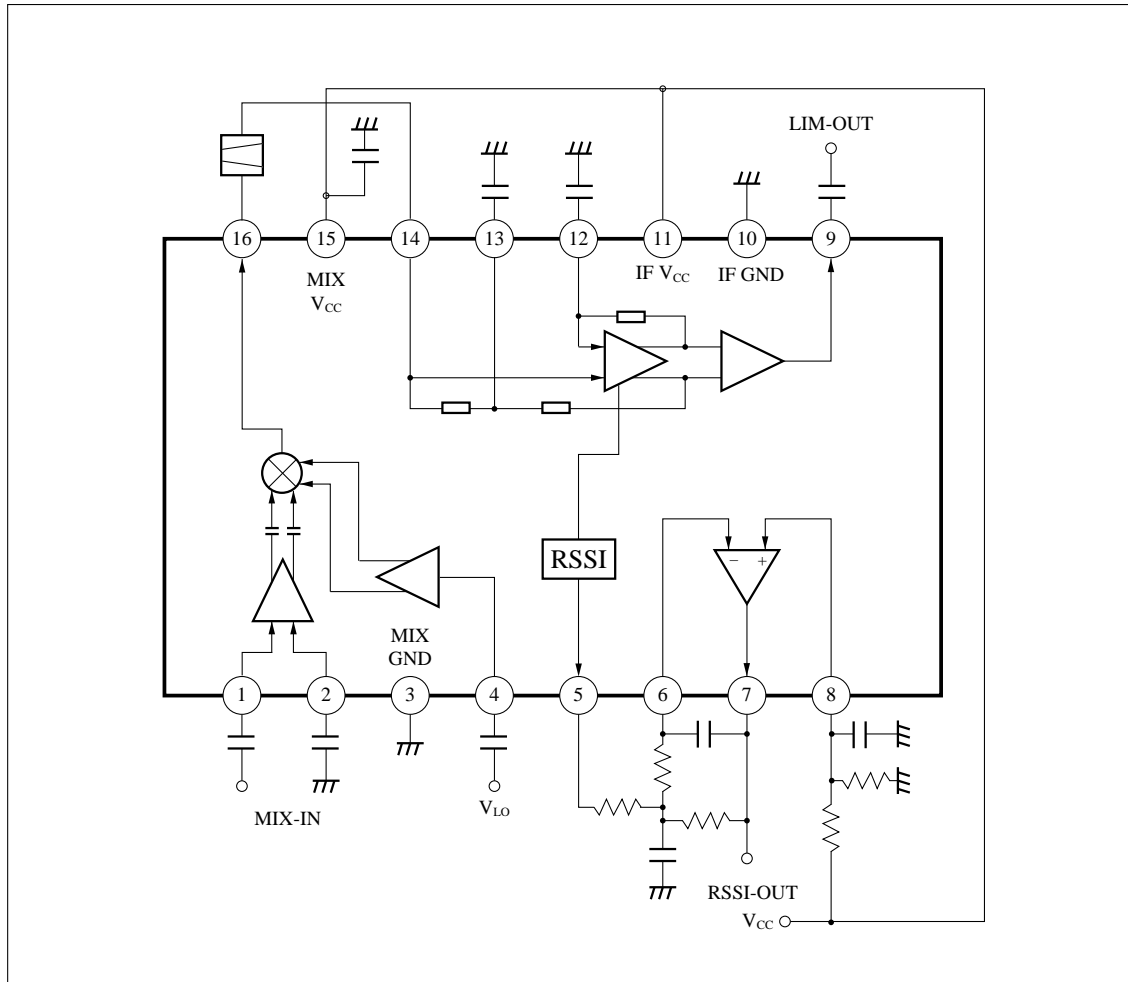
- Operating supply voltage range : 2.7 to 4 V
- Current consumption : Typ 3.9 mA during operation, 10 μ A or less at sleep
- RSSI input D range : 80 dB
- Built-in operational amplifier.
- Package : SSOP016-P-0225A with 0.65 mm pitch



■ Pin Descriptions

Pin No.	Description	Pin No.	Description
1	MIX-IN	9	LIM-OUT
2	MIX-DEC	10	GND-IF
3	GND-MIX	11	V _{CC} -IF
4	LO-IN	12	LIM-DEC2
5	RSSI-OUT	13	LIM-DEC1
6	OP-NEG	14	LIM-IN
7	OP-OUT	15	V _{CC} -MIX
8	OP-POS/SLEEP	16	MIX-OUT

■ Block Diagram





LittleDiode supplies new, hard to find or obsolete electronic components and semiconductors all over the world.

With over two million different components listed you are sure to find the part you need.

Feel free to visit us today at our online store:

LittleDiode.com

Looking forward to providing you with the best possible service.