

TRANSISTOR PROTECTION BY TRANSIL™

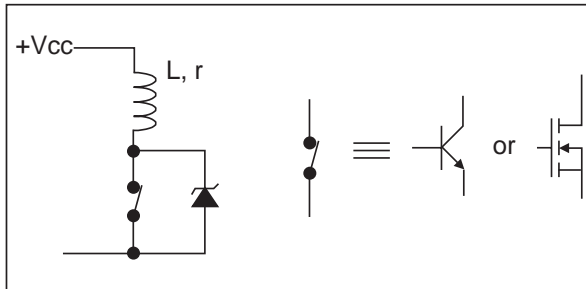
B.RIVET

INTRODUCTION

In a large number of applications, we find the circuit in Fig. 1 where a TRANSIL™ is used to protect a switch that controls an inductive load. The switch can be a bipolar or a MOS transistor.

The purpose of this paper is to calculate the dissipated power in the TRANSIL™ and the pulse current duration.

Fig. 1: Basic diagram

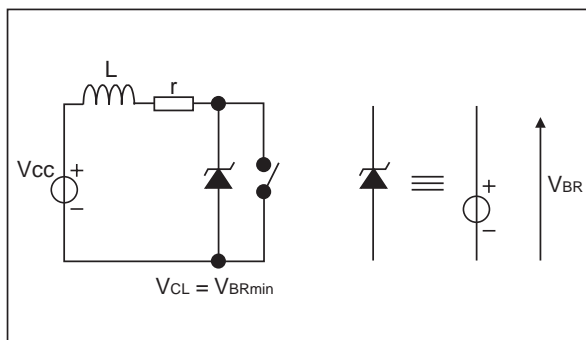


1. CIRCUIT MODELLING

When the switch turns off we use the equivalent circuit represented in Fig. 2.

The worst case is to consider $V_{CL} = V_{BR \min}$. This hypothesis will be used in all formulae.

Fig. 2: Equivalent Circuit



V_{CL}	Clamping voltage
V_{BR}	Breakdown voltage

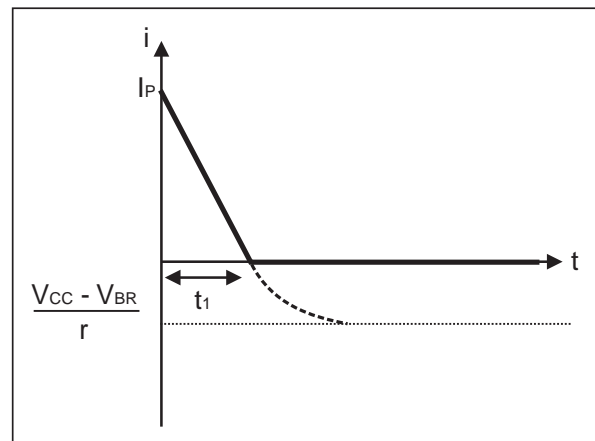
2. CURRENT IN THE TRANSIL

We can express the current i through the TRANSIL by the following formula:

$$i = \left(I_p + \frac{V_{BR \min} - V_{cc}}{r} \right) \exp(-r \times t/L) + \left(\frac{V_{cc} - V_{BR \min}}{r} \right)$$

I_p is the current through the coil when the transistor switches off. Fig. 3 shows the current variation versus time.

Fig. 3: Current Waveform



t_1 can be calculated by:

$$t_1 = -\frac{L}{r} \times \ln \left(\frac{V_{BR \min} - V_{cc}}{V_{BR \min} - V_{cc} + r I_p} \right)$$

APPLICATION NOTE

3. TRANSIL POWER DISSIPATION

We can consider two cases, single pulse operation and repetitive pulse operation.

3.1. Single pulse operation

In this case, in order to define a TRANSIL we need the peak power P_P and the pulse current standard duration t_P .

P_P is given by: $P_P = V_{BR\ min} \times I_P$

If we approximate the pulse current with a triangle, the standard exponential equivalent pulse duration t_P is calculated by the formula:

$$t_P = -\left(14 \frac{L}{2r}\right) \times \ln\left(\frac{V_{BR\ min} - V_{cc}}{V_{BR\ min} - V_{cc} + rI_P}\right)$$

The energy in the TRANSIL can be expressed by:

$$W = \left(\frac{V_{BR\ min} \times L}{r}\right) \times \left[I_P + \left(\frac{V_{BR\ min} - V_{cc}}{r}\right) \ln\left(\frac{V_{BR\ min} - V_{cc}}{V_{BR\ min} - V_{cc} + rI_P}\right) \right]$$

When r tends to zero we find:

$$W = \frac{1}{2} L I_P^2 \left(\frac{V_{BR\ min}}{V_{BR\ min} - V_{cc}}\right)$$

3.2. Repetitive pulse operation

In repetitive pulse operation the power dissipation can be calculated by the following formula:

$$P = F \times \left(\frac{V_{BR\ min} \times L}{r}\right) \times \left[I_P + \left(\frac{V_{BR\ min} - V_{cc}}{r}\right) \ln\left(\frac{V_{BR\ min} - V_{cc}}{V_{BR\ min} - V_{cc} + rI_P}\right) \right]$$

When r tends to zero we find:

$$P = \frac{1}{2} F L I_P^2 \left(\frac{V_{BR\ min}}{V_{BR\ min} - V_{cc}}\right)$$

Where F is the switching frequency.

4. EXAMPLE OF APPLICATION

A typical application would be a switched coil supplied by a battery. The different parameters of the application are:

$V_{CC} = 14V$, $L = 10mH$, $r = 3$, $I_P = 4A$

TRANSIL: SM6HT36A, $V_{BR\ min} = 34.2V$

4.1. Single pulse

We find

$$P_P = 32.4 \times 4 = 136.8W$$

$$t_P = \frac{-14 \times 10 \times 10^{-3}}{2 \times 3} \ln\left(\frac{34.2 - 14}{34.2 - 14 + 3 \times 4}\right)$$

$$t_P = 1.08ms$$

The datasheet gives $P_P \approx 450W$ for $t_P = 2ms$, so the SM6HT36A can be used in this application.

4.2. Repetitive pulse operation

The switching frequency is equal to 10Hz so

$$P = 10 \times \frac{34.2 \times 10 \times 10^{-3}}{3} \times \left[4 + \left(\frac{34.2 - 14}{3}\right) \ln\left(\frac{34.2 - 14}{34.2 - 14 + 3 \times 4}\right) \right]$$

$$P = 980mW$$

We have:

$$T_j = P \cdot R_{th(j-a)} + T_{amb\ max}$$

With $T_{amb\ max} = 50^\circ C$, $R_{th(j-a)} = 75^\circ C/W$ (with copper surface under each lead equal to $2.5cm^2$) we find:

$$T_j = 0.98 \times 75 + 50 = 123.5^\circ C$$

T_j max being equal to $175^\circ C$ we can also use this TRANSIL in repetitive pulse operation.

Information furnished is believed to be accurate and reliable. However, STMicroelectronics assumes no responsibility for the consequences of use of such information nor for any infringement of patents or other rights of third parties which may result from its use. No license is granted by implication or otherwise under any patent or patent rights of STMicroelectronics. Specifications mentioned in this publication are subject to change without notice. This publication supersedes and replaces all information previously supplied. STMicroelectronics products are not authorized for use as critical components in life support devices or systems without express written approval of STMicroelectronics.

The ST logo is a registered trademark of STMicroelectronics

© 2001 STMicroelectronics - Printed in Italy - All rights reserved.

STMicroelectronics GROUP OF COMPANIES

Australia - Brazil - China - Finland - France - Germany - Hong Kong - India - Italy - Japan - Malaysia
Malta - Morocco - Singapore - Spain - Sweden - Switzerland - United Kingdom - U.S.A.

<http://www.st.com>





LittleDiode supplies new, hard to find or obsolete electronic components and semiconductors all over the world.

With over two million different components listed you are sure to find the part you need.

Feel free to visit us today at our online store:

LittleDiode.com

Looking forward to providing you with the best possible service.