

AN5795NK

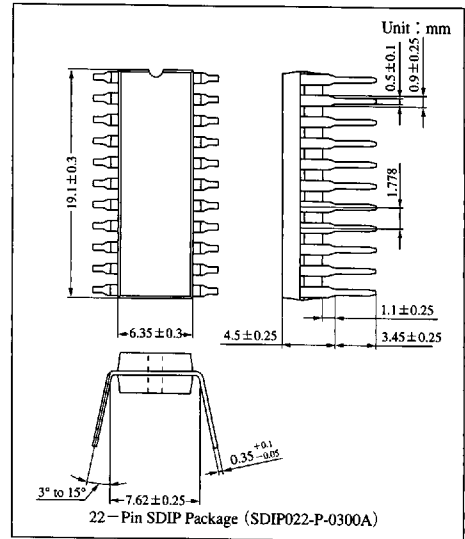
Deflection Signal Processor IC for CRT

Overview

The AN5795NK is a deflection signal processor IC for CRT. It can support up to 130kHz horizontal oscillation frequency. It incorporates horizontal position adjustment and duty-cycle adjustment functions.

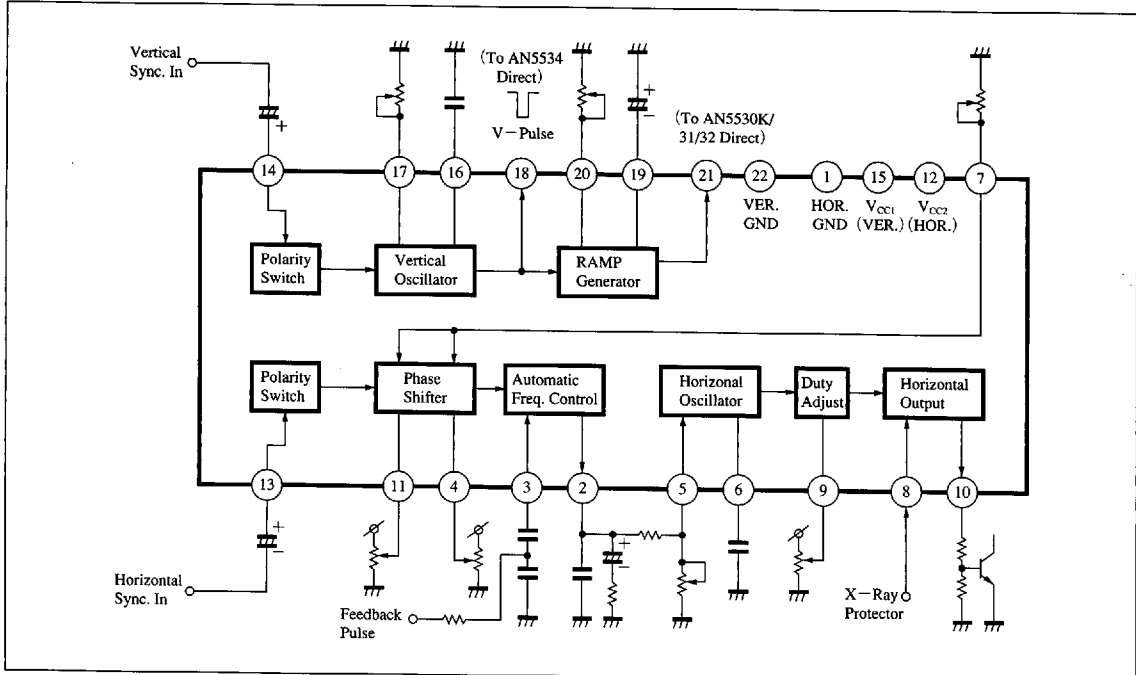
Features

- Supporting horizontal and vertical synchronization inputs for either polarity
- Horizontal oscillation frequency : f_H max. = 130kHz
- Built-in vertical saw-tooth wave generator
- Vertical oscillation pulse width : $600\mu s$



ICs for TV

Block Diagram



■ Absolute Maximum Ratings

Parameter	Symbol	Rating	Unit
Supply voltage	V_{CC}	13.2	V
Supply current	I_{CC}	40.0	mA
Power dissipation ^{Note 2)}	P_D	530	mW
Operating ambient temperature ^{Note 1)}	T_{opr}	-20 to +70	°C
Storage temperature ^{Note 1)}	T_{stg}	-55 to +150	°C

Note 1) $T_a = 25^\circ\text{C}$ except operating ambient temperature and storage temperature.

Note 2) Allowable power dissipation of the package at $T_a = 70^\circ\text{C}$.

■ Recommended Operating Range ($T_a = 25^\circ\text{C}$)

Parameter	Symbol	Range
Operating supply voltage range	V_{CC}	9.8V to 13.0V

■ Electrical Characteristics ($T_a = 25 \pm 2^\circ\text{C}$)

Parameter	Symbol	Condition	min	typ	max	Unit
Circuit voltage	I_{I5}		6.9	8.5	10.1	mA
	I_{I2}		9.4	10.8	12.0	mA
	V_3		6.2	7.0	7.8	V
	V_5		6.3	7.1	7.9	V
	V_7		6.4	7.4	8.2	V
	V_{13}		2.4	2.9	3.4	V
	V_{14}		2.4	2.9	3.4	V
	V_{17}		6.4	7.4	8.2	V
	V_{20}		4.9	5.9	6.8	V
Horizontal output voltage (H)	$V_{10-1(H)}$		3.8	4.3	4.9	V
Horizontal output voltage (L)	$V_{10-1(L)}$		-0.2	0.1	0.2	V
X-ray protective circuit operation voltage	V_{8-1}		0.75	0.86	0.97	V
Horizontal oscillation starting supply voltage	$V_{fh, s}$	$f_{ho} = 15.5\text{kHz}$	—	—	9.7	V
Horizontal oscillation frequency (free-run)	$f_{ho} (1)$	Pin⑤ = 39k Ω , Pin⑥ = 1200pF	15.0	15.75	16.5	kHz
Horizontal oscillation frequency (max.)	$f_{ho} (2)$	Pin⑤ = 18k Ω , Pin⑥ = 270pF	100	115	130	kHz
Oscillation frequency control sensitivity	β	$\Delta I = \pm 80\mu\text{A}$	75.0	82.0	90.0	Hz/ μA
Horizontal output duty (min.)	$t_d (1)$	Pin⑨ = 7.3V	7.0	9.9	12.5	%
Horizontal output duty (max.)	$t_d (2)$	Pin⑨ = 9.4V	90.5	94.5	97.5	%
Horizontal phase adjustment (min.)	$t_p (1)$	Pin⑪ = 1.2V, Pin⑦ = 24k Ω	0.5	1.0	1.5	μs
Horizontal phase adjustment (max.)	$t_p (2)$	Pin⑦ = 24k Ω , Pin⑪ = 5V	3.2	3.7	4.2	μs
Horizontal phase adjustment quantity	$t_p (3)$	Pin⑦ = 83k Ω , Pin⑪ = 5V	11.5	12.4	13.3	μs
Horizontal phase pulse width (min.)	$t_{pw} (1)$	Pin④ = 1.5V, Pin⑦ = 24k Ω	0.5	1.0	1.5	μs
Horizontal phase pulse width (max.)	$t_{pw} (2)$	Pin⑦ = 83k Ω , Pin④ = 5V	11.1	12.2	13.2	μs
Hsync input amplitude (min.)	V_{13-1}	$V_{CC} = 12\text{V}$	—	—	2.9	V_{P-P}
Vertical oscillation start supply voltage	$V_{fv, s}$	$f_{vo} = 54\text{Hz}$	—	—	7.8	V
Vertical oscillation frequency (free-run)	$f_{vo} (1)$	Pin⑰ = 49k Ω , Pin⑱ = 0.039 μF	45	50	55	Hz
Vertical oscillation frequency (max.)	$f_{vo} (2)$	Pin⑰ = 13.9k Ω Pin⑱ = 0.039 μF	140	150	160	Hz
Vertical pulse output width	t_{vo}	$f_{vin} = 60\text{Hz}$, $f_{vo} = 50\text{Hz}$	0.45	0.50	0.55	ms
Vertical pull-in range	f_{pv}	$f_{vin} = 140\text{Hz}$, $f_{vo} = 50\text{Hz}$	89	90	91	Hz
Vsync input amplitude (min.)	V_{14-22}	$f_{vin} = 60\text{Hz}$, $f_{vo} = 50\text{Hz}$	—	—	2.9	V_{P-P}

■ Electrical Characteristics [Reference Value] ($T_a = 25 \pm 2^\circ\text{C}$)

Parameter	Symbol	Condition	Reference value	Unit
Horizontal oscillation supply fluctuation	$\Delta f_{ho}/\Delta V_{CC}$	$V_{CC2} = 10.8$ to 13.2V $f_{ho} = 31.5\text{kHz}$	141	Hz/V
Horizontal oscillation temperature fluctuation	$\Delta f_{ho}/\Delta t$	$V_{CC2} = 12\text{V}$ $f_{ho} = 31.5\text{kHz}$	2.7	Hz/ $^\circ\text{C}$
Phase detection sensitivity	μ	$V_{CC2} = 12\text{V}$	67	$\mu\text{A}/\mu\text{s}$
Horizontal output duty supply fluctuation	$\Delta t_d/\Delta V_{CC}$	$V_{CC2} = 10.8$ to 13.2V $t_d = 32\%$, $f_{ho} = 31.5\text{kHz}$	0.7	%/V
Horizontal output duty temperature fluctuation	$\Delta t_d/\Delta t$	$t_d = 32\%$, $f_{ho} = 31.5\text{kHz}$	0.023	%/ $^\circ\text{C}$
Horizontal output drive current	I_{I0}	$V_{CC2} = 12\text{V}$	5 (max.)	mA
Horizontal phase supply fluctuation	$\frac{\Delta t_p/\Delta t_{pref}}{\Delta V_{CC}}$	$V_{CC2} = 10.8$ to 13.2V $t_{pref} = 6\mu\text{s}$	0.16	%/V
Horizontal phase temperature fluctuation	$\frac{\Delta t_p/\Delta t_{pref}}{\Delta t}$	$t_{pref} = 6\mu\text{s}$	0.03	%/ $^\circ\text{C}$
Horizontal phase pulse supply fluctuation	$\Delta t_{pw}/\Delta V_{CC}$	$V_{CC2} = 10.8$ to 13.2V $t_{pwref} = 6\mu\text{s}$	0.48	%/V
Horizontal phase pulse temperature fluctuation	$\Delta t_{pw}/\Delta t$	$t_{pwref} = 6\mu\text{s}$	0.03	%/ $^\circ\text{C}$
Vertical oscillation supply fluctuation	$\Delta f_{vo}/\Delta V_{CC}$	$V_{CC1} = 10.8$ to 13.2V $f_{vo} = 50\text{Hz}$	0.59	Hz/V
Vertical oscillation temperature change	$\Delta f_{vo}/\Delta t$	$f_{vo} = 50\text{Hz}$	0.01	Hz/ $^\circ\text{C}$

Note) The above characteristics are only theoretical values on design, and are not entirely guaranteed by the inspection.

■ Pin Descriptions

Pin No.	Pin name	Pin No.	Pin name
1	Horizontal system GND	12	V_{CC2} (Hor. system power supply)
2	AFC output	13	Hor. sync. signal input
3	FBP input for AFC	14	Ver. sync. signal input
4	Hor. phase pulse width control	15	V_{CC1} (Ver. system power supply)
5	Resistor pin for hor. oscillation	16	Capacitor pin for ver. oscillation
6	Capacitor pin for hor. oscillation	17	Resistor pin for ver. oscillation
7	Current control for phase adj.	18	Vertical pulse output
8	X-RAY protector	19	Capacitor pin for RAMP generation
9	DUTY control	20	Resistor pin for RAMP generation
10	Horizontal output	21	RAMP waveform output
11	Hor. phase adj.	22	Vertical system GND

ICs for
TV



LittleDiode supplies new, hard to find or obsolete electronic components and semiconductors all over the world.

With over two million different components listed you are sure to find the part you need.

Feel free to visit us today at our online store:

LittleDiode.com

Looking forward to providing you with the best possible service.