
Application Note

Design Notes for a 2-Pole Filter

by
Steven Green

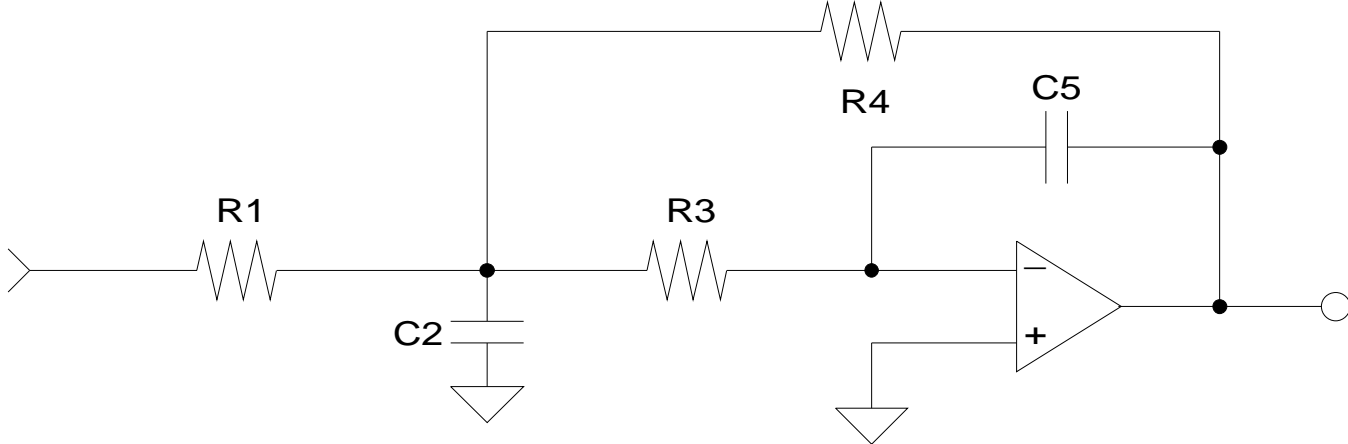


Figure 1. 2-Pole Low-Pass Filter

Introduction

The recommended application of the CS4327, discussed in the CS4327 data sheet, requires a second-order analog filter to reduce the out-of-band noise produced by the delta-sigma modulator. The circuit shown in Figure 1 is the second-order analog filter implemented on the CS4327 evaluation board, CDB4327. This application note outlines the design steps required to determine filter component values.

Design Steps

Step 1: Determine the required pass band gain, H_0 .
The output level for the CDB4327 is 2V_{rms} to be compatible with standard consumer audio levels. This required H_0 equal to -2. Notice that H_0 is also negative due to the inverting op-amp configuration.

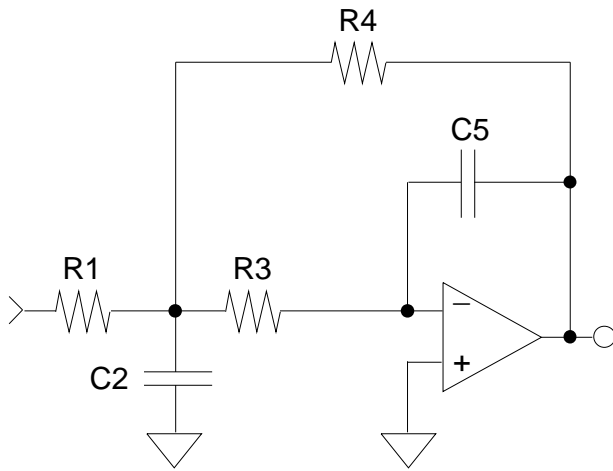


Figure 2. Multiple-Feedback Low-Pass Filter

Step 2: Select the desired filter type, Butterworth, Bessel, etc. and the corner frequency, F_c , for the final design. The filter response and corner frequency determine the audio band phase and amplitude response. The filter type determines the pole-locations and therefore α and β . Table 1 lists the normalized pole locations for several filter types.

FILTER TYPE	α	β
Butterworth	0.7071	0.7071
Bessel	1.1030	0.6368
0.01 dB Chebyshev	0.6743	0.7075
0.1 dB Chebyshev	0.6104	0.7106

Table 1. Normalized Pole Locations

Step 3: Select standard values for C_5 and C_2 . Notice in Step 4 that K (C_5/C_2) and H_0 must be selected such that $\sqrt{\zeta^2 - K(1 - H_0)}$ is real.

Step 4: Given F_c , H_0 , C_2 , C_5 , α and β , calculate R_1 , R_2 and R_3 using the following equations. H_0 will be a negative number due to the inverting op-amp.

$$\zeta = \frac{\alpha}{\sqrt{\alpha^2 + \beta^2}}$$

$$\omega_0 = 2\pi F_c \sqrt{\alpha^2 + \beta^2}$$

$$K = \frac{C_5}{C_2}$$

$$R_3 = \frac{1}{\omega_0 C_2 [\zeta \pm \sqrt{\zeta^2 - K(1 - H_0)}}$$

$$R_4 = \frac{\zeta \pm \sqrt{\zeta^2 - K(1 - H_0)}}{\omega_0 C_5}$$

$$R_1 = \frac{R_4}{(-H_0)}$$

Step 5: It is recommended that R_1 be a minimum of 10 kohm to meet the CS4327 load requirements. However, values larger than 10 kohm can lead to small capacitor values (ten's of picofarads) where stray capacitance can be an appreciable amount of the total circuit capacitance. It may be necessary to adjust the capacitor values chosen in Step 3 to minimize the effects of stray capacitance and meet the minimum load requirement.

Step 6: The resistor values calculated in Step 4 are generally not standard values. Select standard values which are nearest the calculated values. This should not create a large change in the filter characteristics since metal film resistors are available in approximately 2.5% increments which allows for component selection near the calculated values.

Design Example

The following example shows the steps required to duplicate the CDB4327 filter.

Step 1: The desired output level is 2 V_{rms} which requires a pass band gain, H_o, of -2.

Step 2: A two-pole Butterworth with a corner frequency of 50 kHz was selected for this application. This filter attenuates the signal at 20 kHz by approximately 0.1 dB and has nearly ideal phase linearity within the audio band. Though popular for audio applications, a Bessel response will achieve negligible phase improvement at the expense of degraded amplitude response for this application.

$$F_c = 50 \text{ kHz}$$

$$\alpha = .7071$$

$$\beta = .7071$$

Step 3: Select standard values for C₅ and C₂.

$$C_5 = 150 \text{ pF}$$

$$C_2 = 1000 \text{ pF}$$

Step 4: Given F_c, H_o, C₂, C₅, α and β, calculate R₁, R₃ and R₄.

$$R_1 = 9.875 \text{ kohm}$$

$$R_3 = 3.42 \text{ kohm}$$

$$R_4 = 19.75 \text{ kohm}$$

Step 5: Verify that R₁ is greater than or equal to 10 kohm.

$$R_1 = 10 \text{ kohm}$$

Step 6: Select standard values which are nearest the calculated values.

$$R_1 = 10 \text{ kohm}$$

$$R_3 = 3.4 \text{ kohm}$$

$$R_4 = 20 \text{ kohm}$$

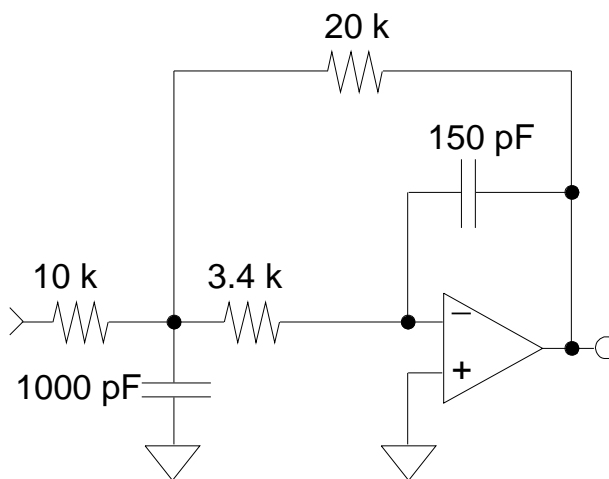


Figure 4. Filter Design

References

- [1] C. L. Lindquist, "Active Network Design with Signal Filtering Applications", Steward & Sons
- [2] A. B. Williams, "Electronic Filter Design Handbook", McGraw-Hill
- [3] "Reference Data for Radio Engineers" (Fourth Edition), International Telephone and Telegraph Corporation
- [4] CS4327 Data sheet DS190PP1, Crystal Semiconductor
- [5] CDB4327 Data sheet DS190DB1, Crystal Semiconductor



LittleDiode supplies new, hard to find or obsolete electronic components and semiconductors all over the world.

With over two million different components listed you are sure to find the part you need.

Feel free to visit us today at our online store:

LittleDiode.com

Looking forward to providing you with the best possible service.