

AN5422K

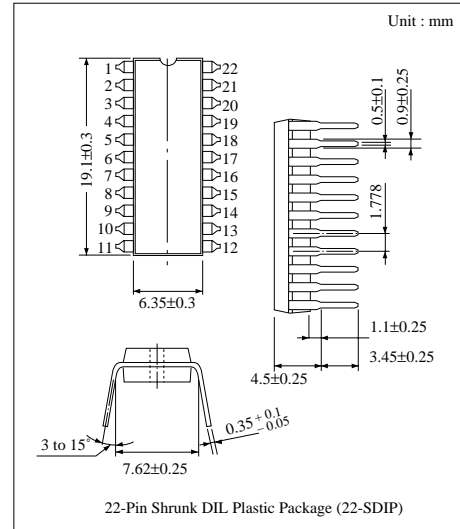
Deflection-Signal-Processing IC for TV/Display

■ Overview

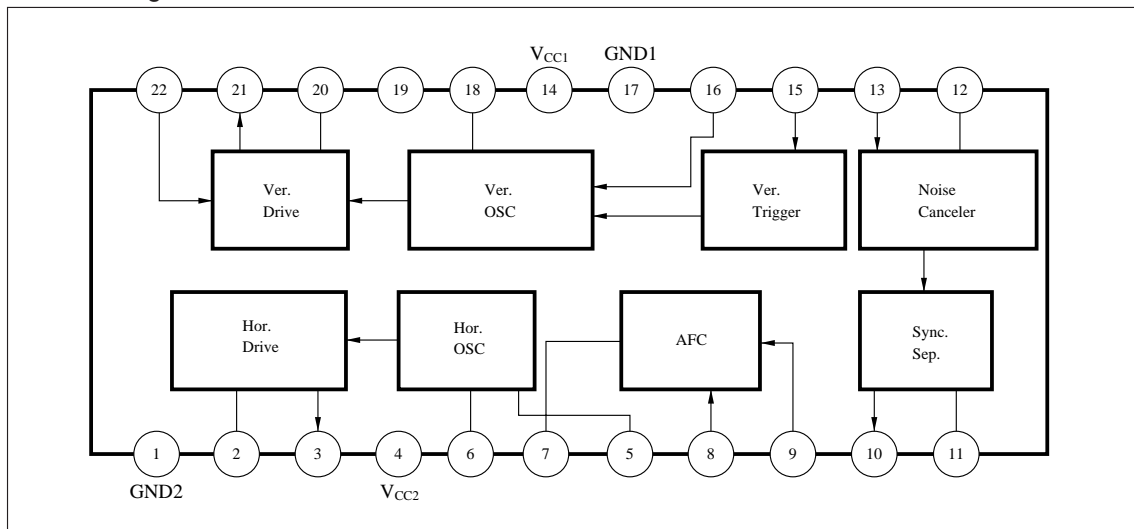
The AN5422K is an integrated circuit for TV/display deflection-signal-processing circuit. Horizontal oscillation frequency is up to 120kHz. The duty of a horizontal output pulse can be changed by the external bias so that the display is designed easily.

■ Features

- Noise canceller circuit built-in (with lock-out preventive circuit)
- The duty of a horizontal output pulse can be changed by the external bias.
- Horizontal oscillation frequency : max. 120kHz
- X-ray protector built-in (shutdown)
- Vertical drive circuit built-in



■ Block Diagram



■ Absolute Maximum Ratings (Ta= 25°C)

Parameter	Symbol	Rating	Unit
Supply voltage	V _{CC}	(V ₁₄₋₁₇) 14.4	V
Supply current	I _{CC}	(I ₁₄) 30	mA
		(I ₄) 40	
Power dissipation (Ta=70°C)	P _D	1290	mW
Operating ambient temperature	T _{opr}	- 20 to + 70	°C
Storage temperature	T _{stg}	- 55 to +150	°C

■ Recommended Operating Range (Ta=25°C)

Parameter	Symbol	Range
Operating supply voltage range	V _{CC}	9.6V to 14.4V

■ Electrical Characteristics (Ta= 25°C)

Parameter	Symbol	Condition	min	typ	max	Unit
Overvoltage-protective-circuit operation-input voltage	V ₂₋₁		0.65	0.71	0.76	V
SYNC.SEP horizontal synchronous pulse width	τ _{sync (1)}	Video input 1.4V _{P-P} , V _{CC1} =12V	4.4	4.8	5.2	μs
Horizontal AFC horizontal synchronous pulse width	τ _{sync (2)}	Video input 1.4V _{P-P} , V _{CC1} =12V	4.5	4.9	5.3	μs
Noise detection sensitivity (1)	e _{n1}	f= 60Hz, 4μs, 0.7V _{PP}	10.5	—	—	V _{PP}
Noise detection sensitivity (2)	e _{n2}	f= 3.58MHz, 1.2V _{PP}	—	—	0.5	V _{PP}
Vertical oscillation frequency	f _{VO}	V _{CC1} =12V	51	55	59	Hz
Vertical output pulse width	τ _{VO}	Free running f _{VO} = 55Hz, V _{CC1} =12V	750	950	1150	μs
Vertical pull-in range	f _{pv}	Input 0.7V _{P-P} , 60Hz, pulse width 200μs	—	35	37	Hz
Horizontal oscillation frequency	f _{HO}	Adjust to f _{HO} =15.75kHz by typical sample	15	15.75	16.5	kHz
Horizontal oscillatin pulse duty	τ _{HO}	Adjust to f _{HO} =15.75kHz by typical sample	30	35	39	%
Horizontal oscillation control sensitivity	β	Change in oscillation frequency when ΔI=±25μA	130	160	190	$\frac{\text{Hz}}{\mu\text{A}}$
Phase detection sensitivity	μ	V _{CC1} =12V	13	19	25	$\frac{\mu\text{A}}{\mu\text{s}}$
Horizontal oscillation output pin voltage (H)	V _{3-1 (H)}		4.1	5.1	6.2	V
Horizontal oscillation output pin voltage (L)	V _{3-1 (L)}		-1.4	-0.7	0.3	V



LittleDiode supplies new, hard to find or obsolete electronic components and semiconductors all over the world.

With over two million different components listed you are sure to find the part you need.

Feel free to visit us today at our online store:

LittleDiode.com

Looking forward to providing you with the best possible service.