

TRANSISTOR PROTECTION BY TRANSIL : DISSIPATION POWER AND SURGE CURRENT DURATION

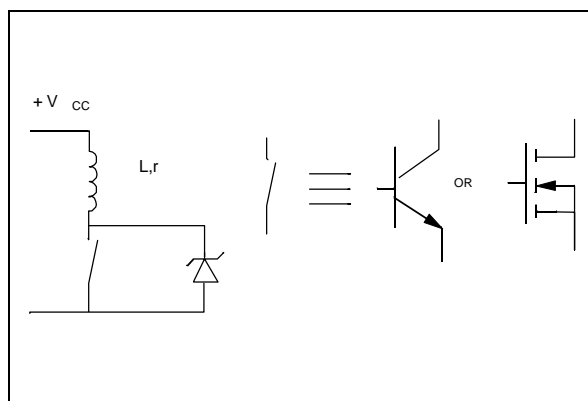
B. RIVET

I - INTRODUCTION

In a great number of applications, we find the diagram FIG.1 where a TRANSIL is used to protect a switch which controls an inductive load. The switch can be a bipolar or a MOS transistor.

The purpose of this paper is to calculate the dissipated power in the Transil and the pulse current duration.

Figure 1 : BASIC DIAGRAM

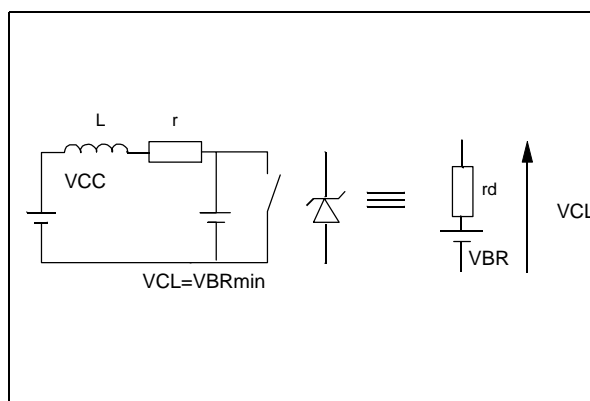


II - CIRCUIT MODELISATION

When the switch turns off we use the equivalent circuit represented FIG.2.

The worst case is to consider $V_{CL} = V_{BR \text{ min}}$. This hypothesis will be used in all formulas.

Figure 2 : EQUIVALENT CIRCUIT



V_{CL} : clamping voltage
 V_{BR} : breakdown voltage
 r_d : apparent resistance

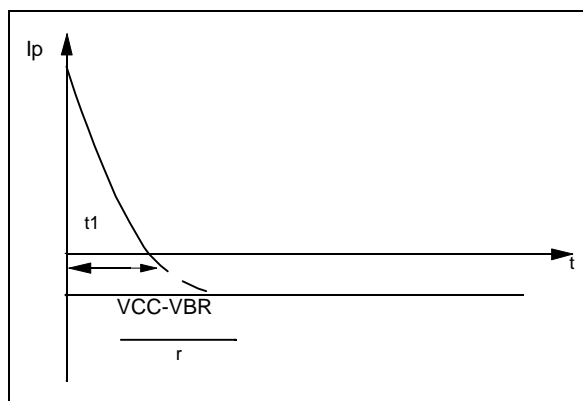
III - CURRENT IN THE TRANSIL

We can express the current i through the TRANSIL by the following formula :

$$i = (I_p + \frac{V_{BR \text{ min}} - V_{CC}}{r}) \exp(-r \frac{t}{L}) + (\frac{V_{BR \text{ min}} - V_{CC}}{r})$$

I_p is the current through the coil when the transistor switches off. The FIG.3 shows the current variation versus time.

Figure 3 : CURRENT WAVEFORM



t_1 can be calculated by

$$t_1 = -\frac{L}{r} \ln(\frac{V_{BR \text{ min}} - V_{CC}}{V_{BR \text{ min}} - V_{CC} - r I_p})$$

IV - TRANSIL POWER DISSIPATION

We can consider two cases, single pulse operation and repetitive pulses operation.

a) Single pulse operation

In this case, in order to define a TRANSIL we need peak power P_p and the pulse current standard duration t_p .

P_p is given by

$$P_p = V_{BR \text{ min}} \times I_p$$

APPLICATION NOTE

If we assimilate the pulse current with a triangle the standard exponential pulse duration t_p is calculated by the formula :

$$t_p = -\left(\frac{1,4L}{2r}\right) \ln\left(\frac{V_{BRmin}-V_{CC}}{V_{BRmin}-V_{CC}+rI_p}\right)$$

The energy in the Transil can be expressed by :

$$W = \frac{V_{BRmin}.L}{r} \left[I_p + \left(\frac{V_{BRmin}-V_{CC}}{r}\right) \ln\left(\frac{V_{BRmin}-V_{CC}}{V_{BRmin}-V_{CC}+rI_p}\right) \right]$$

When r tends to zero we find :

$$W = \frac{1}{2} L I_p^2 \left(\frac{V_{BRmin}}{V_{BRmin}-V_{CC}}\right)$$

b) Repetitive pulses operation

In repetitive pulse operation the power dissipation can be calculated by the following formula.

$$P = F \times \frac{V_{BRmin}.L}{r} \left[I_p + \left(\frac{V_{BRmin}-V_{CC}}{r}\right) \ln\left(\frac{V_{BRmin}-V_{CC}}{V_{BRmin}-V_{CC}+rI_p}\right) \right]$$

When r tends to zero we find :

$$P = \frac{1}{2} L F I_p^2 \left(\frac{V_{BRmin}}{V_{BRmin}-V_{CC}}\right)$$

Where F is the commutation frequency.

V - EXAMPLE OF APPLICATION

Commutation of a coil supplied by a battery. The different parameters of the application are :

$$V_{CC} = 14V \quad L = 10mH \quad r = 3 \text{ Ohms} \quad I_p = 4A$$

TRANSIL : 1.5KE36P $V_{BRmin} = 34.2V$ (cf data sheet)

a) Single pulse

We find

$$P_p = 34.2 \times 4 = 136.8W$$

$$t_p = -\left(\frac{-1.4.10.10^{-3}}{2 \times 3}\right) \ln\left(\frac{34.2-14}{34.2-14+3 \times 4}\right)$$

$$t_p = 1.08ms$$

The data sheet gives $P_p = 1500W$ for $t_p = 1.08ms$ then this 1.5KE36P can be used in this application.

b) Repetitive pulse operation

The commutation frequency is equal to 10HZ so

$$P = 10 \times \left(\frac{34.2 \times 10.10^{-3}}{3}\right) \left[4 + \left(\frac{34.2-14}{3}\right) \ln\left(\frac{34.2-14}{34.2-14+3 \times 4}\right) \right]$$

$$= 980mW$$

$$R_{th} = 75^\circ C/W \text{ and } T_j \text{ max.} = 175^\circ C$$

$$\text{So } T_j = P \times R_{th} + T_{amb.max.}$$

With $T_{amb.max.} = 50^\circ C$ we find :

$$T_j = 0.98 \times 75 + 50 = 123.5^\circ C < T_j \text{ max}$$

So we can also use this Transil in repetitive pulse operation.

Information furnished is believed to be accurate and reliable. However, SGS-THOMSON Microelectronics assumes no responsibility for the consequences of use of such information nor for any infringement of patents or other rights of third parties which may result from its use. No license is granted by implication or otherwise under any patent or patent rights of SGS-THOMSON Microelectronics. Specifications mentioned in this publication are subject to change without notice. This publication supersedes and replaces all information previously supplied.

SGS-THOMSON Microelectronics products are not authorized for use as critical components in life support devices or systems without express written approval of SGS-THOMSON Microelectronics.

© 1995 SGS-THOMSON Microelectronics - Printed in Italy - All rights reserved.

SGS-THOMSON Microelectronics GROUP OF COMPANIES

Australia - Brazil - France - Germany - Hong Kong - Italy - Japan - Korea - Malaysia - Malta - Morocco -
The Netherlands - Singapore - Spain - Sweden - Switzerland - Taiwan - Thailand - United Kingdom - U.S.A.



LittleDiode supplies new, hard to find or obsolete electronic components and semiconductors all over the world.

With over two million different components listed you are sure to find the part you need.

Feel free to visit us today at our online store:

LittleDiode.com

Looking forward to providing you with the best possible service.