

AN3497SB

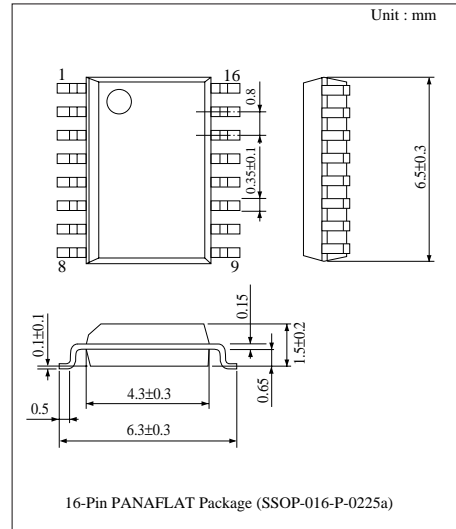
Chroma Noise Reduction IC

■ Overview

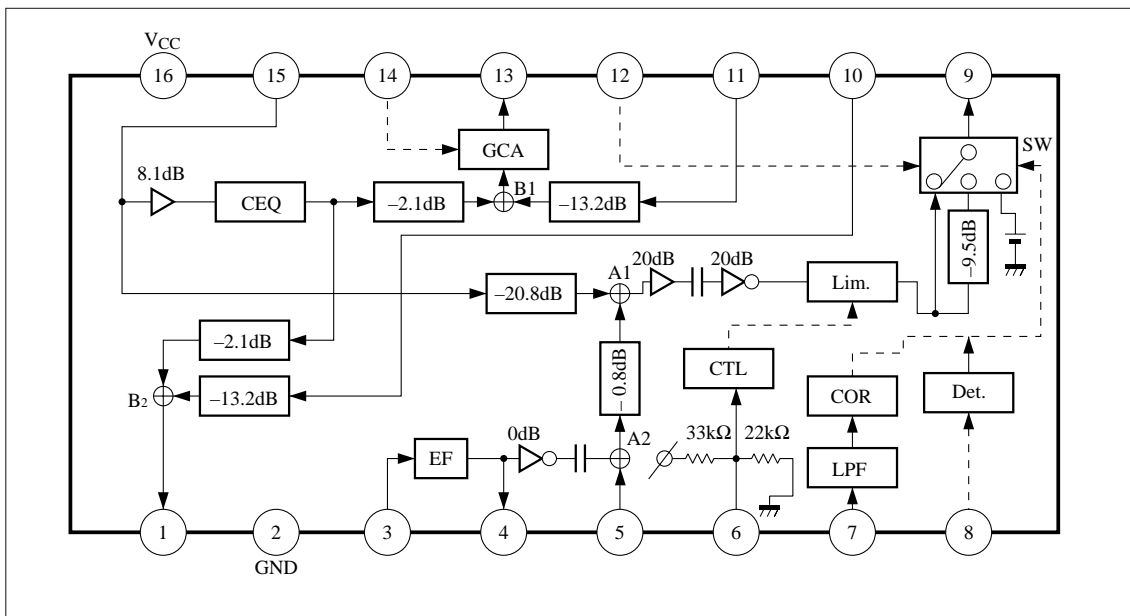
The AN3497SB is a chroma noise reduction (CNR) IC for VCR and uses a chroma recursive filter system. In combination with the AN2260 (luminance signal processing), AN2460 (chroma signal processing), etc., it configures a VHS signal processing system.

■ Features

- Capable of meeting with the NTSC/PAL system.
- Capable of meeting with the EDIT mode and THRU mode.
- The CNR limiter level and CNR output level can be adjusted depending on external DC.
- The feedback constant (KC) can be set optionally depending on an external resistor.
- The chroma signal can be adjusted depending on an external resistor.
- Built-in functions such as Y vertical correlative signal detector, etc.



■ Block Diagram





LittleDiode supplies new, hard to find or obsolete electronic components and semiconductors all over the world.

With over two million different components listed you are sure to find the part you need.

Feel free to visit us today at our online store:

LittleDiode.com

Looking forward to providing you with the best possible service.