

AN3370K

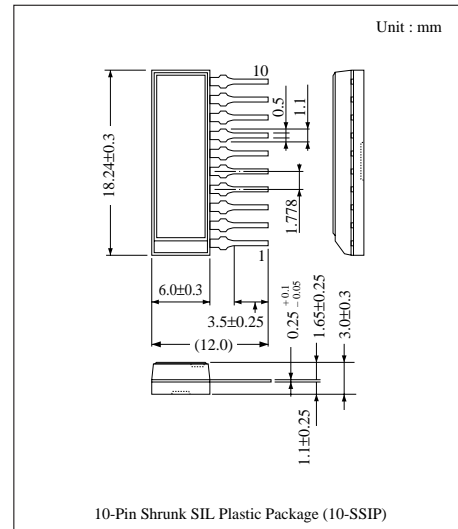
Flying-Erase IC

■ Overview

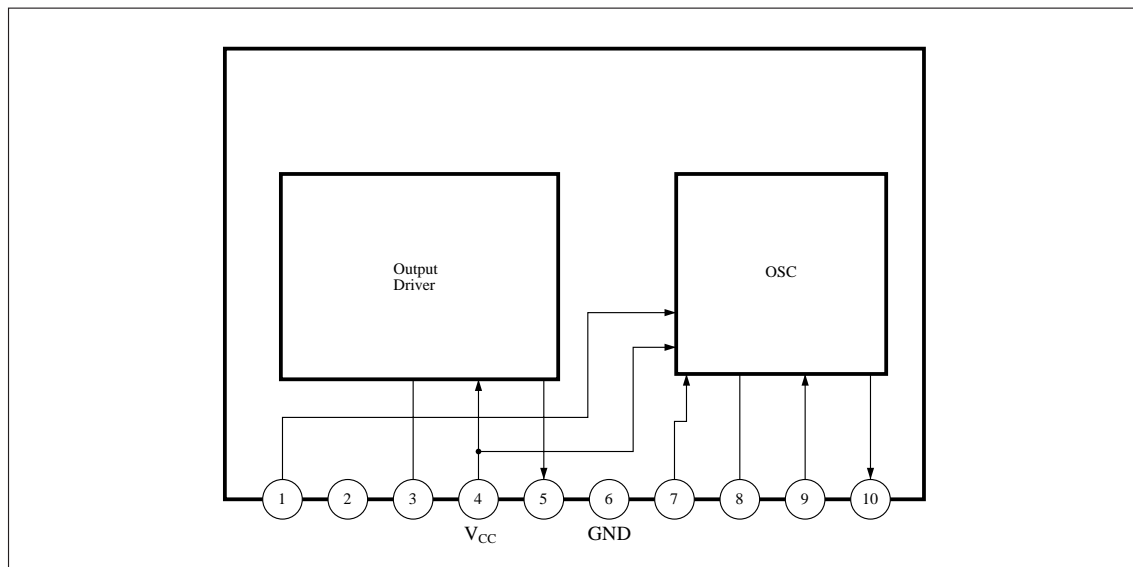
The AN3370K can amplify high-frequency current generated by the built-in oscillator and drive the Flying-erase head. This IC also allows to set an oscillation frequency and an output current optionally with external constants according to the erase head.

■ Features

- Built-in high-accuracy, stable oscillator.
- Capable of varying output current value and an oscillation frequency with external constants.



■ Block Diagram



■ Absolute Maximum Ratings (Ta=25°C)

Parameter	Symbol	Rating	Unit
Supply voltage	V _{CC}	12.6	V
Power dissipation	P _D	500	mW
Operating ambient temperature	T _{opr}	- 20 to + 70	°C
Storage temperature	T _{stg}	- 55 to +150	°C

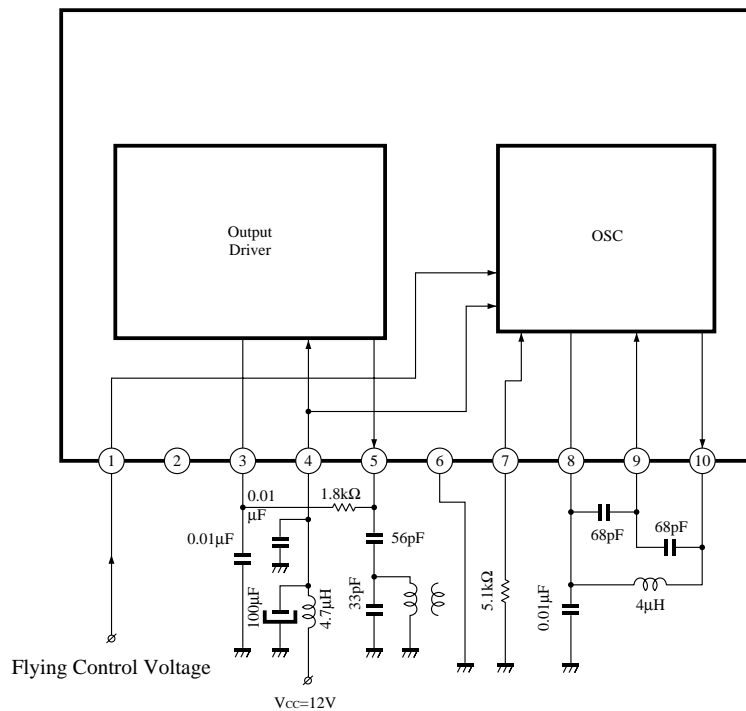
■ Recommended Operating Range (Ta = 25°C)

Parameter	Symbol	Range
Operating supply voltage range	V _{CC}	10.5V to 12.5V

■ Electrical Characteristics (V_{CC}=12V, Ta=25°C)

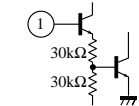
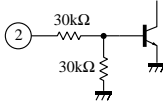
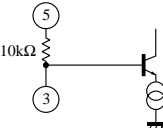
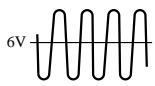
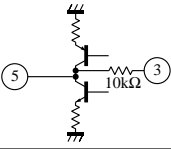
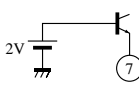
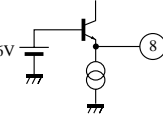
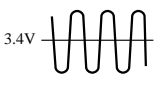
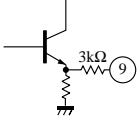
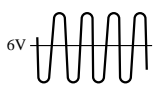
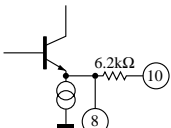
Parameter	Symbol	Condition	min	typ	max	Unit
Supply current	I _{CC}	V _I = 5V	20	28	36	mA
Oscillation output amplitude	V _{O1}	V _I = 5V, R _L = 300Ω	8	9	—	V _{PP}
Oscillation frequency	f _o	V _I = 5V, R _L = 300Ω	11	11.55	12.1	MHz
Oscillation output amplitude	V _{O2}	V _I = 0V, R _L = 300Ω	—	—	10	mV _{PP}
Flying ON	V _{IH}		3.5	—	—	V
Flying OFF	V _{IL}		—	—	0.8	V

■ Application Circuit

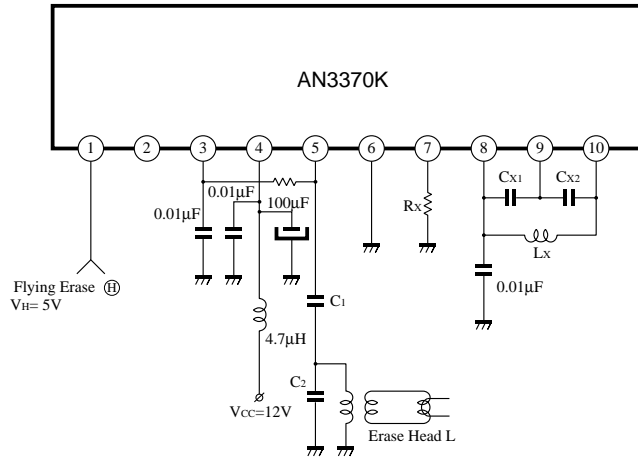


Note) Do not apply a voltage (0V included) to the Pin2 from the external.

■ Pin Descriptions

Pin No.	Pin name	Typ. waveform	Description	I/O impedance	Equivalent circuit
1	Flying erase control pin	_____	Flying erase ON/OFF control pin. ON when 3.5V or more is applied, and OFF when 0.8V or less is applied.	3MΩ	
2	_____	_____	Do not apply a voltage from the external.	60kΩ	
3	Feedback pin	_____	Feedback pin to obtain a DC voltage by filtering an output signal via an external capacitor	—	
4	Power supply	_____	Power supply pin. Apply 12V typically from the external.	—	_____
5	Output pin		High-frequency current	10kΩ	
6	GND	_____	_____	—	_____
7	Oscillation input pin	_____	It is possible to change the current which can be taken out of an output, by varying the resistor between this pin and GND.	NPN T _r emitter	
8	Reference voltage pin	_____	Generates a reference voltage of 1/2 V _{CC} (approx. 6V)	NPN T _r emitter	
9	Oscillation feedback pin		A signal from Pin10 oscillation output is divided by the capacitor and is fed back.	3kΩ	
10	Oscillation output pin		Oscillates at the frequency determined by L, C of the Pins8, 9, 10	6.2kΩ	

■ Supplementary Explanation



1) Internal Oscillation Frequency

An internal oscillation frequency is determined by the following expression. Set C_{X1} , C_{X2} , and L_X according to a frequency.

$$f_{osc} = \frac{1}{2\pi \sqrt{L_X \cdot \frac{C_{X1} \cdot C_{X2}}{C_{X1} + C_{X2}}}} \dots \dots \dots (1)$$

In order to obtain stable oscillation, set C_{X1}/C_{X2} near 1 and absolute value of C_{X1} , C_{X2} to such a considerable extent that an internal IC capacitance (approx. 5pF) and an external PCB capacitance can be ignored.

2) R_X

Output current amplitude from the IC is determined by the external resistor R_X of the Pin7 ; it is approximately as shown in Fig. 1. Therefore, use within the following range.

$$I_5 = 20\text{mA}_{pp} \text{ to } 65\text{mA}_{pp}$$

- 3) Do not apply the Pin1 voltage when V_{CC} is off.
Use the Pin2 voltage open.

4) Output Dynamic Range

Since the output pin (5) dynamic range of the AN3370K is 8V_{PP} (at $V_{CC}=12\text{V}$), set a combination of C_1 , C_2 , and erase head inductance (L) so that the following will be ensured.

$$I_5 (\text{mA}_{pp}) \times \text{load impedance} < 8V_{pp}$$

5) Serial and Parallel Resonance Points

- Serial resonance frequency $f_1 = \frac{1}{2\pi \sqrt{L (C_1 + C_2)}} \dots \dots \dots (2)$

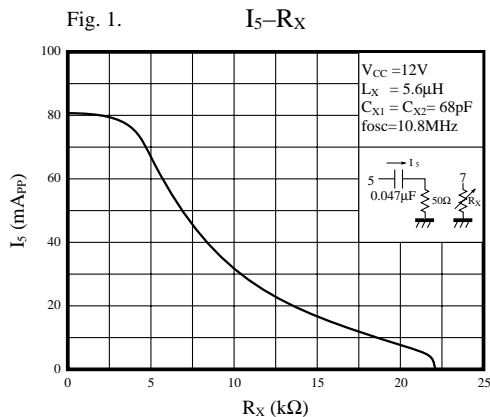
Since Pin5 amplitude is minimized at a point of f_1 , set f_1 so that it will almost coincide with f_{osc} .

- Parallel resonance frequency
Suppose the internal capacitance of the Pin5 is C_5 , then parallel resonance frequency is

$$f_2 = \frac{L}{2\pi \sqrt{L \left(C_2 + \frac{C_5 \cdot C_1}{C_5 + C_1} \right)}} \dots \dots (3)$$

Although an erase head current is maximized at this point, set $f_2/f_{osc} \doteq 1.25$ to 1.4

• Characteristic Curve





LittleDiode supplies new, hard to find or obsolete electronic components and semiconductors all over the world.

With over two million different components listed you are sure to find the part you need.

Feel free to visit us today at our online store:

LittleDiode.com

Looking forward to providing you with the best possible service.