

AN3316K

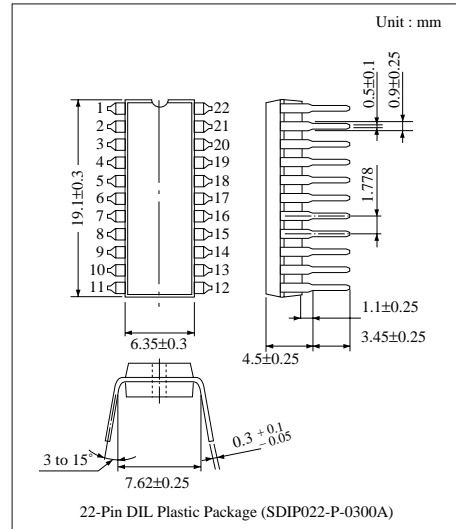
Recording/Playback Amplifier IC for VCR Hi-Fi Audio

■ Overview

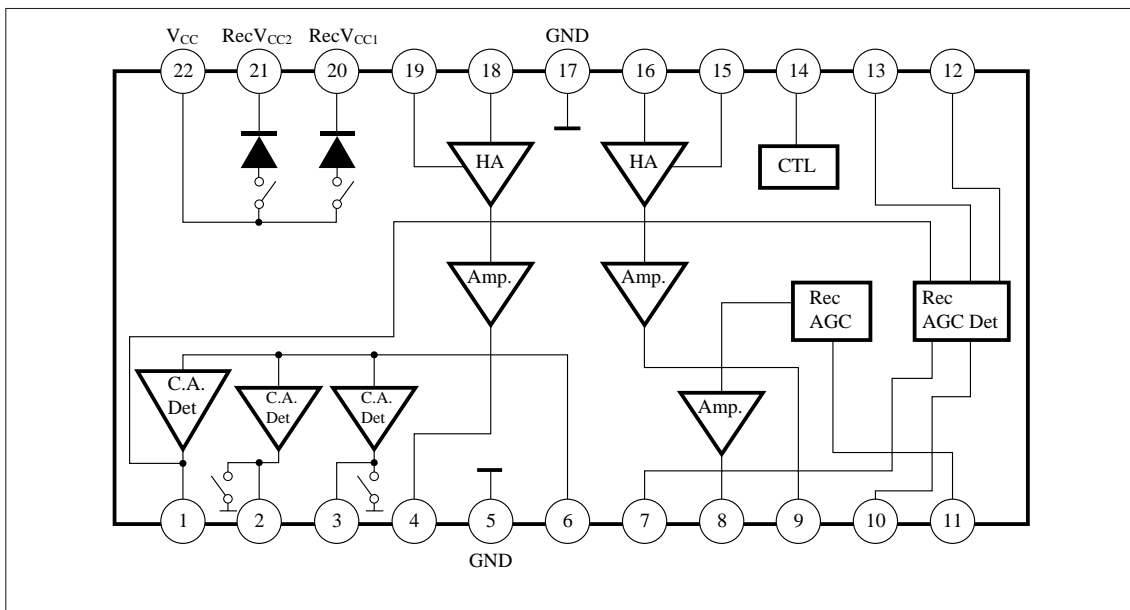
The AN3316K is an IC developed as a recording/playback amplifier for VCR Hi-Fi audio. In combination with the AN3970 and AN3976, it can configure the system.

■ Features

- Operating supply voltage : 5V(typ.).
- Adjustment-free recording current by built-in Rec AGC.
- 2-channel output through playback amplifier.



■ Block Diagram



■ Absolute Maximum Ratings (Ta=25°C)

Parameter	Symbol	Rating	Unit
Supply voltage	V _{CC}	6	V
Power dissipation	P _D	600	mW
Operating ambient temperature	T _{opr}	-20 to + 70	°C
Storage temperature	T _{stg}	-55 to + 150	°C

■ Recommended Operating Range (Ta=25°C)

Parameter	Symbol	Range
Operating supply voltage range	V _{CC}	4.5V to 5.5V

■ Electrical Characteristics (Ta=25°C)

Parameter	Symbol	Condition	min	typ	max	Unit
Rec circuit current	I _{REC}	Rec Mode, V _{CC} =5V	—	—	85	mA
Rec AGC level	I _{AGC}	Rec Mode, V _{CC} =5V	22.7	—	32.1	mA _{PP}
Rec AGC control characteristic	ΔI _{AGC}	Rec Mode, V _{CC} =5V	-1	—	1	dB
Recording current 2nd harmonics distortion CH1	D _{R2f-1}	Rec Mode, V _{CC} =5V	—	—	-35	dB
Recording current 2nd harmonics distortion CH2	D _{R2f-2}	Rec Mode, V _{CC} =5V	—	—	-35	dB
Rec Mode hold voltage	V _{S REC}	V _{CC} =5V	3.6	—	5	V
Rec Mute hold voltage	V _{S Mute}	V _{CC} =5V	2	—	2.6	V
PB circuit current	I _{PB}	PB Mode, V _{CC} =5V	—	—	25	mA
PB CH1 gain	G ₉₋₁₆	PB Mode, V _{CC} =5V	53	—	63	dB
PB CH3 gain	G ₄₋₁₈	PB Mode, V _{CC} =5V	53	—	63	dB
Inter-PB CH gain ratio	G ₉₋₁₆ - G ₄₋₁₈	PB Mode, V _{CC} =5V	-1	—	1	dB
PB input-conversion noise CH1	N _{IN9-16}	PB Mode, V _{CC} =5V	—	—	1	μVrms
PB input-conversion noise CH2	N _{IN4-18}	PB Mode, V _{CC} =5V	—	—	1	μVrms
PB crosstalk CH1 to CH2	CT1	PB Mode, V _{CC} =5V	—	—	-30	dB
PB crosstalk CH2 to CH1	CT2	PB Mode, V _{CC} =5V	—	—	-30	dB
PB CH1 output 2nd harmonics distortion	D _{PB2f-1}	PB Mode, V _{CC} =5V	—	—	-35	dB
PB CH2 output 2nd harmonics distortion	D _{PB2f-2}	PB Mode, V _{CC} =5V	—	—	-35	dB
PB mode hold voltage	V _{SPB}	V _{CC} =5V	0	—	1	V



LittleDiode supplies new, hard to find or obsolete electronic components and semiconductors all over the world.

With over two million different components listed you are sure to find the part you need.

Feel free to visit us today at our online store:

LittleDiode.com

Looking forward to providing you with the best possible service.