

VERY LOW DROP REGULATORS ENHANCE SUPPLY PERFORMANCE

By Paolo ANTONIAZZI and Arturo WOLFGRUBER

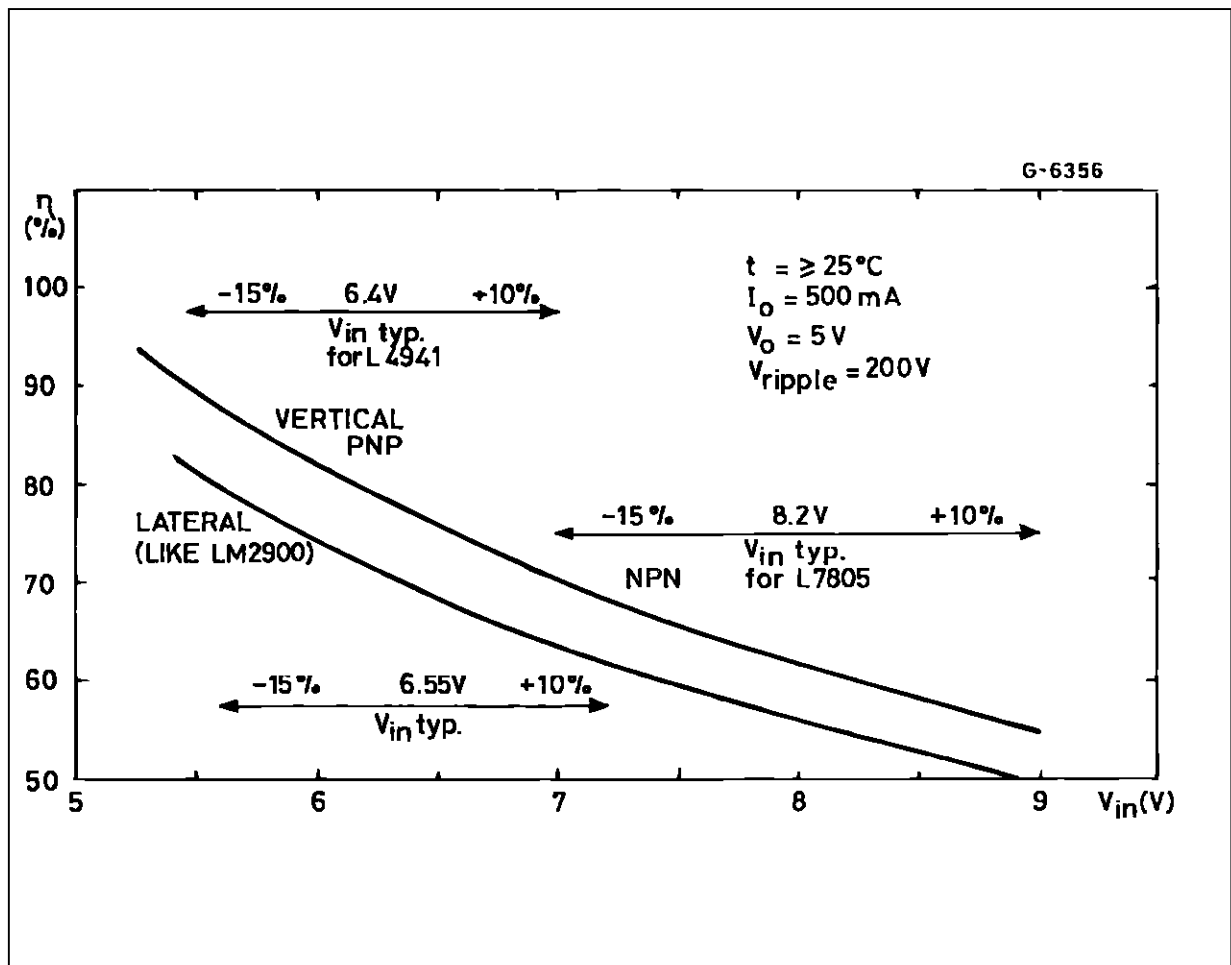
Standard three-terminal voltage regulator ICs use an NPN transistor as the series pass element, so the input-output voltage drop is 1.5V-2V. Low dropout regulators using lateral PNP pass transistors have been available for several years, but a lateral PNP transistor has low gain, so the base current is necessarily high, and a low f_T , so the settling time is poor. Moreover, for stability a large output capacitor is needed.

Applying a new bipolar technology (see APPENDIX : Technology Is The Key) SGS-THOMSON has

developed two 5V low drop voltage regulators that use a new vertical PNP transistor structure to obtain low dropout and low quiescent current.

Type L4940 delivers up to 1.5A and offers an input-output voltage drop of 700mV at the full 1.5A output current. A 1A version, type L4941, has an input-output drop of 450mV at 1A (100mV at 0.1A). Both types have a quiescent current of 15mA at 1A (4mA with no load). Consequently these devices dissipates less power, improving the efficiency of any supply system (figure 1).

Figure 1 : A voltage regulator using vertical isolated PNP transistor is more efficient than regulators with NPN pass transistors because the drop out is lower. And it is more efficient than a regulator having a lateral PNP pass transistor because the quiescent current is lower.



APPLICATION NOTE

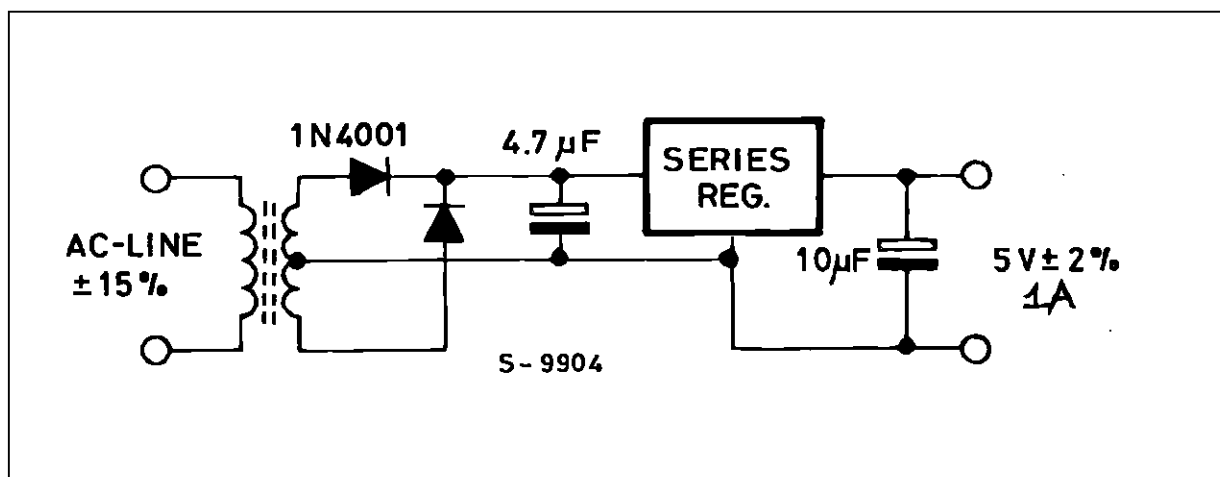
Compared to other "low drop" regulator the L4940 and L4941 have other advantages: regulation performance is guaranteed right down to the minimum input voltage and the device is stable even without an output capacitor. Additionally, a special circuit limits the quiescent current for input voltages from 3V to 5V, typically high for low drop regulators because of the saturation of the series regulator.

The two application areas which benefit the most from second generation low drop regulators like the L4940 and L4941 are post regulation and battery supplies. However, the device brings cost savings in any three-terminal regulator application.

LOW DISSIPATION REDUCES SIZE, WEIGHT & COST

In simple series regulator applications the low dissipation of the L4940/1 reduces the size and weight of the mains transformer, heatsink and printed circuit board. A comparison between equivalent 5V/1A circuits using the L4941 and a standard L7805 regulator (figure 2) shows that the L4941 solution is not only more compact and lighter, it also costs less since the difference in costs between an L4941 and an L7805 is less than the cost saving.

Figure 2 : In simple series regulator applications the L4941 can replace standard three-terminal regulators like the L7805, reducing size, weight and cost. Heat dissipation is reduced, too.



COMPARISON BETWEEN L7805 AND L4941

Component	L4941		L7805	
	Value	Cost*	Value	Cost*
Transformer	220V/7.5V 9.4VA	\$4.8	220V/8.6V 11VA	\$5.4
Diodes	2x1N4001	\$0.1	2x1N4001	\$0.1
Capacitors	4.7μF 10V 10μF	\$0.5 \$0.1	4.7μF 16V 100n	\$0.75 \$0.08
Heatsink	20°C/W	\$0.2	10°C/W	\$0.3
PC Area	20cm ²	\$0.27	26cm ²	\$0.35
		\$5.97		\$6.98

The L4941 solution, excluding the cost of the IC, is thus \$1 cheaper. Moreover it is lighter, more compact and dissipates 1.6W less.

* guide price for 1000 pieces.

APPLICATION NOTE

IMPROVING BATTERY SUPPLIES

The second application area where the L4940 and L4941 are particularly useful is in battery-powered equipment. Because of their lower dropout these devices need fewer battery cells -- five, compared to the six needed for an NPN regulator. In addition, with five NiCd cells the efficiency is 77-96% and the cells can be completely discharged.

The low quiescent current of the L4940 and L4941 reduces power consumption, prolonging battery life. Moreover, since they will continue to provide a stable 5V output with input voltages as low as 5.45V they also extend the effective battery life by allowing continued operation when the battery would previously have been discarded (figure 4).

Figure 4 : The vertical PNP pass transistor permits a minimum dropout without the penalty of higher quiescent current, giving a 30-50% longer battery life in equipment drawing a constant current two hours a day.

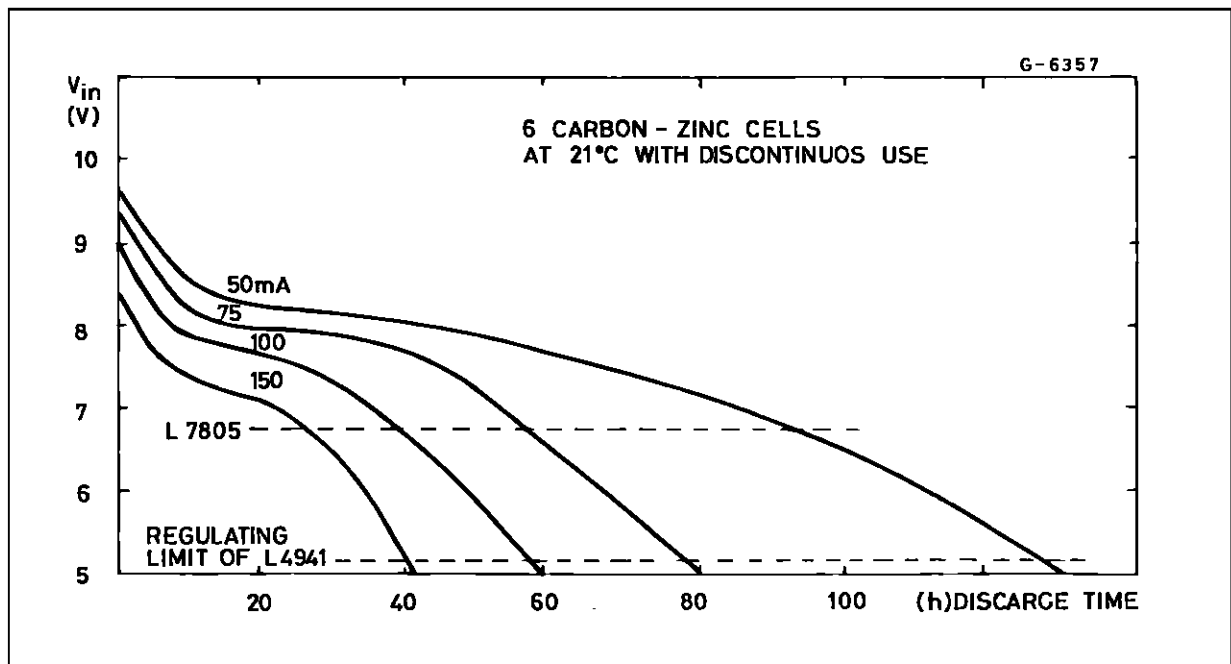
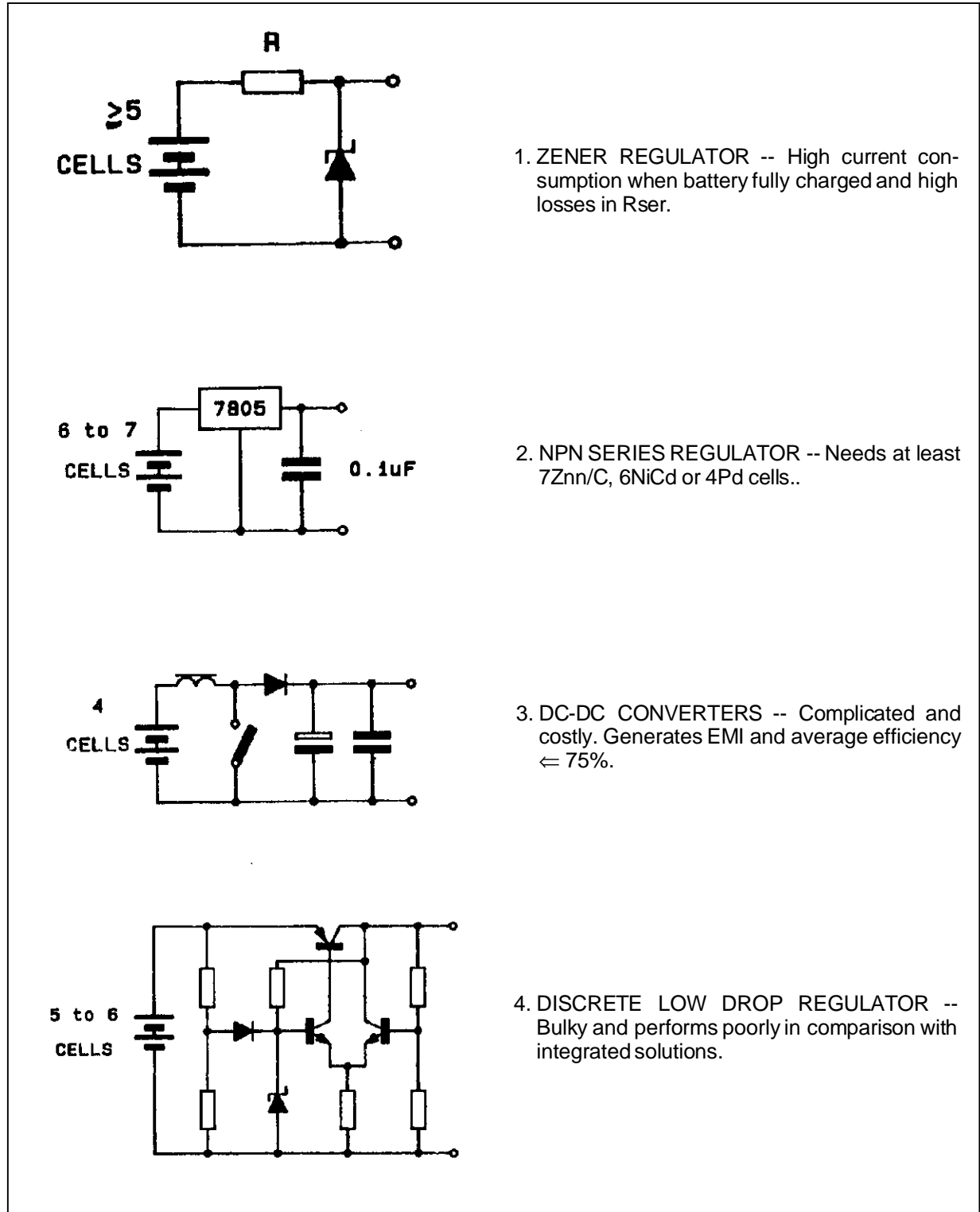


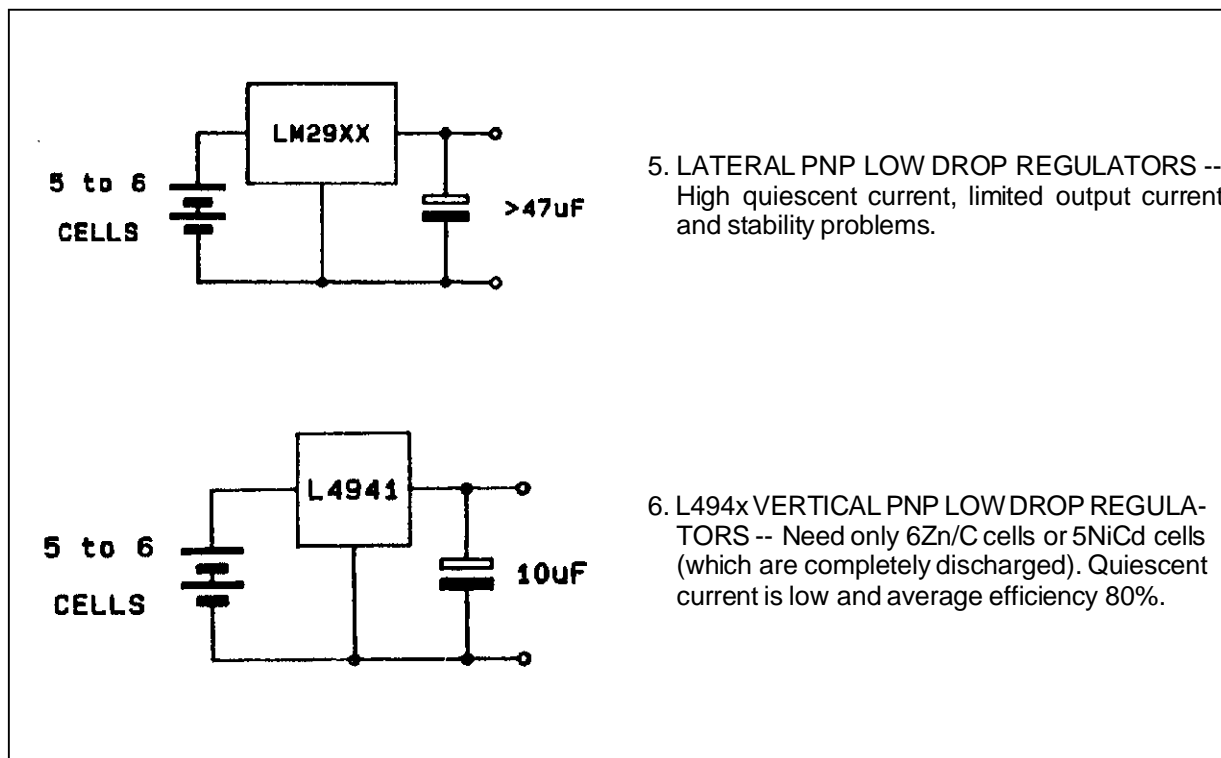
Figure 5 shows how an L4941 solution compares with five alternative 5V battery supplies.

Figure 5 : The L4941 is also useful in battery-powered equipment, prolonging battery life by reducing current drain and supplying a regulated 5V output until the battery voltage has fallen to 5.45V. Here the L4941 solution is compared with five alternatives.



APPLICATION NOTE

Figure 5 (continued).

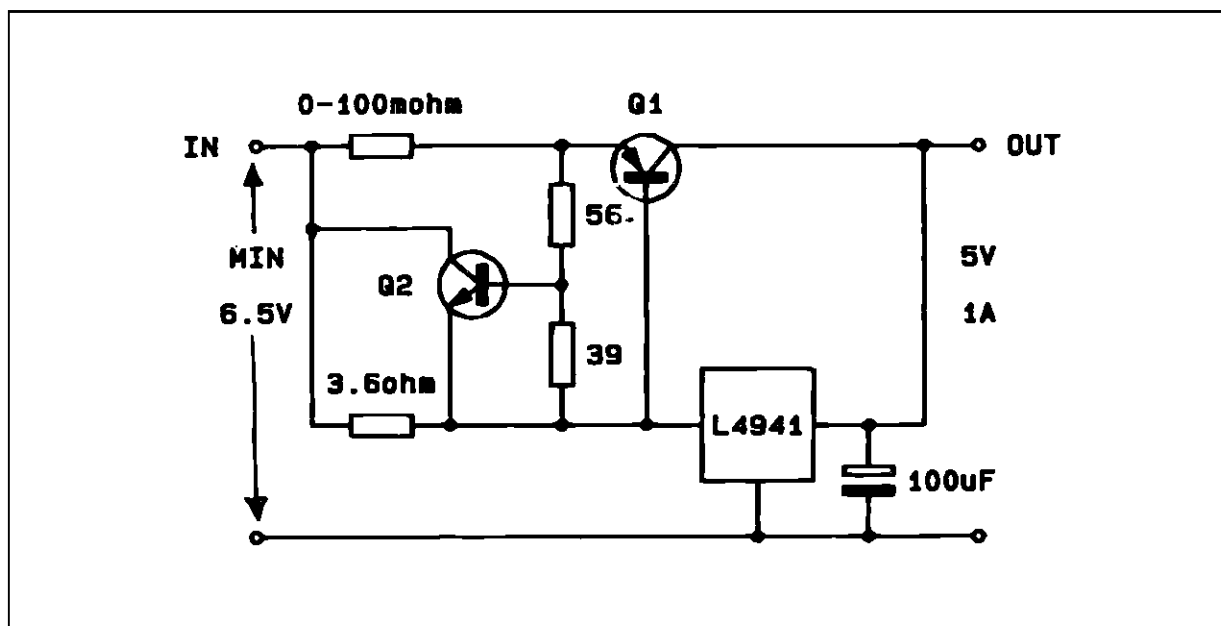


HIGHER CURRENT

To obtain more than 1.5A output current a discrete PNP transistor can be added to the L4940 as shown in figure 6. In this circuit Q2 is a current limiter to protect the external pass transistor when the output is short circuited. An on-chip protection circuit prevents damage to the L4940.

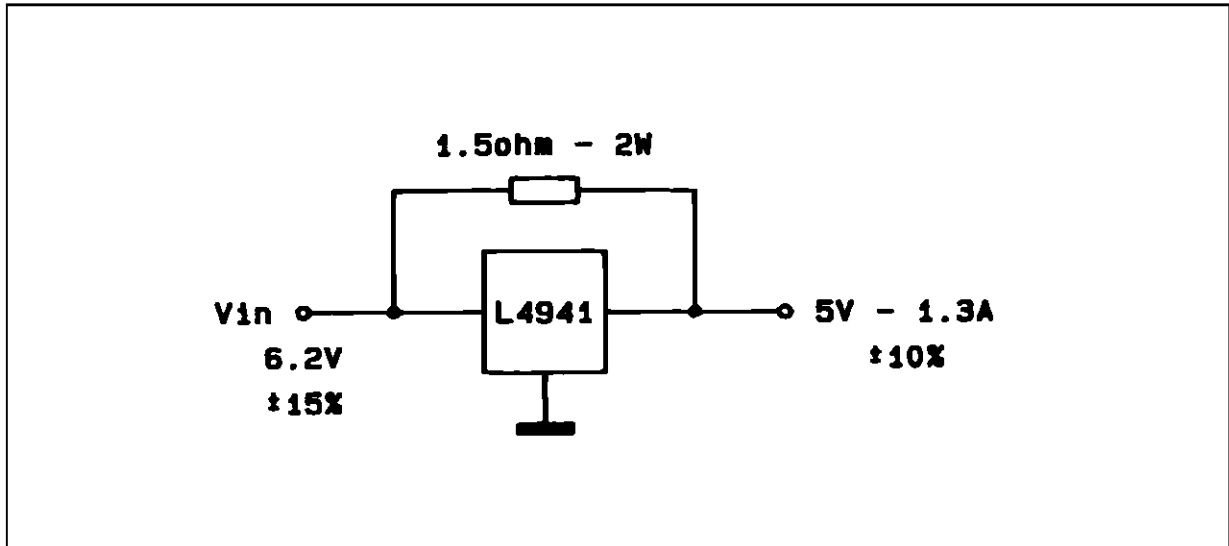
When the load current does not vary greatly higher

Figure 6 : An external PNP transistor can be added to the L4941 to obtain higher output current. Q2 is a current limiter to protect the external transistor.



output current can also be obtained by using a shunt resistor as shown in figure 7.

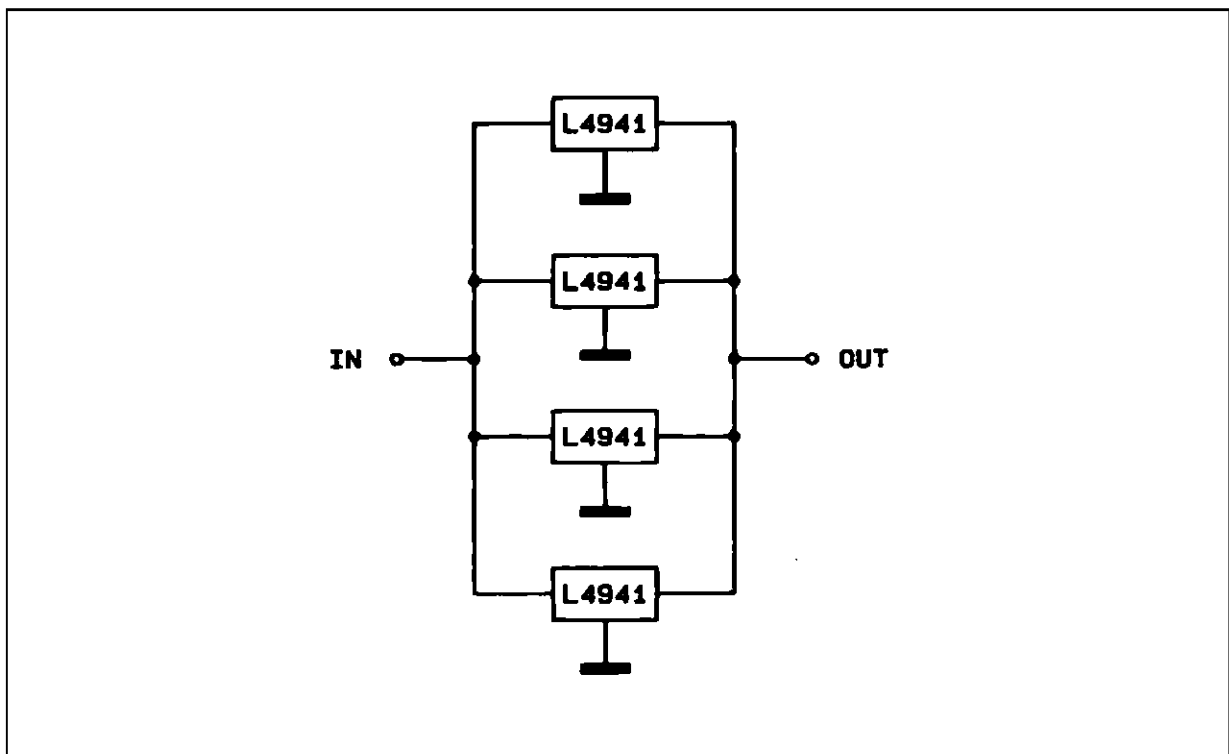
Figure 7 : If the load current does not vary much a simple way to obtain higher current is to add a shunt resistor.



Another way to obtain higher current is simply to connect several devices in parallel as shown in figure 8. This solution also increases the overall reliability of the system and is useful also when reliability is of prime importance.

bility of the system and is useful also when reliability is of prime importance.

Figure 8 : Multiple L4941s can be paralleled to increase both output current and reliability.

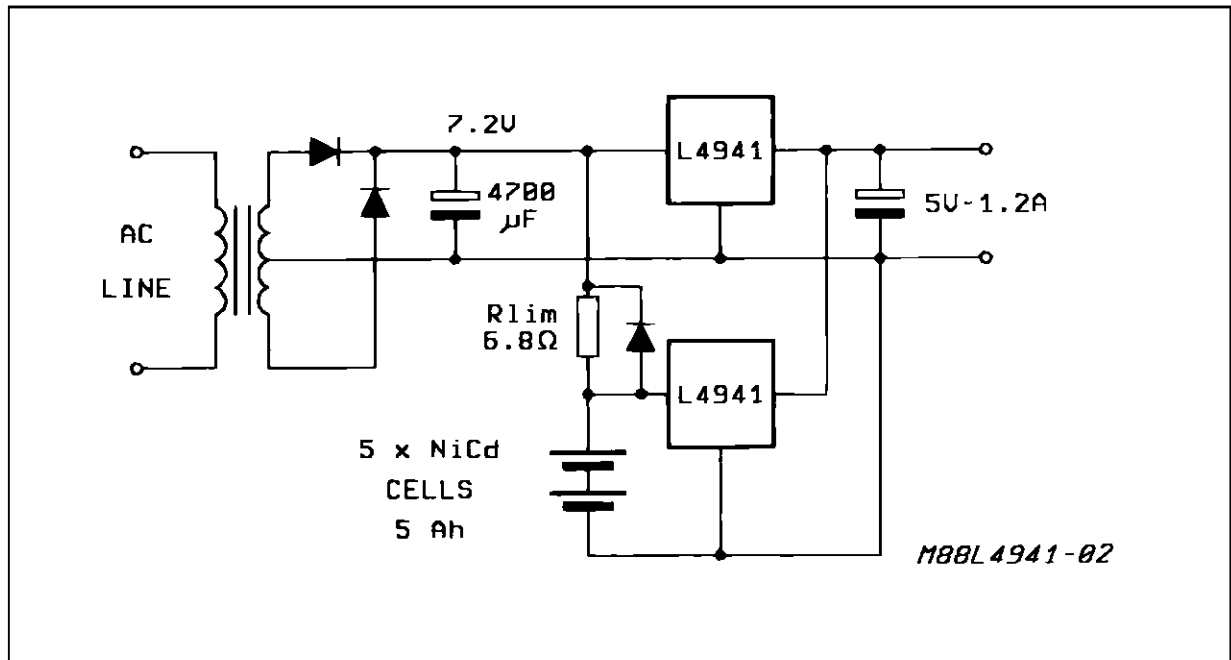


APPLICATION NOTE

Finally, higher current can be obtained with two devices in parallel connected to parallel sources (figure 9). This circuit provides an uninterruptable 1.2A/5V

output by paralleling the normal line input with a backup battery, which is charged through R_{lim} when the AC input is present.

Figure 9 : Connecting two L4941s in parallel with an AC input and a battery yields an efficient 1.2A/5V uninterruptable supply.

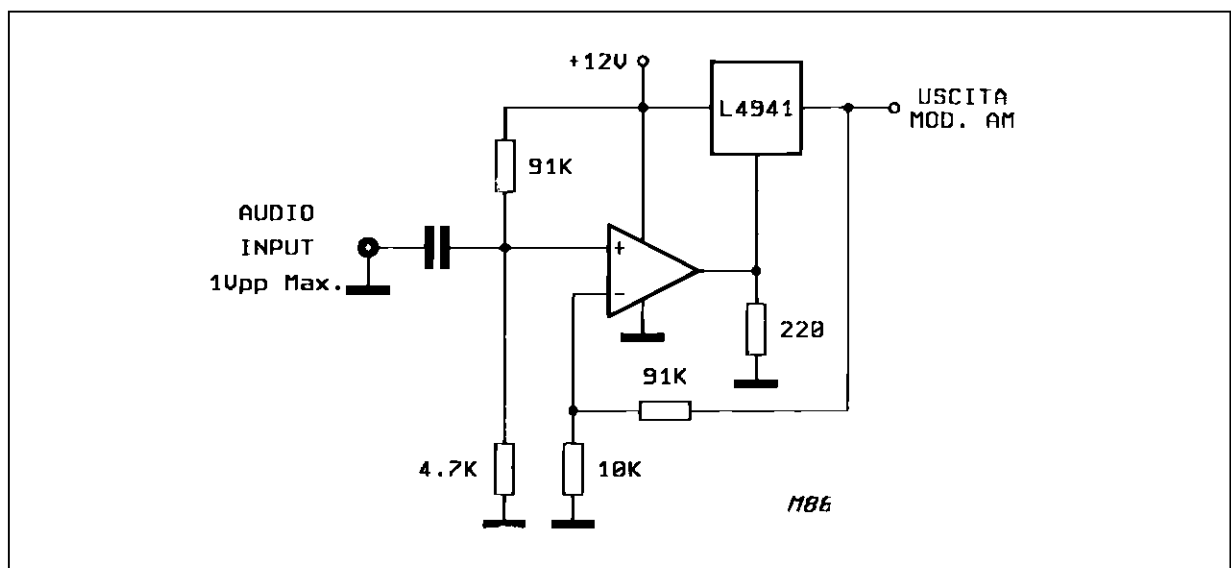


USING THE L4941 AS A MODULATOR

Apart from power supply applications, the L4941 can be used as a modulator (figure 10). The modulator part of this circuit is also useful in the lab as a supply for SVR measurements or generally as a ba-

sic circuit for an amplifier or generator driving resistive loads. The average output voltage can be varied by adjusting the divider on the non-inverting input of the op amp.

Figure 10 : The L4941 can be used as a modulator as illustrated in this circuit.



APPENDIX : TECHNOLOGY IS THE KEY

In parallel with the emergence of mixed bipolar/DMOS processes, pure bipolar technology has made significant advances, too. One of the most important of these advances ? the development of a new power PNP transistor structure -- the isolated collector vertical PNP (ICV PNP) -- which is similar in performance to NPN power transistors.

The ICV PNP is a key element in the SGS-THOMSON MICROELECTRONICS Multipower-HDS² P² (HDS² P² = High Density Super Signal/Power Process) used to design the L4940 & L4941 low drop regulators, a 20V "Multipower" process which offers NPN & ICV PNP power transistors, small signal NPN & PNP transistors, IIL logic, ECL logic and a new low leakage diode structure (see fig. 11).

This process is characterized by an exceptionally high current density -- 6A/mm² for NPN transistors ; 2A/mm² for PNP transistors (at V_{SAT} = 1V, H_{FE} = 10) -- and very high density in the signal processing section.

Thanks to the ICV PNP power transistor structure, designers can choose any output configuration -- low side, high side, half bridge, bridge. In addition,

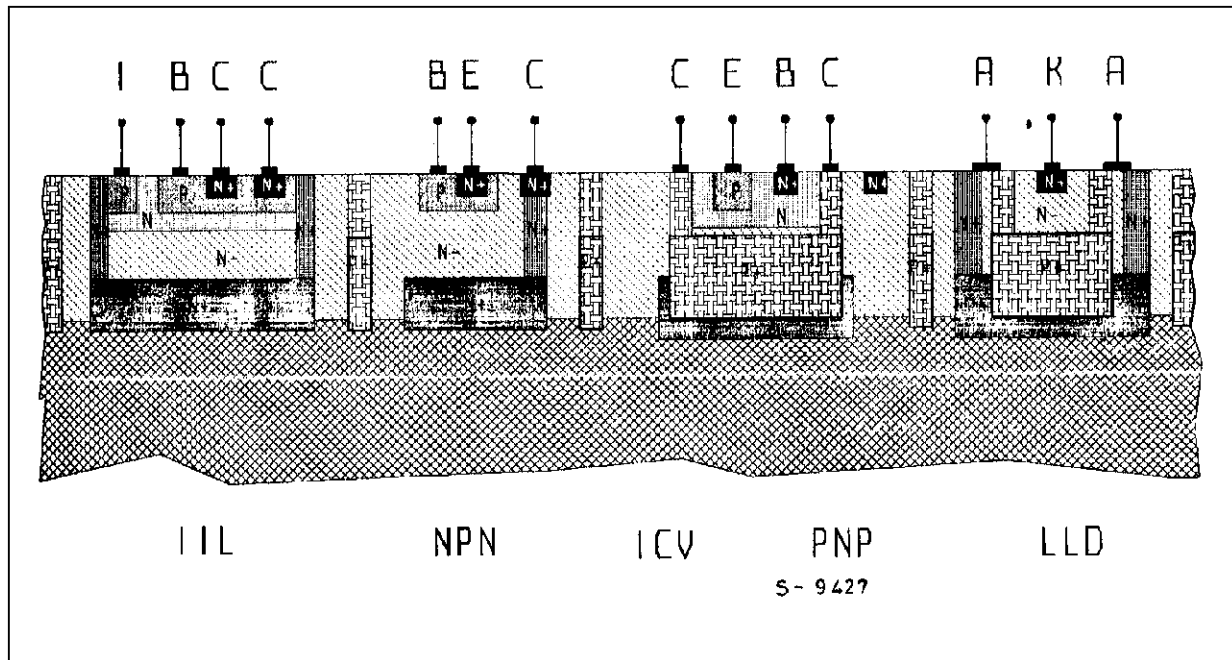
the low voltage drop of the ICV PNP is very useful in applications where the dropout voltage is critical - in voltage regulators and automotive solenoid drivers, for example.

Another new structure offered by Multipower-HDS² P², the Low Leakage Diode (LLD) is very useful in power ICs driving inductive loads. With a parasitic PNP gain about four orders of magnitude lower than conventional diodes, the LLDs reduce dissipation in the chip -- always an important consideration in power IC design.

Multipower-HDS² P² can be applied in simple products where an ICV PNP output stage is needed such as the L4941. Moreover, because it allows the integration of very complex control circuits it is also used for power ICs which integrate a complete power subsystem such as the L6217, a single chip microstepping drive for stepper motors.

A similar process rated at 60V -- Multipower-S² P² -- has also been developed. While Multipower-HDS² P² is aimed at low voltage, high complexity applications, Multipower-S² P² is intended for higher voltage applications with medium complexity control circuits.

Figure 11 : Multipower bipolar process with new ICV-PNP (isolated collector vertical PNP), similar in performance to NPN power transistors.



APPLICATION NOTE

Information furnished is believed to be accurate and reliable. However, SGS-THOMSON Microelectronics assumes no responsibility for the consequences of use of such information nor for any infringement of patents or other rights of third parties which may result from its use. No license is granted by implication or otherwise under any patent or patent rights of SGS-THOMSON Microelectronics. Specifications mentioned in this publication are subject to change without notice. This publication supersedes and replaces all information previously supplied. SGS-THOMSON Microelectronics products are not authorized for use as critical components in life support devices or systems without express written approval of SGS-THOMSON Microelectronics.

© 1995 SGS-THOMSON Microelectronics All Rights Reserved

SGS-THOMSON Microelectronics GROUP OF COMPANIES

Australia - Brazil - France - Germany - Hong Kong - Italy - Japan - Korea - Malaysia - Malta - Morocco - The Netherlands - Singapore - Spain - Sweden - Switzerland - Taiwan - Thailand - United Kingdom - U.S.A.



LittleDiode supplies new, hard to find or obsolete electronic components and semiconductors all over the world.

With over two million different components listed you are sure to find the part you need.

Feel free to visit us today at our online store:

LittleDiode.com

Looking forward to providing you with the best possible service.