

# AN2516S

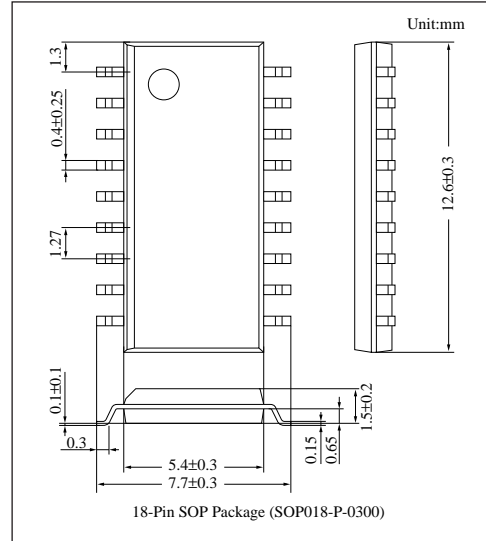
## Electronic View-Finder Driving IC with Character Input

### ■ Overview

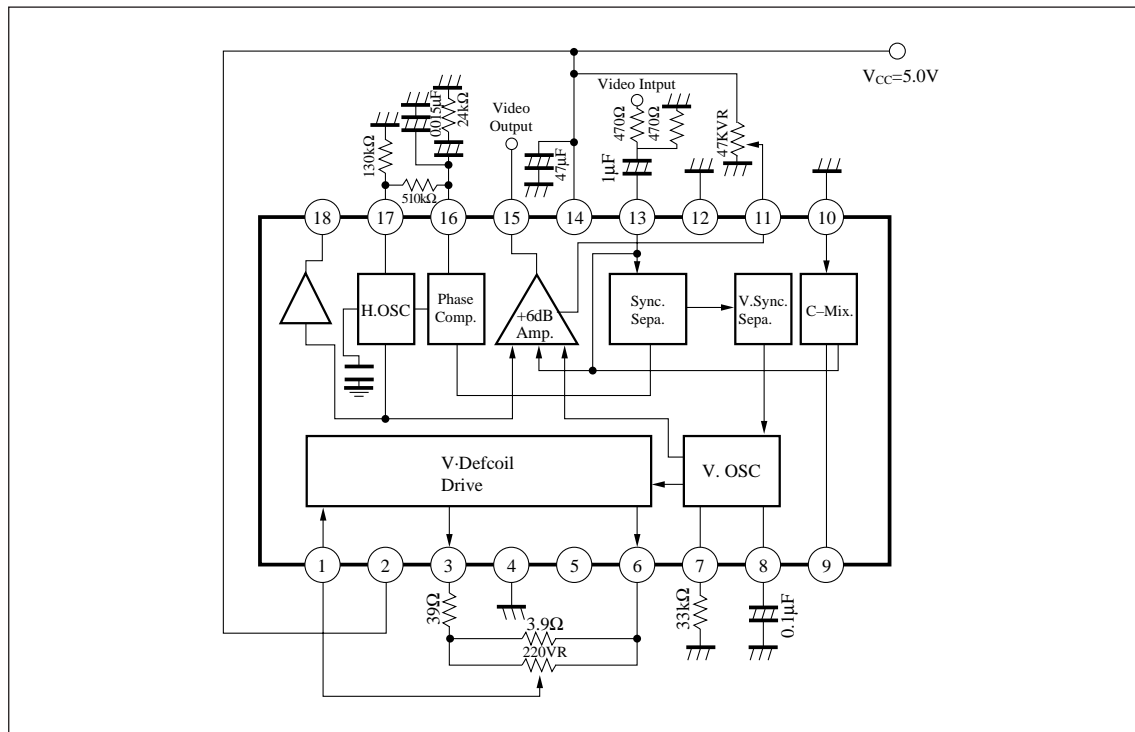
The AN2516S is a drive IC for an electronic monochrome view-finder of a video camera. The AN2516S has all the functions of the AN2515S except HD and VD output, and has attached  $\gamma$ -correction (which compensates luminance characteristics). It is easy to make up a 0.5-inch electronic view-finder with minimal external components.

### ■ Features

- Built-in video amplifier, synchronous signal separation, horizontal vertical oscillator, AFC,  $\gamma$  correction, character mixing, and vertical driver circuits.
- Direct drive of a vertical deflection coil available
- Built-in capacitor for vertical synchronous signal separation



### ■ Block Diagrams



## ■ Absolute Maximum Ratings (Ta=25°C)

Parameter	Symbol	Rating	Unit
Supply voltage	V <sub>CC</sub>	5.5	V
Supply current	I <sub>CC</sub>	47	mA
Power dissipation <sup>Note 2)</sup>	P <sub>D</sub>	190	mW
Operating ambient temperature <sup>Note 1)</sup>	T <sub>opr</sub>	-20 to +75	°C
Storage temperature <sup>Note 1)</sup>	T <sub>stg</sub>	-55 to +125	°C

Note 1) Ta=25°C except operating ambient temperature and storage temperatures unless otherwise specified.

Note 2) Allowable power dissipation of the package at Ta=70°C.

## ■ Recommended Operating Range (Ta=25°C)

Parameter	Symbol	Range
Operating supply voltage range	V <sub>CC</sub>	4.5V to 5.3V

## ■ Electrical Characteristics (V<sub>CC</sub>=5V, Ta=25±2°C)

Parameter	Symbol	Condition	min	typ	max	Unit	Note
Supply current (1)	I <sub>2</sub>		2.35	7.5	13.0	mA	at no-load
Supply current (2)	I <sub>14</sub>		5.5	10.0	14.0	mA	at no-load
Video amp. gain (1)	G <sub>V1</sub>		10.5	11.5	12.5	dB	—
Video amp. gain (2)	G <sub>V2</sub>		4.3	5.3	6.3	dB	—
Synchronous separating capability (1)	HSEP1		0.2	—	—	V	—
Synchronous separating capability (2)	HSEP2		—	—	1.3	V	—
Video signal HD width	τ <sub>Hout</sub>		7.0	8.0	9.0	μs	—
AFC output HD width	τ <sub>AFCHD</sub>		9.5	10.5	11.5	μs	—
Horizontal free oscillation freq.	f <sub>Hfree</sub>		14.25	15.75	17.25	kHz	—
AFC loop gain	f <sub>AFC</sub>		15.25	15.75	16.25	kHz	—
Control sensitivity	β		840	960	1080	Hz/μA	—
Vertical separation time	T <sub>VSEP</sub>		8	16	24	μs	—
Video signal HD width	τ <sub>VOUT</sub>		1.1	1.3	1.5	ms	—
Vertical free-oscillation freq.	f <sub>Vfree</sub>		45	49	53	Hz	—
Vertical deflection output amplitude (1)	V <sub>VDEF1</sub>		1.3	1.6	1.9	V	—
Vertical deflection output amplitude (2)	V <sub>VDEF2</sub>		1.3	1.6	1.9	V	—
Vertical deflection output dynamic range (1)	DR <sub>VDEF1</sub>		2.0	2.4	2.8	V	—
Vertical deflection output dynamic range (2)	DR <sub>VDEF2</sub>		2.0	2.4	2.8	V	—
Character-Black level	CBL		0.15	0.20	0.25	—	—
Character-White level	CWL		0.65	0.85	1.05	—	—
Vertical deflection output min. drive capability	V <sub>3-4</sub>		0.65	—	—	V	—

**■ Pin Descriptions**

Pin No.	Pin name	Pin No.	Pin name
1	Vertical size control input	10	Character input
2	Power supply input	11	Gamma control
3	Vertical deflection coil driver output (1)	12	GND
4	GND	13	Video input
5	N. C.	14	Power supply input
6	Vertical deflection coil driver output (2)	15	Video amplifier output
7	Vertical oscillation resistor pin	16	Phase comparator output
8	Vertical oscillation capacitor pin	17	Horizontal oscillation resistor pin
9	Character-level control	18	Horizontal AFC output



LittleDiode supplies new, hard to find or obsolete electronic components and semiconductors all over the world.

With over two million different components listed you are sure to find the part you need.

Feel free to visit us today at our online store:

[LittleDiode.com](http://LittleDiode.com)

Looking forward to providing you with the best possible service.