

AN2515S

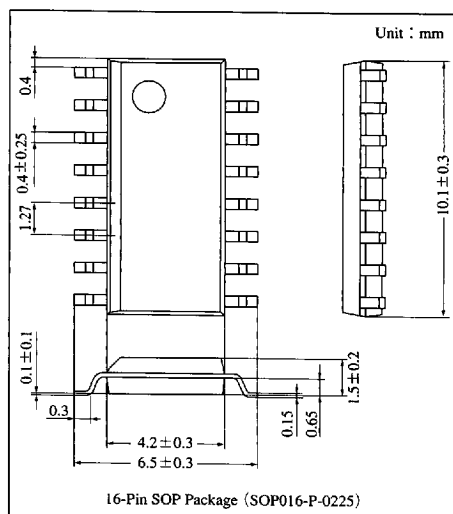
Electronic View-Finder Driving IC with Synchronous Signal

Overview

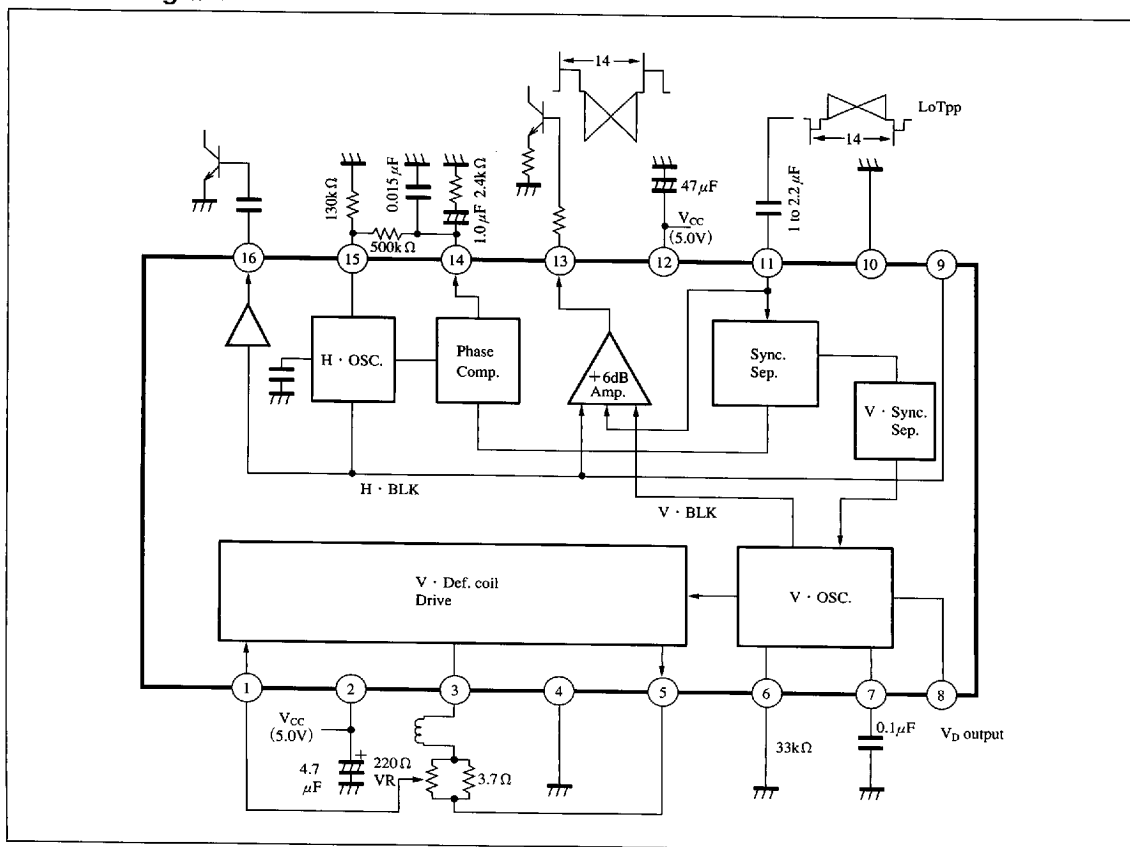
The AN2515S is a drive IC for an electronic monochrome view-finder of a video camera. It is an advanced version of the AN2514S with additional HD output and enhanced vertical-drive capability. It is easy to make up a 0.5-inch electronic view-finder with minimal external components.

Features

- Built-in video amplifier, synchronization separation, horizontal/vertical oscillator, AFC, and vertical driver circuits.
- Direct driving of a vertical deflection coil available.
- Built-in capacitor for vertical synchronous signal separation



Block Diagram



ICs for Video Camera

6932852 0014688 432

Panasonic

Pin Descriptions

Pin No.	Pin name	Pin No.	Pin name
1	Vertical size control input	9	H _D output
2	Power supply input	10	GND
3	Vertical deflection coil driver output (1)	11	Video input
4	GND	12	Power supply pin
5	Vertical deflection coil driver output (2)	13	Video amplifier output
6	Vertical oscillation resistor pin	14	Phase comparator output
7	Vertical oscillation capacitor pin	15	Horizontal oscillation resistor pin
8	V _D output	16	Horizontal AFC output

Absolute Maximum Ratings

Parameter	Symbol	Rating	Unit
Supply voltage	V _{CC}	5.5	V
Supply current	I _{CC}	47	mA
Power dissipation ^{Note 2)}	P _D	190	mW
Operating ambient temperature ^{Note 1)}	T _{opr}	-20 to +75	°C
Storage temperature ^{Note 1)}	T _{stg}	-55 to +125	°C

Note 1) T_a=25°C except operating ambient temperature and storage temperatures unless otherwise specified.

Note 2) Power dissipation is that of a package at T_a=75°C.

Recommended Operating Range (T_a=25°C)

Parameter	Symbol	Range
Operating supply voltage range	V _{CC}	4.5V to 5.3V

Electrical Characteristics (T_a=25±2°C)

Parameter	Symbol	Condition	min	typ	max	Unit	Note
Supply current (1)	I ₂		2.35	7.5	13.0	mA	at no-load
Supply current (2)	I ₁₂		5.5	10.0	14.0	mA	at no-load
Video amp. gain	G _v		5.0	6.0	7.0	dB	
Video amp. dynamic range	DR _v		2.0	3.0	4.0	dB	
Synchronous separating capability (1)	HSEP1		0.2	—	—	V	
Synchronous separating capability (2)	HSEP2		—	—	1.3	V	
Video signal H _D width	τ _{Hout}		7.0	8.0	9.0	μs	
H _D width	τ _{HD}		8.5	9.5	10.5	μs	
AFC output H _D width	τ _{AFCHD}		9.5	10.5	11.5	μs	
Horizontal free oscillation freq.	f _{Hfree}		14.25	15.75	17.25	kHz	
AFC lock range	f _{AFC}		15.25	15.75	16.25	kHz	
AFC control sensitivity	β		840	960	1080	Hz/μA	
Vertical separation time	T _{VSEP}		8	16	24	μs	
V _D width	τ _{VD}		800	900	1000	μs	
Video signal V _D width	τ _{Vout}		1.1	1.3	1.5	ms	
Vertical free-oscillation frequency	f _{Vfree}		45	49	53	Hz	
Vertical deflection output amplitude (1)	v _{VDEF1}		1.3	1.6	1.9	V	
Vertical deflection output amplitude (2)	v _{VDEF2}		1.3	1.6	1.9	V	
Vertical deflection output dynamic range (1)	DR _{VDEF1}		2.0	2.4	2.8	V	
Vertical deflection output dynamic range (2)	DR _{VDEF2}		2.0	2.4	2.8	V	

6932852 0014689 379

Panasonic



LittleDiode supplies new, hard to find or obsolete electronic components and semiconductors all over the world.

With over two million different components listed you are sure to find the part you need.

Feel free to visit us today at our online store:

LittleDiode.com

Looking forward to providing you with the best possible service.