

AN2108NFHQ

Camera Signal Processing(CDS + AGC + Gamma)

■ Overview

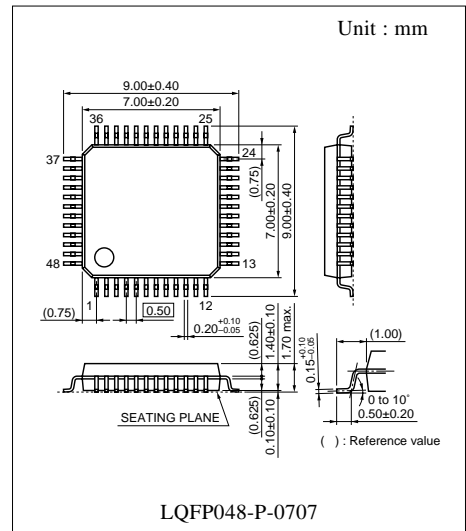
The AN2108NFHQ is a single-chip IC that processes video-signal of CCD-camera and has functions of CDS, AGC, pre-knee and pre-aperture circuits. This CDS circuit is capable of high speed sampling of max. 30 MHz to support high-resolution CCD-camera systems (XGA, SXGA, etc.). AGC and OB level(black level) adjustments can be controlled with on-chip 8-bit DAC.

■ Features

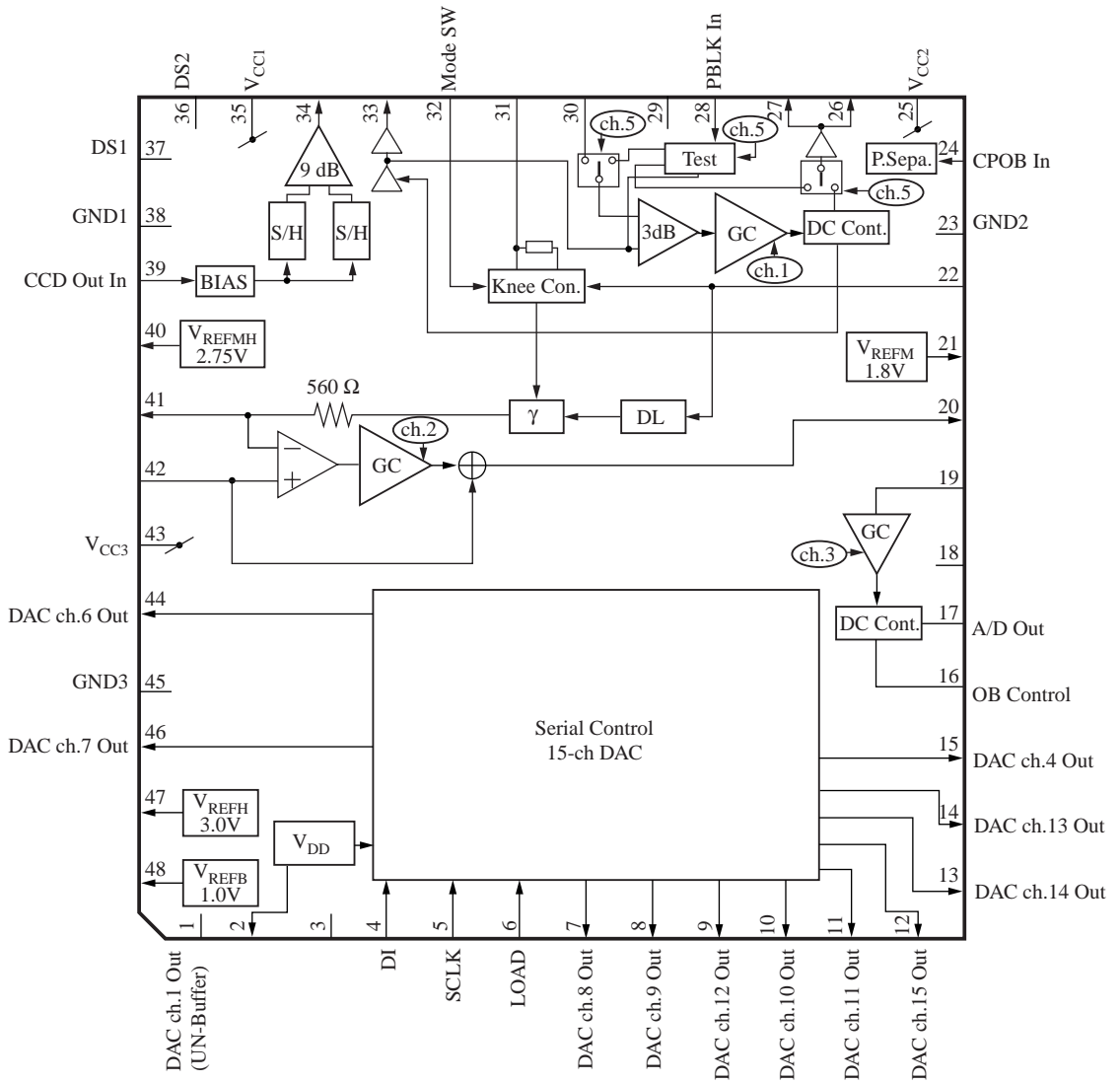
- Capable of high speed sampling of max. 30 MHz
- Capable of controlling OB level at the last output stage
- Capable of switching between 2 modes of pre-knee characteristic
- On-chip DAC(8-bit, 15-channel)for adjustment (11-channels for internal and external outputs)

■ Applications

- Digital still cameras, Camcorders, PC cameras, Monitoring cameras, CCD camera modules, CCD digital camera systems



■ Block Diagram



■ Pin Descriptions

Pin No.	Description	Pin No.	Description
1	DAC CH1 OUT(UN-Buffer)	25	V _{CC2}
2	V _{DD} OUT(3.5 V)	26	AGC OUT 1
3	V _{SS}	27	AGC OUT 2
4	DI	28	PBLK IN
5	SCLK	29	AGC DET
6	LOAD	30	AGC IN
7	DAC ch.8 OUT	31	Trap OUT
8	DAC ch.9 OUT	32	Gamma MODE SW
9	DAC ch.12 OUT	33	AGC REF OUT
10	DAC ch.10 OUT	34	CDS OUT
11	DAC ch.11 OUT	35	V _{CC2}
12	DAC ch.15 OUT	36	Sampling Puls DS2 IN
13	DAC ch.14 OUT	37	Sampling Puls DS1 IN
14	DAC ch.13 OUT	38	GND 1
15	DAC ch.4 OUT	39	CCD OUT IN
16	OB Control	40	V _{REFMH} OUT(2.7 V)
17	A/D OUT	41	Gamma OUT
18	Sub Amp. DET	42	Pre-aperture DL IN
19	Sub Amp. IN	43	V _{CC3}
20	Pre-aperture OUT	44	DAC ch.6 OUT
21	V _{REFM} OUT(1.8 V)	45	GND 3
22	Gamma IN	46	DAC ch.7 OUT
23	GND 2	47	V _{REFH} OUT(3.0 V)
24	CPOB IN	48	V _{REFB} OUT(1.0 V)

■ Absolute Maximum Ratings

Parameter	Symbol	Rating	Unit
Supply voltage	V_{CC}	5.5	V
Supply current	I_{CC}	—	mA
Power dissipation *2	P_D	226	mW
Operating ambient temperature *1	T_{opr}	-20 to +7.5	°C
Storage temperature *1	T_{stg}	-55 to +125	°C

Note) *1 : $T_a = 25\text{ °C}$, except storage temperature and operating ambient temperature.

*2 : The above power dissipation shows the package power dissipation at $T_a = 75\text{ °C}$, in free-air.

■ Recommended Operating Range

Parameter	Symbol	Range	Unit
Supply voltage	V_{CC}	4.5 to 5.1	V

■ Electrical Characteristics at $V_{CC} = 4.8\text{ V}$, $T_a = 25 \pm 2\text{ °C}$

Parameter	Symbol	Conditions	Min	Typ	Max	Unit
Circuit current	I_{TOT}	$V_{CC} = 4.8\text{ V}$	30	40	50	mA
Reference voltage 1	V_{REF1}	$V_{CC} = 4.8\text{ V}$	3.3	3.6	3.9	V
Reference voltage 2	V_{REF2}	$V_{CC} = 4.8\text{ V}$	2.9	3.0	3.1	V
Reference voltage 3	V_{REF3}	$V_{CC} = 4.8\text{ V}$	2.65	2.75	2.85	V
Reference voltage 4	V_{REF4}	$V_{CC} = 4.8\text{ V}$	1.7	1.8	1.9	V
Reference voltage 5	V_{REF5}	$V_{CC} = 4.8\text{ V}$	0.9	1.0	1.1	V
Pulse separation	CPOB	$V_{CC} = 4.8\text{ V}$	1.1	1.4	1.7	V
Sampling pulse threshold 1	V_{TH1}	$V_{CC} = 4.8\text{ V}$	1.15	1.45	1.75	V
Sampling pulse threshold 2	V_{TH2}	$V_{CC} = 4.8\text{ V}$	1.15	1.45	1.75	V
AGC frequency characteristic	G_{FA}	10 MHz Sine wave 300 mV _{PP}	-1.8	-0.4	1.0	dB
AGC level adjustment	V_{ADJ1}	10 stair step 300 mV _{PP}	46	60	7A	Hex
AGC output D-range	V_{AG3}	10 stair step 1.2 V _{PP}	1080	1200	1320	mV _{PP}
AGC min. gain	G_{AG4}	10 stair step 1.2 V _{PP}	—	-3	-5	dB
AGC max. gain	G_{AG5}	10 stair step 50 mV _{PP}	21	24	—	dB
Test signal adjustment	V_{TE}	PBLK input	C0	CE	DF	Hex
Gamma frequency characteristic	G_{FG}	10 MHz Sine wave 300 mV _{PP}	-2.2	-1.0	0.2	dB
Gamma characteristic 1	V_{GM1}	10 stair step 600 mV _{PP} 3rd stage Pin32 = GND	162	180	198	mV _{PP}
Gamma characteristic 2	V_{GM2}	10 stair step 600 mV _{PP} 6th stage Pin32 = GND	-1.0	0	1.0	dB
Gamma characteristic 3	V_{GM}	10 stair step 600 mV _{PP} 9th stage Pin32 = GND	30	80	130	mV _{PP}

■ Electrical Characteristics at $V_{CC} = 4.8\text{ V}$, $T_a = 25 \pm 2\text{ }^\circ\text{C}$ (Continued)

Parameter	Symbol	Conditions	Min	Typ	Max	Unit
Gamma characteristic 4	V_{GM4}	10 stair step 720 mV _{PP} Pin32 = GND	1.22	2.02	3.82	dB
Gamma characteristic 5	V_{GM6}	10 stair step 600 mV _{PP} 9th stage Pin32 = GND	10	30	50	mV _{PP}
Pre-aperture frequency characteristic	G_{FG}	10 MHz Sine wave 300 mV _{PP}	-1.6	-0.4	0.8	dB
Pre-aperture output D-range	V_{PR3}	10 stair step 800 mV _{PP}	700	800	900	mV _{PP}
Pre-aperture gain 1	V_{PR5}	9 MHz Sine wave 300 mV _{PP}	—	-0.2	0.5	dB
Pre-aperture gain 2	V_{PR4}	9 MHz Sine wave 300 mV _{PP}	5.0	7.0	—	dB
Output amplifier frequency characteristic	G_{FB}	10 MHz Sine wave 300 mV _{PP}	-1.6	-0.4	0.8	dB
Output amplifier level adjustment	V_{ADJ2}	10 stair step 300 mV _{PP}	7B	90	A5	Hex
Output amplifier output D-range	V_{AD5}	10 stair step 1000 mV _{PP}	2200	2450	2700	mV _{PP}
Output amplifier gain 1	G_{AD1}	10 stair step 300 mV _{PP}	—	2.5	4.0	dB
Output amplifier gain 2	G_{AD2}	10 stair step 300 mV _{PP}	13.5	15.5	—	dB
Output amplifier gain 3	G_{AD4}	10 stair step 600 mV _{PP}	-1.0	0	1.0	dB
A/D Out output DC 1	V_{OFF1}	Pin16 = 1.0 V	-70	0	70	mV
A/D Out output DC 2	V_{OFF2}	Pin16 = 1.4 V	-70	0	70	mV
Total frequency characteristic	G_{FT}		-3.5	-2.0	-0.5	dB
9 dB amplifier gain	G_1	Sampling pulse 10 MHz CDS input 300 mV _{PP}	7.6	8.6	9.6	dB

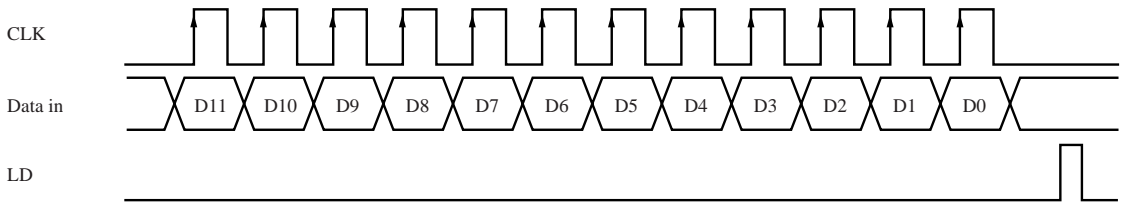
■ Electrical Characteristics(Continued)

• DAC serial Data Format

• DAC serial Data Format												Function				
D11	D10	D9	D8	D7	D6	D5	D4	D3	D2	D1	D0	Address Selection	Function			
0	0	0	0	0	0	0	0	0	0	0	0	Don't Care	—			
1	0	0	0	0	0	0	0	0	0	0	1	CH1	AGC gain control			
0	1	0	0	0	0	0	0	0	0	1	0	CH2	Pre-aperture gain control			
1	1	0	0	0	0	0	0	0	0	1	1	CH3	Sub amp. gain control			
0	0	1	0	CH4	Output DC control			
1	0	1	0	CH5	D7	D6	D5	D4—D0
													AGC output pin signal switching		Pre-apa. On/Off	
0	1	1	0	CH6	Output DC control		Test signal amplitude control	
1	1	1	0	CH7	Output DC control			
0	0	0	1	CH8	Output DC control			
1	0	0	1	CH9	Output DC control			
0	1	0	1	CH10	Output DC control			
1	1	0	1	CH11	Output DC control			
0	0	1	1	CH12	Output DC control			
1	0	1	1	CH13	Output DC control			
0	1	1	1	1	1	1	1	1	1	1	0	CH14	Output DC control			
1	1	1	1	1	1	1	1	1	1	1	1	CH15	Output DC control			

■ Electrical Characteristics(Continued)

DAC serial data timing



ch.5

AGC output pin signal switching

D7	D6	Function
0	0	CDS signal output at AGC on
1	0	Test signal output at AGC on
1	1	Through output of test signal at AGC off

Pre-apa. on/off

D5	Function
0	Pre-aperture off
1	Pre-aperture on

■ Terminal Equivalent Circuit

Pin No.	Symbol	Equivalent Circuit	Function
1	CH1		0.6 to 2.9 V
2	V _{DD}	—	3.5 V
3	V _{SS}	—	—
4	DI		—
5	SCLK		—

■ Terminal Equivalent Circuit(Continued)

Pin No.	Symbol	Equivalent Circuit	Function
6	LOAD		—
7	CH8		0.15 to 3.60 V
8	CH9		0.15 to 3.60 V
9	CH12		0.15 to 3.60 V
10	CH10		0.15 to 3.60 V

■ Terminal Equivalent Circuit(Continued)

Pin No.	Symbol	Equivalent Circuit	Function
11	CH10		0.15 to 3.60 V
12	CH15		0 to 3.6 V
13	CH14		0 to 3.6 V
14	CH13		0.15 to 3.60 V
15	CH4		0.15 to 3.60 V

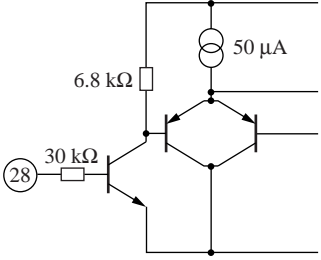
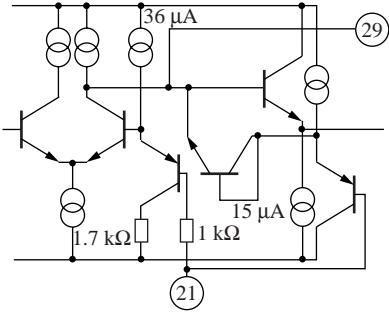
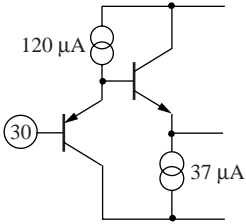
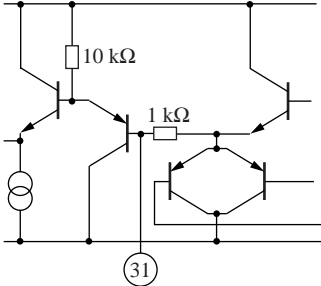
■ Terminal Equivalent Circuit(Continued)

Pin No.	Symbol	Equivalent Circuit	Function
16	OB CONT		—
17	A/D OUT		1.0 to 1.4 V
18	SUB DET		—
19	SUB AMP IN		—
20	PREAPA OUT		1.9 V

■ Terminal Equivalent Circuit(Continued)

Pin No.	Symbol	Equivalent Circuit	Function
21	V_{REFM}	—	1.8 V
22	GAMMA IN		—
23	GND2	—	—
24	CPOB IN		—
25	V_{CC2}	—	4.8 V
26	AGC OUT1		1.8 V
27	AGC OUT2		1.8 V

■ Terminal Equivalent Circuit(Continued)

Pin No.	Symbol	Equivalent Circuit	Function
28	PBLK IN		—
29	AGC DET		—
30	AGC IN		—
31	TRAP OUT		2.0 V

■ Terminal Equivalent Circuit(Continued)

Pin No.	Symbol	Equivalent Circuit	Function
32	MODE SW		—
33	AGC REF		1.2 V
34	CDS OUT		1.2 V
35	V _{CC1}	—	—
36	DS2		—

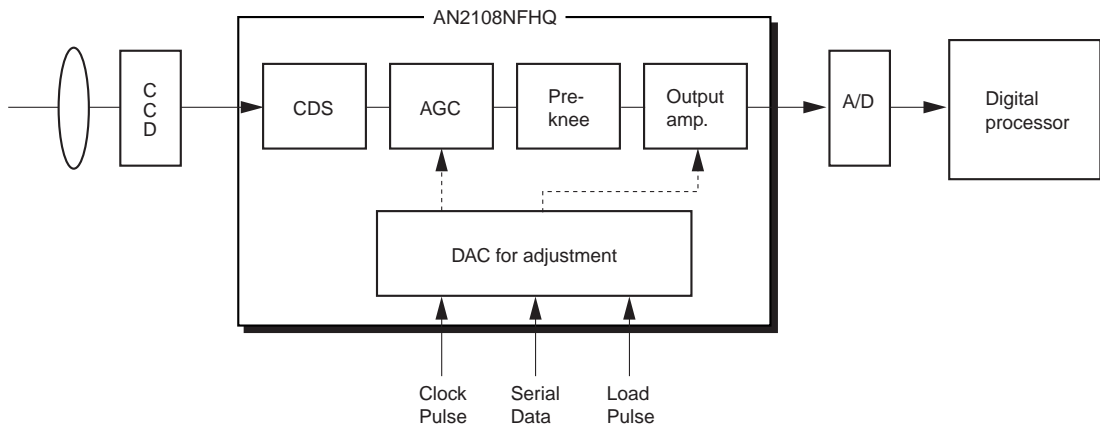
■ Terminal Equivalent Circuit(Continued)

Pin No.	Symbol	Equivalent Circuit	Function
37	DS1		—
38	GND1	—	—
39	CCD IN		—
40	V _{REFMH}	—	2.75 V
41	PREAPA OUT		1.9 V

■ Terminal Equivalent Circuit(Continued)

Pin No.	Symbol	Equivalent Circuit	Function
42	DL IN		—
43	V _{CC3}	—	4.8 V
44	CH6		0.15 to 3.60 V
45	GND2	—	—
46	CH7		0.15 to 3.60 V
47	V _{REFH}	—	3.0 V
48	V _{REFB}	—	1.0 V

■ Application Circuit Example(CCD Camera)



■ Usage Notes

- Supply power to Pins 25,35 and 43 simultaneously.



LittleDiode supplies new, hard to find or obsolete electronic components and semiconductors all over the world.

With over two million different components listed you are sure to find the part you need.

Feel free to visit us today at our online store:

LittleDiode.com

Looking forward to providing you with the best possible service.