

AN2101FH

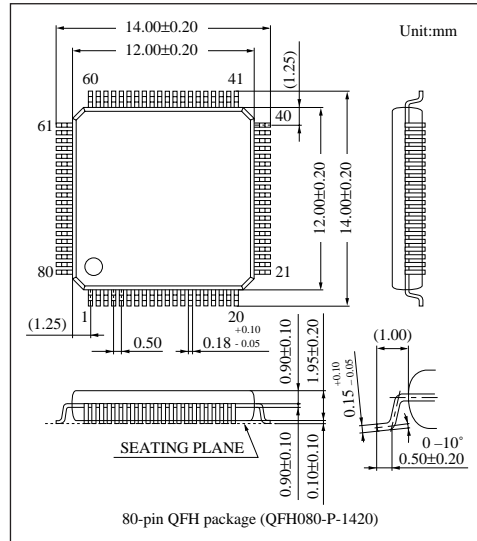
NTSC/PAL signal processor IC for 510H color CCD cameras

■ Overview

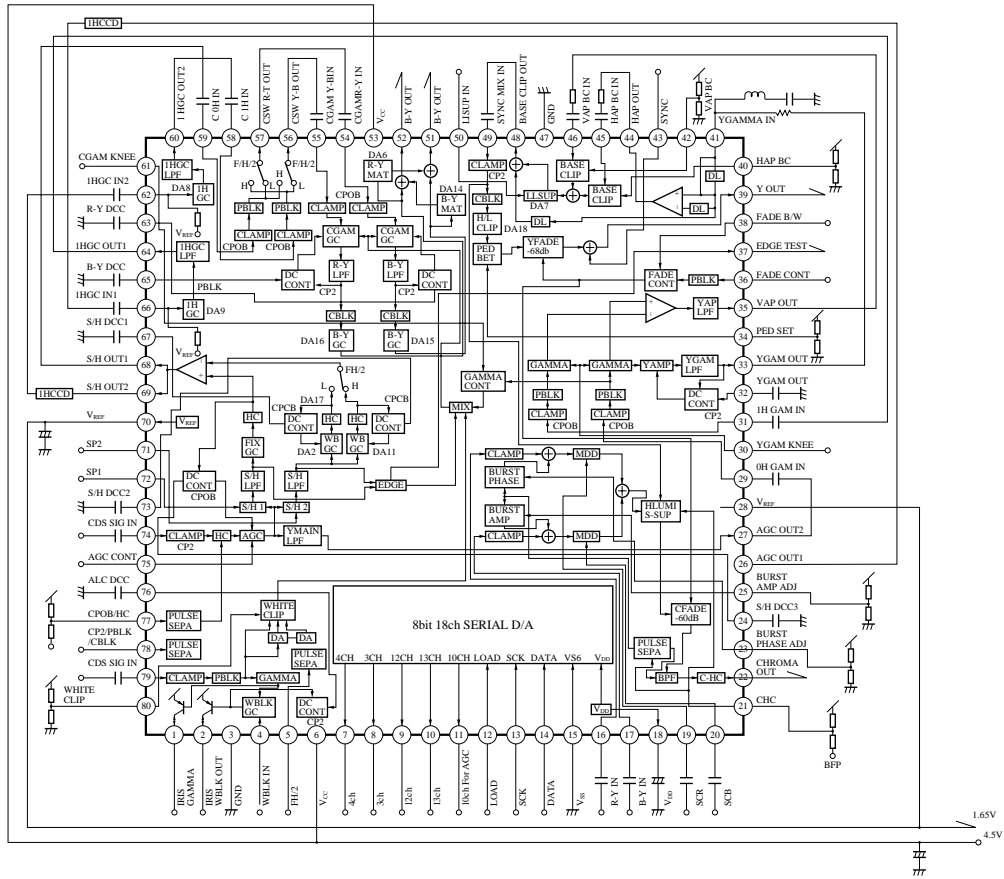
The AN2101FH is a CCD camera video signal processor IC featuring luminance and color-difference signal processing and encoding. A built-in DAC for adjustment eliminates the need of an external volume control.

■ Features

- Supports 510H CCDs (250,000 pixels)
- Compatible with both NTSC and PAL
- Built-in adjustment DAC (8 bits, 16 channels)



■ Block Diagram





LittleDiode supplies new, hard to find or obsolete electronic components and semiconductors all over the world.

With over two million different components listed you are sure to find the part you need.

Feel free to visit us today at our online store:

LittleDiode.com

Looking forward to providing you with the best possible service.