

AN2011S

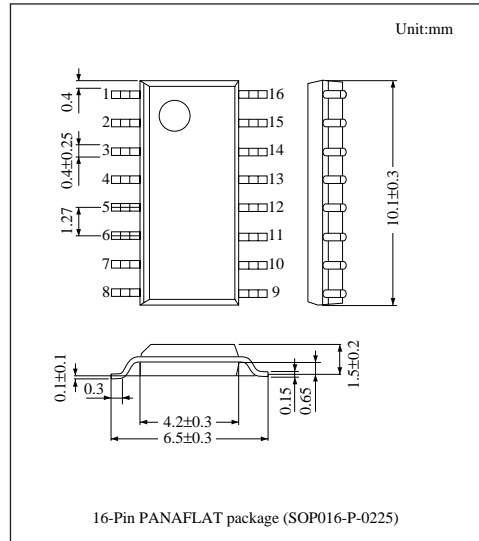
Correlated Double Sampling IC

■ Overview

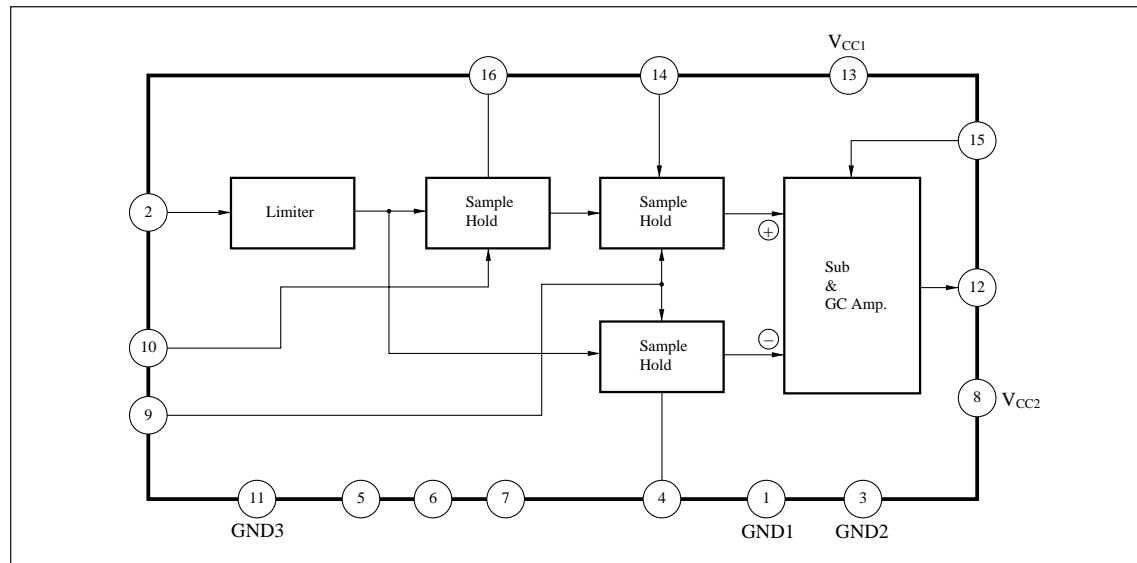
The AN2011S is an integrated circuit that outputs video-signal made from output-signal of CCD image-element by correlated double sampling.

■ Features

- Available for CCD of up to 768H by using the high-speed sampling circuit
- The sampling pulse corresponds to CMOS level.
- The gain is fixed to 6dB.
- Compatible with the AN2010S



■ Block Diagram





LittleDiode supplies new, hard to find or obsolete electronic components and semiconductors all over the world.

With over two million different components listed you are sure to find the part you need.

Feel free to visit us today at our online store:

LittleDiode.com

Looking forward to providing you with the best possible service.