
Application Note

BRINGING UP THE EP72/73XX DEVICE



Note: Cirrus Logic assumes no responsibility for the attached information which is provided "AS IS" without warranty of any kind (expressed or implied).

TABLE OF CONTENTS

1. INTRODUCTION 3

2. THE SUPPORTED POWER MANAGEMENT STATES 3

3. THE DEGLITCHER 3

4. WAKEUP DELAYS 3

 4.1 Power-up Delay - 100us 4

 4.2 1 to 2 Second Delay 4

 4.3 Manual WAKEUP Signal Generation 5

 4.3.1 Automatic WAKEUP Signal Generation 5

5. LOCK-OUT PERIOD DELAYS 6

 5.1 Rationale behind the Lock-out Period Delays 6

6. THE FUNCTION OF "RUN/CLKEN" OUTPUT PIN AS IT RELATES TO WAKEUP OPERATIONS 6

7. WAKEUP AND NURESET CAVEAT 7

8. TIMING DIAGRAMS 8

 8.1 Timing Diagram in the case of a Cold Boot 8

 8.2 Timing Diagrams for the Case of Wakeup from Standby State 9

9. AUTOMATIC WAKEUP CIRCUIT 11

LIST OF FIGURES

Figure 1. EP72/73XX Power Management States 3

Figure 2. Example Circuit for Keeping nURESET Inactive during Prescribed Period 7

Figure 3. Timing Diagram for the Case of a Cold Boot 8

Figure 4. Timing Diagram, External OSC(13 MHz) with "CLKEN" on "RUN/CLKEN" Pin 9

Figure 5. Timing Diagram, External OSC (13 MHz) with "RUN" on "RUN/CLKEN" Pin 9

Figure 6. Timing Diagram, PLL Clock with "CLKEN" on "RUN/CLKEN" Pin 10

Figure 7. Timing Diagram, PLL Clock with "RUN" on "RUN/CLKEN" Pin 10

Figure 8. Automatic Wakeup Circuit..... 11

LIST OF TABLES

Table 1. Wakeup Delays 6

Contacting Cirrus Logic Support

For a complete listing of Direct Sales, Distributor, and Sales Representative contacts, visit the Cirrus Logic web site at:
<http://www.cirrus.com/corporate/contacts/sales.cfm>

Preliminary product information describes products which are in production, but for which full characterization data is not yet available. Advance product information describes products which are in development and subject to development changes. Cirrus Logic, Inc. has made best efforts to ensure that the information contained in this document is accurate and reliable. However, the information is subject to change without notice and is provided "AS IS" without warranty of any kind (express or implied). No responsibility is assumed by Cirrus Logic, Inc. for the use of this information, nor for infringements of patents or other rights of third parties. This document is the property of Cirrus Logic, Inc. and implies no license under patents, copyrights, trademarks, or trade secrets. No part of this publication may be copied, reproduced, stored in a retrieval system, or transmitted, in any form or by any means (electronic, mechanical, photographic, or otherwise) without the prior written consent of Cirrus Logic, Inc. Items from any Cirrus Logic web site or disk may be printed for use by the user. However, no part of the printout or electronic files may be copied, reproduced, stored in a retrieval system, or transmitted, in any form or by any means (electronic, mechanical, photographic, or otherwise) without the prior written consent of Cirrus Logic, Inc. Furthermore, no part of this publication may be used as a basis for manufacture or sale of any items without the prior written consent of Cirrus Logic, Inc. The names of products of Cirrus Logic, Inc. or other vendors and suppliers appearing in this document may be trademarks or service marks of their respective owners which may be registered in some jurisdictions. A list of Cirrus Logic, Inc. trademarks and service marks can be found at <http://www.cirrus.com>.

1. INTRODUCTION

This application note describes in detail the recommended procedure for applying power to the EP72/73XX device, and how to transition from the Standby State into the Operating State.

2. THE SUPPORTED POWER MANAGEMENT STATES

The EP72/73XX supports the following Power Management States:

- Operating — The normal program Execution State is the Operating State; this is a full performance State where all of the clocks and peripherals are enabled.
- Idle — The Idle State is the same as the Operating State with the exception of the CPU clock being halted. An interrupt will return it back to the Operating State.
- Standby — The Standby State has the lowest power consumption; selecting this state shuts down the main oscillator, leaving only the Real Time Clock (RTC) and its associated logic powered. When the EP72/73XX is in the Standby State, the device is basically turned “off.” Only the WAKEUP pin or interrupt source can wake up the device.

See Figure 1 to see the interactions between the power management states.

Note: The WAKEUP signal is only used to exit the Standby State, not the Idle State. The only state that the Standby State can transition to is the Operating State.

3. THE DEGLITCHER

Built into the EP72/73XX are six identical conditioning circuits. They are designed to deglitch the following six signals:

- WAKEUP
- nBATCHG
- nPWRFL
- nURESET
- nMEDCHG
- Low Battery Interrupt (combination of BATOK, nEXTPWR and the internal RUN signal).

For any of the above signals to become active internal to the EP72/73XX, they must first be deglitched. Each deglitcher is simply two D Flip Flops in series configured so that the input signal must be held active (HIGH) for a minimum of two clock edges. The clock source is derived from the RTC. It is ½ the RTC frequency (i.e., ½ of 32.768 kHz = 16.384 kHz). The deglitcher performs two tasks:

- 1) No input signal will pass through it, unless it is held active for at least two clock edges.
- 2) It guarantees that the output signal from the deglitcher will be active for a minimum of ~ 62us (i.e., 1/16.384 kHz).

4. WAKEUP DELAYS

The EP72/73XX device has several different time delays that may occur when powering up and/or exiting the Standby State. The sections below describe them all.

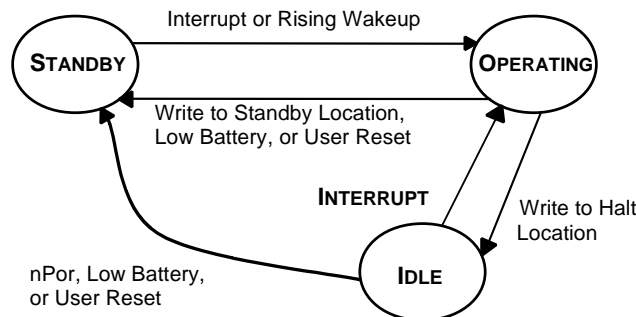


Figure 1. EP72/73XX Power Management States

4.1 Power-up Delay - 100us

Upon power-up, the EP72/73XX is in an unknown state. It must first be reset by the power-on reset signal (nPOR). nPOR (active low) should be held low until the power supply reaches its operational voltage to initialize the EP72/73XX properly, and to allow the RTC to stabilize. Since the power-on reset operates asynchronously to the system clock, it is not required to wait until the system clock is stabilized. Therefore, the signal nPOR must be held low at 100us after the power supply has stabilized. Afterwards, nPOR should be held high.

During normal operation (i.e., after the initial power-up) if nPOR is used to reset the EP72/73XX, it needs to be held low for at least one clock cycle of the selected clock speed (e.g., when running at 13 MHz, the low pulse width needs to be $> 1/13 \text{ MHz} = 77 \text{ ns}$). This is done to guarantee that it will be detected low.

If the EP72/73XX V_{dd} core supply ever drops below the DC recommended operating range, the device must be fully reset to guarantee that all internal logic is in a known state. This especially applies to the internal State Control logic block. This logic block must be reset to guarantee proper operation of the device. To fully reset the device, nPOR must be used. The signals nPWRFL and nURESET do not reset the State Control block.

When nPOR transitions from a low to high state, it latches several signals into the EP72/73XX. These signals are the following:

- Test[0:1]
- Port E[0:2]
- nURESET
- DRIVE[0:1]
- nMEDCHG

Since the levels of each of the above signals are latched upon nPOR rising, they need to have settled to their desired level. The recommended method of accomplishing this is by tying each of the signals directly to V_{dd} or gnd, or by pulling them either high or low. Test[0:1] and nURESET are latched upon reset to determine if the EP72/73XX should enter a Test mode upon power-up. For normal operation, all three signals should be either tied or pulled high. See the product data sheet for a description of each of the other signals.

4.2 1 to 2 Second Delay

A power-up or cold boot delay occurs when power is first applied to the EP72/73XX. However, it can also occur after a battery change or power failure. A power failure could occur due to the battery or wall powered supply voltage dropping below a predefined level.

Built into the EP72/73XX is a circuit that has been created to prevent the EP72/73XX from exiting the Standby State due to a false battery GOOD indication caused by alkaline battery recovery. The circuit requires that the power supply voltage be at the acceptable level for at least one second. The EP72/73XX implements this by conditioning several signals into another deglitcher. This deglitcher is clocked by a 1 Hz clock source, derived from the RTC. Therefore, the power to the EP72/73XX must be stable for at least 2 seconds (i.e., a minimum of two 1 Hz clock edges). The signals supplied to this deglitcher are the following:

- nPOR
- nPWRFL
- BATOK
- nEXTPWR

In order for the output of this deglitcher to become active, it must have the signals nPOR and nPWRFL = 1, and either BATOK = 1 or nEXTPWR = 0.

After the above criteria is met, there are two methods that can be used to exit the Standby State:

- 1) By using the WAKEUP signal, or
- 2) By receiving a keypress, RTC, external, or media change interrupt. In order for this to work, the KBWEN bit must be set in the SYSCON2 register.

- Notes:
1. The use of the keypress interrupt is disabled after any of the three available resets become active (i.e. nPOR, nURESET, or nPWRFL) due to the fact that the KBWEN bit is cleared by default. Therefore, a keypress cannot wake-up the device after a cold boot or power fail.
 2. When the EP72/73XX is in the Standby State, the nPWRFL signal is disabled. It cannot be used to reset the device.

At any time, if nPOR or nPWRFL become active, or BATOK and nEXTPWR both become inactive, the EP72/73XX will require this two second delay before it can exit the Standby State, after all of these signals return to their normal operating state. After the EP72/73XX has been reset by nPOR, the device will transition into the Standby State. The only method that can be used to exit the Standby State is by the device detecting the WAKEUP signal transitioning from a low to high. However, the EP72/73XX has the 2 second fixed delay before it can detect this transition. Therefore, if the WAKEUP signal rises prior to this delay expiration, it will be ignored. It will have to go low and high again once the delay period has expired.

When the EP72/73XX is not in the Standby State, if BATOK and nEXTPWR both become inactive, the EP72/73XX will not enter the Standby State immediately. Rather, they simply will generate an interrupt (BLINT in the INTSR1 register). Therefore, action taken by this interrupt is solely determined by software. For example: this interrupt could be used to send a message to the display informing the user that the battery needs to be changed. After a period of time, the software could then decide to force the device into the Standby State by writing to the STDBY register.

4.3 Manual WAKEUP Signal Generation

There are numerous methods of creating the WAKEUP signal. If it is desired to force the user to perform some form of intervention to wake up the device; here is one possible approach when a keypad is used with the Column drive and the Port A row pins. By default upon power-up, the Col[x] pins are all driven high and the Port A[x] pins are all configured as inputs. Route a key so that one terminal is connected to one of the Col[x] pins, and the other terminal is connected to one of the Port A[x] pins. Connect the Port A[x] pin to the WAKEUP pin. Connect a 47k pull-down resistor to this node. When the key is pressed that is tied to Port A[x], it will cause this node to go high. Since it is connected to the WAKEUP pin, it will also cause the WAKEUP signal to go high, thus waking up the EP72/73XX. Two factors are assumed here: 1). The key will not be pressed until two seconds after the product is powered-up, and 2). The key will be depressed for longer than 125us. It should be easy to comply with both of these factors.

After the EP72/73XX has entered the Operating State, the WAKEUP signal is ignored, and thus it will not have any affect on the EP72/73XX if the key is used in a normal manner. If the product re-enters the Standby State due to software control, this key can be used to re-wake the product. If it is desired to disable this key from allowing the product to re-exit the Standby State, then its WAKEUP functionality can be disabled by forcing the WAKEDIS bit high in the SYSCON1 register. This will cause the EP72/73XX to ignore any activity on the WAKEUP pin. It will be ignored until the EP72/73XX is reset or the software clears the WAKEDIS bit.

4.3.1 Automatic WAKEUP Signal Generation

If it is desired to implement a design that will force the EP72/73XX to automatically enter the Operating State upon power-up, it is possible to create a simple square wave generator whose output becomes the WAKEUP signal. The period of each cycle must be greater than $2 \times 125\text{us} = 250\text{us}$. Thus this signal can be used to automatically wake up the EP72/73XX.

While in the Operating and Idle States, the WAKEUP signal is ignored. Therefore, it can continue to toggle without any effect. However, if the EP72/73XX is forced back into the Standby State, it would immediately re-wake, unless somehow this external WAKEUP signal has been disabled. Two methods are available:

The first method uses the software to set the WAKEDIS bit after the EP72/73XX has entered the Operating State. This will disable the WAKEUP signal from immediately forcing the EP72/73XX out of the Standby State, when forced to do so by the software. However, this approach does have one drawback. When the WAKEDIS bit is set, it also prevents the device from being wakened by a keypress after a power fail indication or battery change occurs.

If you want to have the ability to wake the device with a keypress, then an external WAKEUP signal disabler must be implemented. This can easily be done by adding a two input NOR gate in series with the output of the square wave generator. One of the inputs into the NOR gate is the output of the square wave generator. The other is an unused GPIO pin. The GPIO pin should have a pulldown on it to prevent it from floating upon power-up. After the EP72/73XX has entered the Operating State, program this GPIO pin so that it forces it high. This will cause the output of the NOR to go low. Use the output of this NOR gate as the input into the WAKEUP pin. See the Figure 8, “Automatic Wakeup Circuit,” on page 11.

5. LOCK-OUT PERIOD DELAYS

These delays can be described as the amount of delay from when the WAKEUP signal first rises, until the CPU starts fetching instructions. There are two cases of these wakeup delays in the EP72/73XX. One case is the cold boot that can happen after power-up, in changing a battery, or a power failure. The second instance occurs after software has forced the device into the Standby State. In both cases, the internal system clock is turned off to save power consumption. To resume the normal operation upon receiving the WAKEUP signal, the system has to wait until the system clock is stabilized. This waiting period is defined as the Lock-out Period.

The internal system clock is controlled by an internally generated signal (Internal RUN), which is activated by the wakeup source with a predefined delay time (lock-out period delay). This delay will ensure the clock source is stabilized before the internal system clock is turned on. When the internal system clock starts running, the device resumes the normal operation in which instructions are executed.

5.1 Rationale behind the Lock-out Period Delays

The amount of the lock-out period delay has been hardwired internally to ensure that enough time has elapsed for the clock source to be stable before the clock to the CPU is enabled. It also varies depending upon the source of system clock (external oscillator or internal PLL). In a system that is designed to use the internal PLL or the oscillator with an enable / disable feature, it takes some time (a few hundred ms) to establish a stable clock output after powering on the PLL or the external oscillator. Therefore, the internal system clock enable signal (Internal RUN) should wait a longer time than in the case when the oscillator is always running. The specific wakeup delays are tabulated in Table 1.

6. THE FUNCTION OF "RUN/CLKEN" OUTPUT PIN AS IT RELATES TO WAKEUP OPERATIONS

There is a multipurpose output pin named "RUN/CLKEN". The function of the pin is determined by one bit (CLKENSL) in the SYSCON2 register. When CLKENSL = 0, it configures this pin to become the "CLKEN" signal. When CLKENSL = 1, it configures it to become the "RUN" signal. Both signals are affected by the WAKEUP signal and play an important role in the wakeup operation. Their relationship will be described below.

Regardless of the origin of the clock source (the external OSC or PLL), when the RUN/CLKEN is programmed as "RUN," the Internal RUN signal is brought out through this pin, which can be used as an indicator of the internal state of the device. In this case, the wakeup delay is directly measurable through the RUN signal, and the variance of the delay amount can be observed in different configurations.

When the RUN/CLKEN pin is programmed as "CLKEN," it is designed to enable or disable the external oscillator under the control of the EP72/73XX. Since it is desirable to promptly turn "on" the oscillator upon receiving the WAKEUP signal, the time delay from the WAKEUP signal to the CLKEN activation (0 to 1) is designed to be minimal (almost immediate). It takes between 62 - 125 us to deglitch the WAKEUP input. Immediately after the WAKEUP signal is deglitched, CLKEN will go high. Then CLKEN can be used to re-enable the external oscillator. CLKEN can be used as an indicator of the internal state of the EP72/73XX, but is not recommended because there is a latency period (CLKEN to Internal RUN) involved until the wakeup delay lapses. In this case, the wakeup delay is not directly measurable, but can be observed indirectly by monitoring activities on other functional pins such as a GPIO pin.

Case	Wakeup Delay
Cold boot PLL External Oscillator with enable	125 - 250ms
External Oscillator when always "on"	62 - 125us(mini- mum)

Table 1. Wakeup Delays

7. WAKEUP AND nRESET CAVEAT

When the WAKEUP signal is used to exit the Standby State, nRESET must be held in its inactive state. During the period of time between when the WAKEUP signal becomes active and the EP72/73XX device completely enters the Operating State, nRESET must remain inactive. If nRESET becomes active during this period of time, the device may lock up, and the only recovering mechanism is to perform a complete reset. This will have to be accomplished by using the nPOR signal. It is very easy to avoid this potential overlap between these two signals.

OPTION #1:

Tie nRESET to V_{dd} . This approach is the simplest.

However, if the functionality that nRESET can provide is desired, then refer to Option #2.

OPTION #2:

Implement a circuit that keeps nRESET inactive during the prescribed period of time. (The period of time between when the WAKEUP signal becomes active and the EP72/73XX device completely enters the Operating State.) A very simple circuit will fulfill this requirement. See Figure 2.

This is how it works:

Upon power-up, the output of the OR gate is forced high, thus forcing nRESET to be inactive. It is forced high because the GPIO signal is configured as an input upon power-up (if using one of Port A, B, or E's pins), or it is forced high upon power-up if it is one of Port D's pins. Therefore, any activity on the actual "User Reset" signal, which could be from a pushbutton, will have no effect. After the device has entered the Operating State, the initialization code can configure the used GPIO pin so that it drives its output low. This will now allow the "User Reset" signal to force the nRESET signal to be driven low (i.e., active).

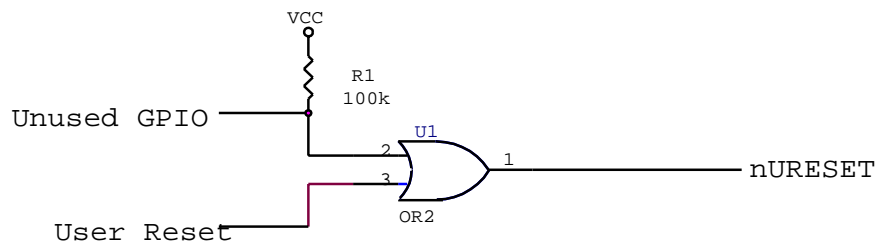


Figure 2. Example Circuit for Keeping nRESET Inactive during Prescribed Period

8. TIMING DIAGRAMS

8.1 Timing Diagram in the case of a Cold Boot

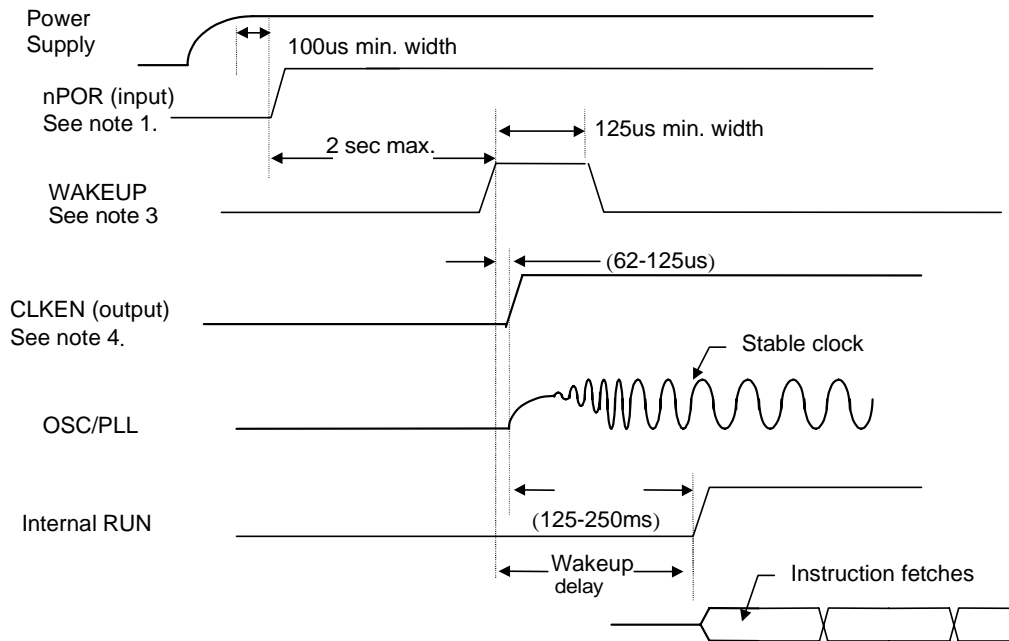


Figure 3. Timing Diagram for the Case of a Cold Boot

- Notes:
1. nPOR (active low) should be held low until the power supply reaches its operational voltage to initialize the EP72/73XX properly, and to allow the RTC to stabilize. Since the power-on reset operates asynchronously to the system clock, it is not required to wait until the system clock is stabilized.
 2. During normal operation (i.e., after the initial power-up) if nPOR is used to reset the EP72/73XX, it needs to be held low for at least one clock cycle of the selected clock speed (e.g., when running at 13 MHz, the low pulse width needs to be > 77 ns). This is done to guarantee that it will be detected low.
 3. The EP72/73XX will not start trying to detect the active going edge of the WAKEUP signal until up to 2 seconds after the power-on reset. If the WAKEUP signal goes HIGH prior to this time delay, it may not be acknowledged, thus requiring another wakeup signal fulfilling the minimum pulse width.
 4. Upon pressing the power-on reset, the configuration bit (CLKENSL) in the SYSCON2 register is reset to 0, resulting in the RUN/CLKEN output pin programmed as "CLKEN."

8.2 Timing Diagrams for the Case of Wakeup from Standby State

A. External OSC(13Mhz) with “CLKEN” on “RUN/CLKEN” pin

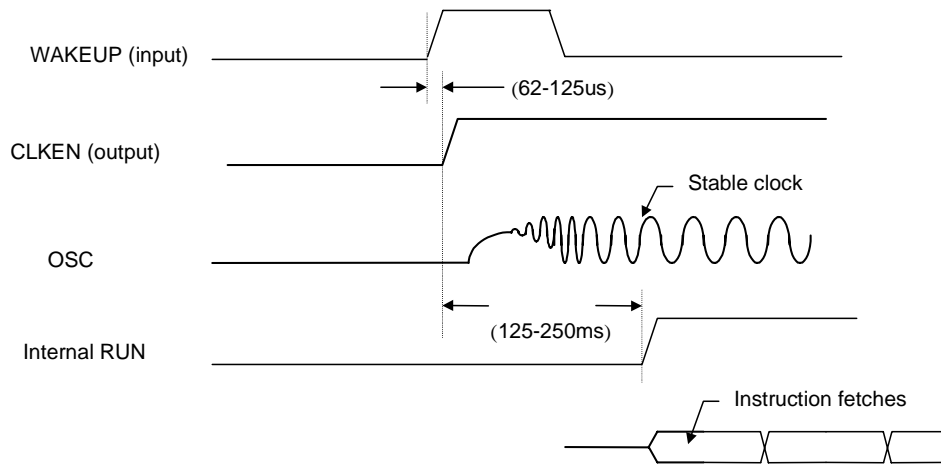


Figure 4. Timing Diagram, External OSC(13 MHz) with “CLKEN” on “RUN/CLKEN” Pin

Note: In Figure 4, the system assumes that the CLKEN pin enables the external oscillator.

B. External OSC (13 MHz) with “RUN” on “RUN/CLKEN” Pin

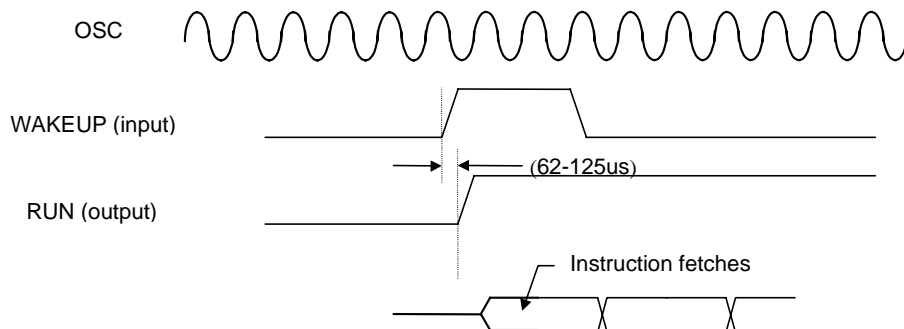


Figure 5. Timing Diagram, External OSC (13 MHz) with “RUN” on “RUN/CLKEN” Pin

Note: In Figure 5, the system assumes that the OSC is permanently enabled.

C. PLL Clock with “CLKEN” on “RUN/CLKEN” pin

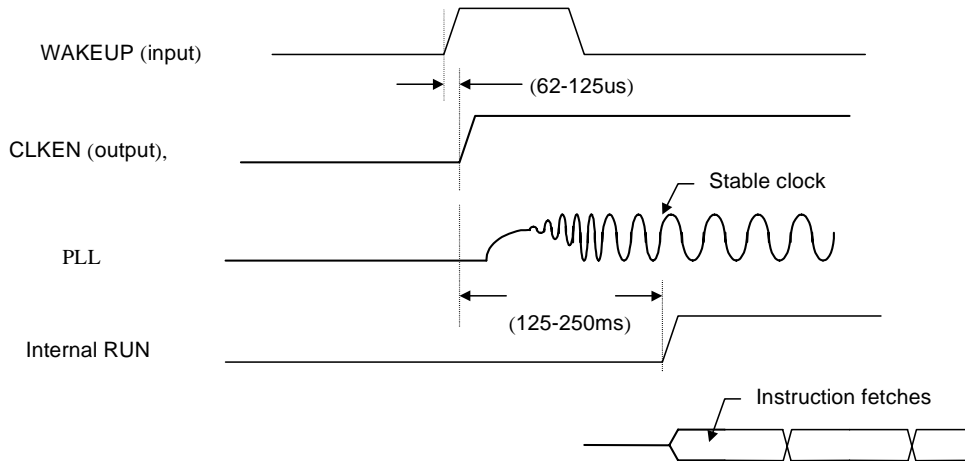


Figure 6. Timing Diagram, PLL Clock with “CLKEN” on “RUN/CLKEN” Pin

D. PLL Clock with “RUN” on “RUN/CLKEN” Pin

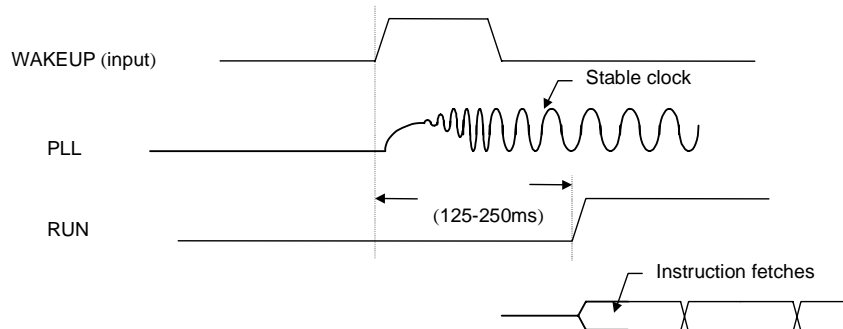


Figure 7. Timing Diagram, PLL Clock with “RUN” on “RUN/CLKEN” Pin

9. AUTOMATIC WAKEUP CIRCUIT

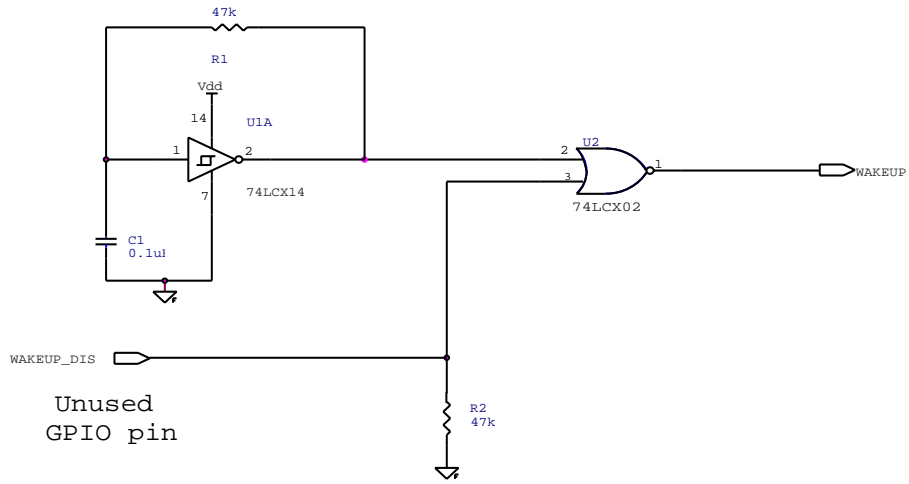


Figure 8. Automatic Wakeup Circuit

Maverick™



from
CIRRUS LOGIC



LittleDiode supplies new, hard to find or obsolete electronic components and semiconductors all over the world.

With over two million different components listed you are sure to find the part you need.

Feel free to visit us today at our online store:

LittleDiode.com

Looking forward to providing you with the best possible service.