

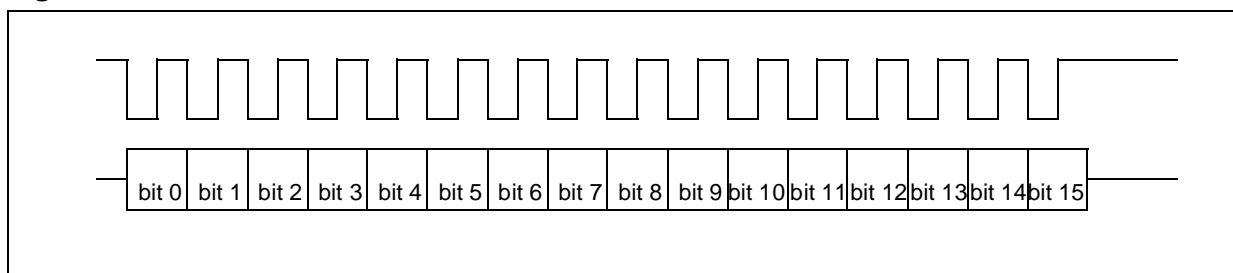
USING THE ST7 SPI TO EMULATE A 16-BIT SLAVE

By Microcontroller Division Applications

INTRODUCTION

This application note describes how to emulate a 16-bit slave SPI using an ST7 microcontroller with an on-chip 8-bit SPI.

Figure 1. 16-bit SPI frame



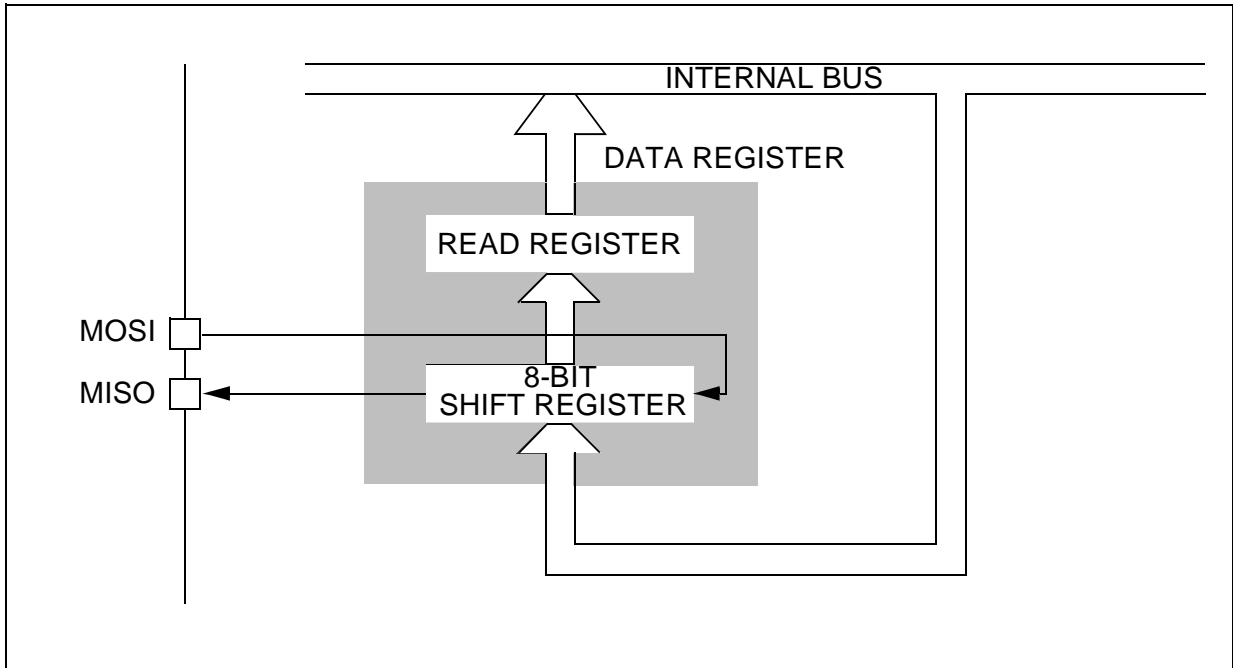
1 PRINCIPLE

The ST7 SPI cell has a double buffer for receiving data using two 8-bit registers: a read register and a shift register (see Figure 2.). The application software accesses the read register to retrieve the received data. The 8-bit shift register is managed by hardware to receive the 8 bits of each byte. As each bit is received, it is shifted into the shift register. During byte reception, the read register is not changed. It contains the previously received byte which can still be read by software. At the end of byte reception, the 8-bit shift register is copied into the read register.

This double buffering makes it possible to receive 16-bit words. At the end of reception of the first byte, the shift register is copied into the read register, the SPIF flag is set and an interrupt can be generated. The next in-coming byte will be received in the shift register while the first byte is available in the read register. In order not to lose any bits, the software must be fast enough to read the first byte before the end of the reception of the second one.

Note: The SPI SR (SPI Status Register) is also called SPICSR (SPI Control/Status Register) depending on which ST7 microcontroller device you use. In this application note, we'll use the name SPI SR for the status register.

Figure 2. Data Register Block diagram



2 SOFTWARE

Figure 3. C code (COSMIC C Compiler) for the interrupt routine

```
@interrupt @nostack void SPI_Interrupt(void)
{
volatile TwoBytes twobytesDR;

if (ValBit(SPISR,SPIF)) // if a byte is received (SPIF=1) + first step to clear int flags
{
twobytesDR.b_form.low=SPIDR; //1st byte storage
while(ValBit(SPISR,SPIF));
twobytesDR.b_form.high=SPIDR; //2nd byte storage
}
else // then MODF flag caused the interrupt -> add your own code here
{
SPICR=0xC4; // second step to clear MODF flag: write access to SPICR (init value)
}
}
```

Figure 4. Disassembled interrupt routine code

```

_SPI_Interrupt:
    btjf _SPISR,#7,L501
    ld a,_SPIDR
    ld _SPI_Interrupt$L-1,a
L311:
    btjt _SPISR,#7,L311
    ld a,_SPIDR
    ld _SPI_Interrupt$L-2,a
    iret
L501:
    ld a,#196
    ld _SPICR,a
    iret

```

where:

```

typedef unsigned char u8; /* unsigned 8 bit type definition */
typedef signed char s8; /* signed 8 bit type definition */
typedef unsigned int u16; /* unsigned 16 bit type definition */
typedef signed int s16; /* signed 16 bit type definition */
typedef unsigned long u32; /* unsigned 32 bit type definition */
typedef signed long s32; /* signed 32 bit type definition */

typedef union {
    u16 w_form; /* bit accesses: 16> var.w_form */
    struct {
        u8 high, low; /* 8> var.b_form.high/low */
    } b_form;
} TwoBytes;

```

Note: On some devices, another flag called OVR (overrun) can also cause an SPI interrupt to occur. In this case, you will have to add some code to the interrupt routine to handle this.

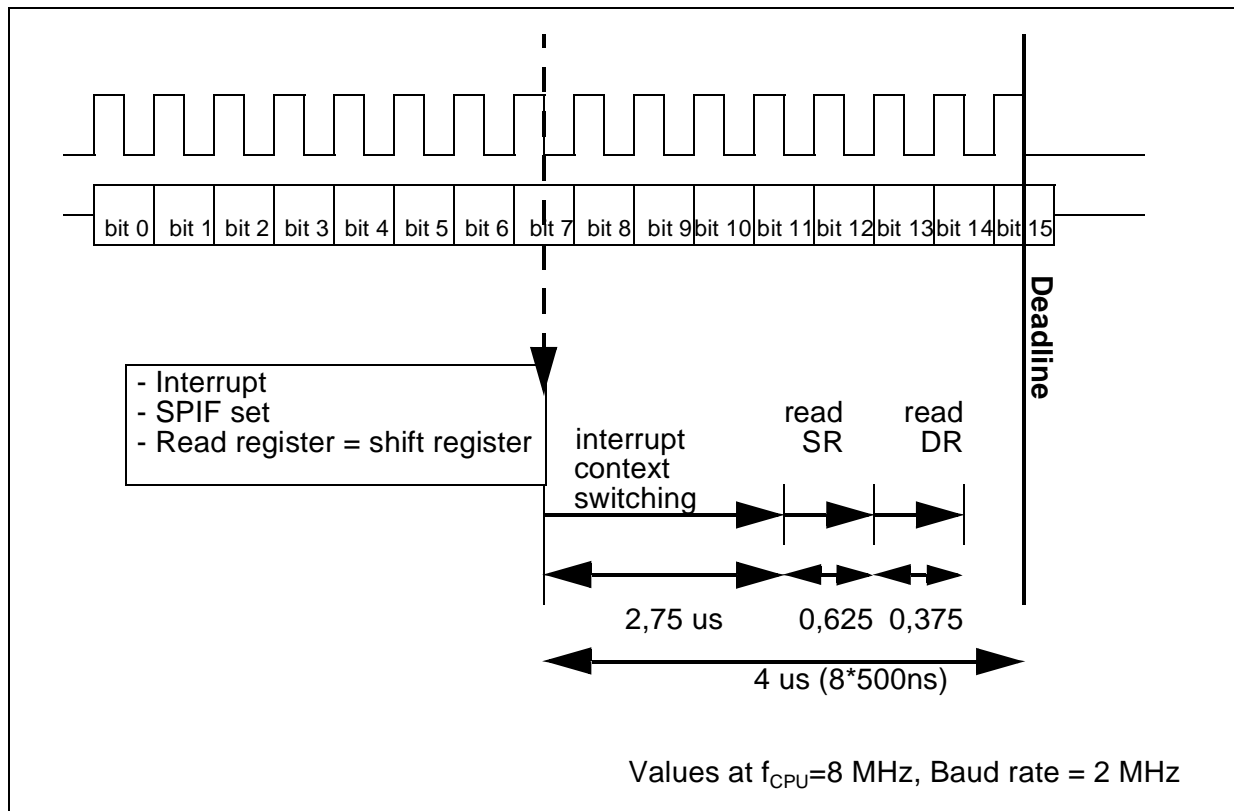
3 MAXIMUM BAUD RATE

The baud rate is limited by the speed of the ST7 SPI hardware, which runs at 2 MHz maximum (for a master @ $f_{CPU} = 8$ MHz). We can calculate if this baud rate allows enough time for the software to read the data register before the end of the reception of the second byte.

The time needed to release the data register is 4 microseconds at 2 MBaud. The time needed by the software consists of:

- The interrupt context switching: worst case: 2,75us
 - Firstly, the current instruction must finish: worst case: multiply instruction: 12 cycles = 1,5us @ 8 MHz internal. Secondly the hardware needs 10 cycles = 1,25us @ 8 MHz internal frequency to save the context before jumping to the interrupt routine.
- A read access to the status register: 0,625us
 - `btjf _SPIISR,#7,L501` takes 5 cycles = 0,625us
- A read access to the data register: 0,375us
 - `ld a,_SPIDR` takes 3 cycles = 0,375us

Figure 5. Data Reception Timing Analysis



The time needed by the software is 30 cycles = 3,75us < 4us.

In the case of concurrent interrupts, the SPI interrupt must always be the first served. The only way to ensure this happens is to have only the SPI interrupt enabled. Otherwise, if another interrupt is served between two received words, an overrun condition will occur.

In the case of nested interrupts, the SPI interrupt only needs to have the highest priority, to be always immediately served.

CONCLUSION: The maximum baud rate, which can be reached is 2 MBaud.

4 MEASUREMENTS

The goal of the measurement is to verify the above theory and to see whether the software correctly receives both bytes. What is especially important is the time needed to read the data register, which releases the shift register for the reception of the 2nd byte. To measure this time an I/O port pin is used and cleared after reading the data register. The interrupt routine is therefore slightly modified for the measurement (Figure 6.). The timing conditions are: SPI baud rate = 2 Mbaud and $f_{CPU} = 8$ MHz.

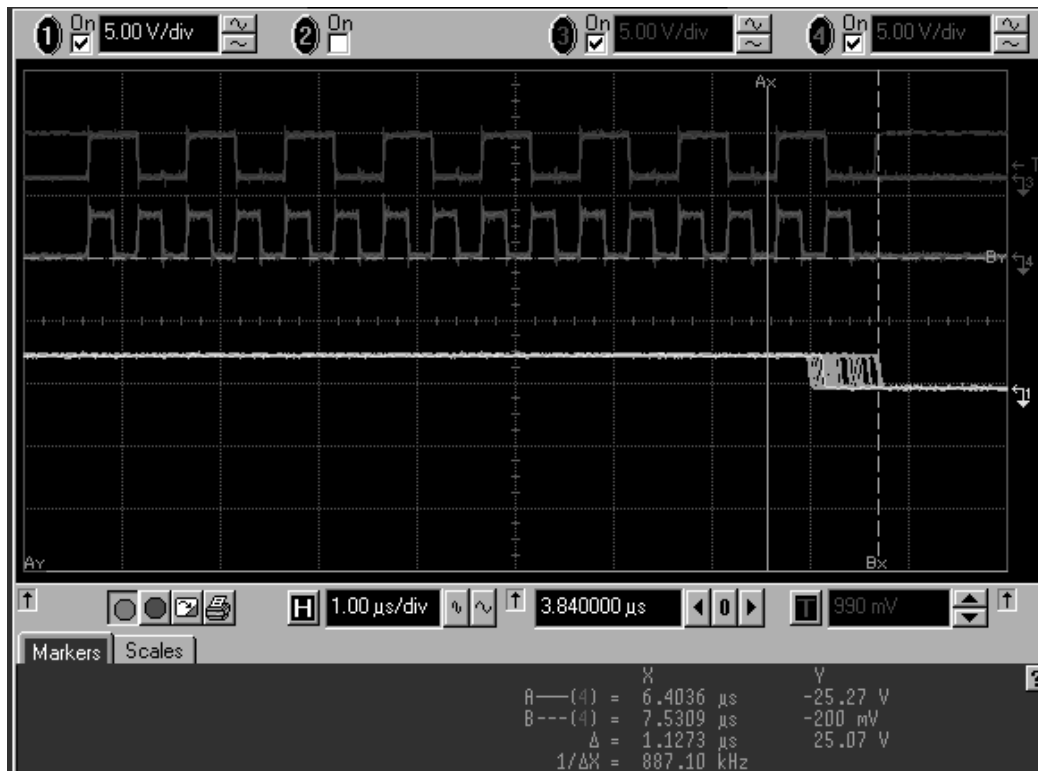
Figure 6. Measurement Software

<i>C code</i>	<i>Assembly code</i>
<pre> if (ValBit(SPISR,SPIF)) { twobytesDR.b_form.low=SPIDR; PBDR=0x00; while(!ValBit(SPISR,SPIF)); twobytesDR.b_form.high=SPIDR; PBDR=0xFF; } else { SPICR=0xC4; } </pre>	<pre> _SPI_Interrupt: btjf _SPISR,#7,L522 ld a,_SPIDR ld _SPI_Interrupt\$L-1,a clr _PBDR L332: btjf _SPISR,#7,L332 ld a,_SPIDR ld _SPI_Interrupt\$L-2,a ld a,#255 ld _PBDR,a ired L522: ld a,#196 ld _SPICR,a ired </pre>

The time to be measured is the time taken by the “LD a,SPIDR” instruction (Ax in Figure 7.). The point we can measure is the transition when the port pin goes low (Bx in Figure 7.). The time between both is the time needed by “ld _SPI_Interrupt\$L-1,a” and “clr PBDR”, which is $4c_y + 5c_y = 1,125\mu s$. So to Ax is $1,125\mu s$ before Bx.

The measurement shows that Ax is always before the deadline. This proves that the 8-bit SPI can be used to receive 16-bit SPI messages at speeds up to 2MBaud.

Figure 7. Read time measurement



USING THE ST7 SPI TO EMULATE A 16-BIT SLAVE

“THE PRESENT NOTE WHICH IS FOR GUIDANCE ONLY AIMS AT PROVIDING CUSTOMERS WITH INFORMATION REGARDING THEIR PRODUCTS IN ORDER FOR THEM TO SAVE TIME. AS A RESULT, STMICROELECTRONICS SHALL NOT BE HELD LIABLE FOR ANY DIRECT, INDIRECT OR CONSEQUENTIAL DAMAGES WITH RESPECT TO ANY CLAIMS ARISING FROM THE CONTENT OF SUCH A NOTE AND/OR THE USE MADE BY CUSTOMERS OF THE INFORMATION CONTAINED HEREIN IN CONNEXION WITH THEIR PRODUCTS.”

Information furnished is believed to be accurate and reliable. However, STMicroelectronics assumes no responsibility for the consequences of use of such information nor for any infringement of patents or other rights of third parties which may result from its use. No license is granted by implication or otherwise under any patent or patent rights of STMicroelectronics. Specifications mentioned in this publication are subject to change without notice. This publication supersedes and replaces all information previously supplied. STMicroelectronics products are not authorized for use as critical components in life support devices or systems without the express written approval of STMicroelectronics.

The ST logo is a registered trademark of STMicroelectronics

©2001 STMicroelectronics - All Rights Reserved.

Purchase of I²C Components by STMicroelectronics conveys a license under the Philips I²C Patent. Rights to use these components in an I²C system is granted provided that the system conforms to the I²C Standard Specification as defined by Philips.

STMicroelectronics Group of Companies

Australia - Brazil - Canada - China - Finland - France - Germany - Hong Kong - India - Israel - Italy - Japan
Malaysia - Malta - Morocco - Singapore - Spain - Sweden - Switzerland - United Kingdom - U.S.A.

<http://www.st.com>



LittleDiode supplies new, hard to find or obsolete electronic components and semiconductors all over the world.

With over two million different components listed you are sure to find the part you need.

Feel free to visit us today at our online store:

LittleDiode.com

Looking forward to providing you with the best possible service.