

Interfacing the X9408/X9418 XDCP to 8051 Microcontrollers

by Applications Staff,

This application note describes the routines for the control of an X9408 or X9418 digitally controllable potentiometer. The X9408/X9418 devices have a variety of different instructions that provide flexibility to the designer. Additionally, the nonvolatile nature of the device allows for stored wiper positions that can be retrieved after power cycles.

The following code implements all of the available X9408/X9418 instructions using a standard bi-directional bus protocol. Although the subroutines occupy about 300 bytes of program memory, designers who won't need to implement all of the instructions can shorten the code by removing any unnecessary routines. However, this will necessitate the reassembly of the code.

For those instructions which program the nonvolatile data registers (XFR_WCR, GXFR_WCR, & WRITE_DR), acknowledge polling has been implemented to determine an early completion of the internal write cycle. Although this is automatically handled by the routines, a word or two regarding the procedure should be informative. After issuing a start condition, the master sends a slave address and receives an acknowledge. It then issues an instruction byte to the X9408/X9418 and again receives an acknowledge. If necessary, it now transmits the data byte and receives a final acknowledge. The master must then initiate a stop condition which will cause the X9408/X9418 to begin an internal write cycle. The X9408/X9418 pins go to high impedance until this internal cycle is complete. The

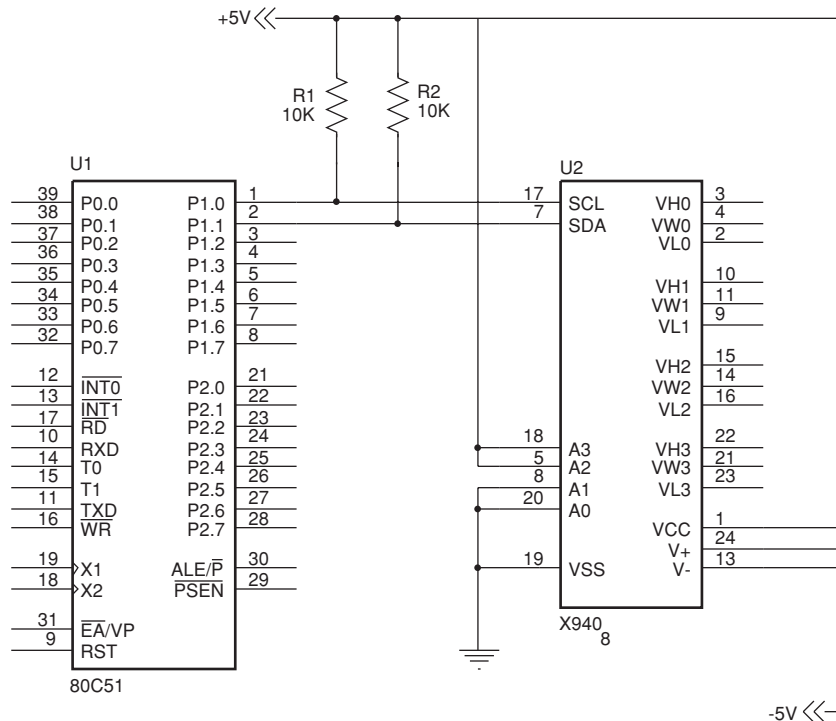


Figure 1. Connecting the X9408 to an 80C51 microcontroller

master can now begin acknowledge polling by successively sending start conditions followed by "dummy" instructions. When the X9408/X9418 finally answers with an acknowledge, the internal write cycle has been completed. The master must then initiate a stop condition. After the next start condition, the X9408/X9418 is ready to receive further instructions.

In the code listing, an assumption was made that the code executes upon a reset of the microcontroller. That is, the code is loaded into low memory, however this can be changed with an ORG assembler directive. Simple MAIN program routines are included in the code listing. These can be modified for different device addresses, different registers and different DCPs within the device.

In this listing, the commands cause an X9408/X9418 (at A3A2A1A0 = 1100 to be accessed.) The listing also includes some instructions that are specific to the Cygnal 80C51 processor. These should be examined and modified, as needed, for the specific 80C51 in the system. The commands issued in the "Main" section of the code are simple assignment and call sequences.

In Figure 1, a representative hardware connection between the X9408 and an 8051 family microcontroller is shown. The pull-up resistors on the SDA and SCL lines are determined by the total capacitance of all of the devices connected to the bus, which is about 18pF.

80C51 MICROCONTROLLER ROUTINES FOR MANIPULATING AN X9408

```

;-----
;
; 80C51 MICROCONTROLLER ROUTINES FOR MANIPULATING AN X9408
;           QUAD EEPOT
;
;           (C) XICOR INC. 2002
;
;                               CEM
;
;   FILE NAME   : X9408 8051.TXT
;   TARGET MCU  : Cygnal C8051F000
;   DESCRIPTION:
;
; This code provides basic 80C51 code for communicating with and
; controlling the X9408 quad digital potentiometer. In this listing
; is code that implements all of the available X9408 instructions.
; The X9408 communicates via a 2-wire bus that is similar, but a little
; different from the I2C bus. This code is very generic and can be
; simplified and shortened by removing any unnecessary routines.
;
; For those instructions which program the nonvolatile data registers
; (XFR_WCR, GFXR_WCR, and WRITE_DR) this program provides acknowledge
; polling to determine early completion of the internal write cycle.
; Although this is handled automatically by the routines, some background
; might be helpful.
;
; After issuing a start condition, the master sends a slave address
; and receives and acknowledge (ACK). The master then sends an instruction
; byte to the X9408 and again receives an ACK. If necessary, the master sends
; a data byte and receives a final ACK. The master then initiates a stop
; condition to signal the X9408 to begin an internal nonvolatile write
; cycle. When the write cycle begins, the I/O pins go to a high impedance state
; and remain in this state until the nonvolatile write is complete.
;
; Immediately following the stop condition, the master can begin acknowledge
; polling by successively sending start conditions, followed by "dummy"
; instructions. When the X9408 finally answers with an acknowledge, the
; internal write cycle is completed. The master then issues a stop
; condition. After the next start condition, the X9408 is ready to receive
; further instructions.
;

```



Application Note

AN 114

```
; This code give the flexibility to communicate with up to 16 different X9408
; devices on the same bus. It does this by using a register, named "ADDR_BYTE".
; This register is loaded with the specific slave address and address of the
; desired X9408 device. The register can be saved if there is only one X9408
; on the bus, by making ADDR_BYTE a constant.
;
; An 80C51 register is used to identify the particular X9408 register or DCP, or both,
; are used for a particular operation. There are various constants available for
; easy selection of the WCR and DR combination. The contents of the register
; is appended to the specific instruction in the "instr_gen" routine.
;
; A register is used as a counter for keeping track of the number of bits sent
; in each byte.

; A register is used for the increment/decrement instruction to specify up or
; down movement of the wiper. For each command, the master loads the "PULSES"
; register with a direction bit and 6 bits of count. If the MSB is a 1
; the wiper increments the specified number of tap positions. If the MSB
; is a 0 the wiper decrements the specified number of tap positions.
;
; A register is used to hold the specific command being executed. This allows
; the instruction to be built up and sent to the X9408.
;
; In the MAIN section are sample main code segments showing how to use the
; various subroutines.
;
; This code was tested on a Cygnal 80C51 microcontroller, using the Cygnal
; tools. The specific routines required to set up the Cygnal processor
; are identified and are probably not needed for other standard 8051 devices.
; Since each 8051 may have specific requirements that are not handled in this
; code, the programmer is advised to check the setup needs of the specific
; 80C51 derivation that is being used.
;
;-----
; I/O Definition
;-----

SCL          bit    p1.0  ; 80C51 pin used AS SCL
SDA          bit    p1.1  ; 80C51 pin used AS SDA

;-----
; Register Definition
;-----

#include (c8051f000.inc); Include register definition file (Cygnal).

TEMP        equ    r1     ; Scratch register
COUNT      equ    r2     ; Loop counting register
PULSES      equ    r3     ; Bits -> DIR 0 ##### (#=pulses = 0 to 64)
COMMAND     equ    r4     ; Instruction (I.E. 0,4,8,12,16,...)
ID          equ    r5     ; Bits -> 0 0 0 0 R1 R0 P1 P0
ADDR_BYTE   equ    r6     ; Bits -> 0 1 0 1 A3 A2 A1 A0
DATA_BYTE   equ    r7     ; Bits -> CM DW D5 D4 D3 D2 D1 D0

;-----
; Constant Definition
;-----

SLAVE_ADR0  equ    050h
SLAVE_ADR1  equ    051h
SLAVE_ADR2  equ    052h
SLAVE_ADR3  equ    053h
SLAVE_ADR4  equ    054h
SLAVE_ADR5  equ    055h
SLAVE_ADR6  equ    056h
```



Application Note

AN 114

```
SLAVE_ADR7    equ    057h
SLAVE_ADR8    equ    058h
SLAVE_ADR9    equ    059h
SLAVE_ADR10   equ    05Ah
SLAVE_ADR11   equ    05Bh
SLAVE_ADR12   equ    05Ch
SLAVE_ADR13   equ    05Dh
SLAVE_ADR14   equ    05Eh
SLAVE_ADR15   equ    05Fh
;
WCR_0         equ    00h
WCR_1         equ    01h
WCR_2         equ    02h
WCR_3         equ    03h
;
DR_0          equ    00h
DR_1          equ    04h
DR_2          equ    08h
DR_3          equ    0Ch
;
DCP0_R0      equ    00h
DCP0_R1      equ    04h
DCP0_R2      equ    08h
DCP0_R3      equ    0Ch
;
DCP1_R0      equ    01h
DCP1_R1      equ    05h
DCP1_R2      equ    09h
DCP1_R3      equ    0Dh
;
DCP2_R0      equ    02h
DCP2_R1      equ    06h
DCP2_R2      equ    0Ah
DCP2_R3      equ    0Eh
;
DCP3_R0      equ    03h
DCP3_R1      equ    07h
DCP3_R2      equ    0Bh
DCP3_R3      equ    0Fh
;
READWCR      equ    0
WRITEWCR     equ    4
READDR       equ    8
WRITEDR      equ    12
XFRDR        equ    16
XFRWCR       equ    20
GXFRDR       equ    24
GXFRWCR      equ    28
INCDECWIPER  equ    32

;-----
; INTERNAL RAM
;-----

STACK_TOP    equ    060H    ; Stack top

;-----
; RESET and INTERRUPT VECTORS
;-----

        cseg AT 0
        ljmp main          ; Locate a jump to the start of code at
```



Application Note

AN 114

```
-----  
; CODE SEGMENT  
-----  
  
Code_Seg segment CODE  
  
    rseg      Code_Seg      ; Switch to this code segment.  
    using     Code_Seg      ; Specify register bank for the following  
                                program code.  
  
-----  
; NAME: execute  
; FUNCTION: Determines which X9408 instruction is issued,  
;           then executes  
; INPUTS: COMMAND  
; OUTPUTS: none  
; CALLS: read_wcr, read_dr, write_wcr, write_dr, xfr_dr,  
;         xfr_wcr, gxfr_dr, gxfr_wcr, inc_wiper  
; AFFECTED: DPTR, A  
;-----  
  
execute:  
    mov     dptr,#first      ; Get Base Address  
    mov     a,COMMAND        ; Jump Offset  
    jmp     @a+dptr          ; Jump to instruction handler  
  
first:  
    call    read_wcr         ; COMMAND #0  
    ret  
    call    write_wcr        ; COMMAND #4  
    ret  
    call    read_dr          ; COMMAND #8  
    ret  
    call    write_dr         ; COMMAND #12  
    ret  
    call    xfr_dr           ; COMMAND #16  
    ret  
    call    xfr_wcr          ; COMMAND #20  
    ret  
    call    gxfr_dr          ; COMMAND #24  
    ret  
    call    gxfr_wcr         ; COMMAND #28  
    ret  
    call    inc_wiper        ; COMMAND #32  
    ret  
  
-----  
; The following routines handle each X9408 instruction.  
; These are called by the "execute" routine.  
;-----  
; read_wcr Reads a WCR and returns its value in DATA_BYTE  
; write_wcr Writes the value in DATA_BYTE to a WCR  
; read_dr Reads a Data Register and returns its value in DATA_BYTE  
; write_dr Writes the value in DATA_BYTE to a data register  
; xfr_dr Transfers the value in a data register to its WCR  
; xfr_wcr Transfers the value in a WCR to one of its data registers  
; gxfr_dr Global transfer of data registers to WCRs  
; gxfr_wcr Global transfer of WCRs to Data Registers  
; inc_wiper Single Step Increment/Decrement of wiper position for WCR  
;-----
```



Application Note

AN 114

```
; FUNCTION: Appends bits R1, R0, P1, P0 to the appropriate
;           Instruction code and passes the instruction byte to the
;           Instruction Generator.
; INPUTS: ID
; OUTPUTS: NONE
; CALLS: instr_gen
; AFFECTED: ID,A,DPTR
;
;-----
```

read_wcr:

```
    mov    a,ID           ; Get bits x x P1 P0
    orl    a,#090h       ; Append to read WCR instruction code
    mov    ID,a          ; Save the result
    mov    dptr,#case1   ; Jump to the base addr for this instruciton
    call   instr_gen
    ret
```

write_wcr:

```
    mov    a,ID           ; Get bits x x P1 P0
    orl    a,#0A0h       ; Append to Write WCR instruction code
    mov    ID,a          ; Save the result
    mov    dptr,#case2   ; Jump to the base addr for this instruction
    call   instr_gen
    ret
```

read_dr:

```
    mov    a,ID           ; Get bits R1 R0 P1 P0
    orl    a,#0B0h       ; Append to Read DR instruction code
    mov    ID,a          ; Save the result
    mov    dptr,#case1   ; Jump to the base addr for this instruction
    call   instr_gen
    ret
```

write_dr:

```
    mov    a,ID           ; Get bits R1 R0 P1 P0
    orl    a,#0C0h       ; Append to Write DR instruction code
    mov    ID, a         ; Save the result
    mov    dptr,#case3   ; Jump to the base addr for this instruction
    call   instr_gen
    ret
```

xfr_dr:

```
    mov    a,ID           ; Get bits R1 R0 P1 P0
    orl    a,#0D0h       ; Append to the XFR DR instruction code
    mov    ID, a         ; Save the result
    mov    dptr,#case4   ; Jump to the addr for this instruction
    call   instr_gen
    ret
```

xfr_wcr:

```
    mov    a,ID           ; Get bits R1 R0 P1 P0
    orl    a,#0E0h       ; Append to the XFR WCR instruction code
    mov    ID, a         ; Save the result
    mov    dptr,#case5   ; Jump to the addr for this instruction
    call   instr_gen
    ret
```

gxfr_dr:

```
    mov    a,ID           ; Get bits R1 R0 x x
    orl    a,#010h       ; Append to the GXFR DR instruction code
    mov    ID, a         ; Save the result
    mov    dptr,#case4   ; Jump to the addr for this instruction
    call   instr_gen
    ret
```



Application Note

AN 114

```
gxfr_wcr:
  mov   a,ID           ; Get bits R1 R0 x x
  orl   a,#080h       ; Append to the GXFR WCR instruction code
  mov   ID,a           ; Save the result
  mov   dptr,#case5   ; Jump to the addr for this instruction
  call  instr_gen
  ret

inc_wiper:
  mov   a,ID           ; Get bits x x P1 P0
  orl   a,#020h       ; Append to the Incr Wiper instruction code
  mov   ID,a           ; Save the result
  mov   dptr,#case6   ; Jump to the addr for this instruction
  call  instr_gen
  ret

;-----
;
; NAME: instr_gen (Instruction generator)
; FUNCTION: Issues appropriate I2C protocol for each X9408 instruction
; INPUTS: ADDR_BYTE, ID, PULSES, DPTR, DATA_BYTE
; OUTPUTS: DATA_BYTE
; CALLS: start_cond, stop_cond, send_byte, send_bit, get_byte, polling
; AFFECTED: DATA_BYTE, A, COUNT
;
;-----

instr_gen:
  call  start_cond    ; Issue an I2C start condition
  mov   a,ADDR_BYTE   ; Send X9408 slave/address byte
  call  send_byte
  jc    stop_gen      ; if NACK, end...
  mov   a,ID           ; Send X9408 instruction byte
  call  send_byte
  jc    stop_gen      ; if NACK, end...
  clr   a             ; Reset offset before jump
  jmp   @a +dptr      ; Jump to various instruction cases

case6:
  mov   a,PULSES       ; A <- Bits DIR X D5 D4 D3 D2 D1 D0
  anl   a,#00111111b  ; A <- Bits 0 0 D5 D4 D3 D2 D1 D0
  mov   COUNT,a       ; Save as the number of pulses
  mov   a,PULSES
  anl   a,#10000000b  ; A <- Bits DIR 0 0 0 0 0 0 0

wiper_lp:
  call  send_bit       ; Send the bit (a single pulse)
  djnz COUNT,wiper_lp ; Continue until all pulses are sent

case4:
  jmp   stop_gen       ; If program gets here, then it is done

case2:
  mov   a,DATA_BYTE   ; Send X9408 data byte
  call  send_byte
  jmp   stop_gen

case1:
  call  get_byte       ; Receive X9408 Data Byte
  jmp   stop_gen

case3:
  mov   a,DATA_BYTE   ; Send X9408 Data Byte
  call  send_byte
```



Application Note

AN 114

```
    call    stop_cond    ; Issue a stop condition
    call    polling      ; Begin Acknowledge Polling
    jmp     stop_gen

case5:
    call    stop_cond    ; Issue a stop condition
    call    polling      ; Begin Acknowledge Polling

stop_gen:
    call    stop_cond    ; I2C Transmission Over!
    ret

;-----
;
; NAME: send_byte
; FUNCTION: Sends 8 bits (from MSB to LSB) to SDA and reads 1 bit from SDA
; INPUTS: A
; OUTPUTS: NONE
; CALLS: send_bit, get_bit
; AFFECTED: COUNT, TEMP, A
;-----

send_byte:
    mov     COUNT,#8     ; Set loop for 8 repetitions
    mov     TEMP,a       ; store as shifted byte (no shift)

bit_loop:
    mov     a,TEMP       ; Retrieve last saved shifted byte
    anl    a,#10000000b ; Mask for MSB (Most Significant Bit)
    call    send_bit     ; Place this bit on SDA

next_bit:
    mov     a,TEMP       ; Retrieve last saved shifted byte
    rl     a             ; Rotate all bits 1 position left
    mov     TEMP,a       ; Store this updated shifted byte
    djnz   COUNT,bit_loop
    setb   SDA          ; let SDA go high after 8th bit
    call   clock        ; When all 8 bits done, read SDA line
                    ; (ACKnowledge pulse)
    ret

;-----
;
; NAME: send_bit
; FUNCTION: Places a bit on SDA and initiates a clock pulse on SCL
; INPUTS: A
; OUTPUTS: NONE
; CALLS: clock
; AFFECTED: SDA
;-----

send_bit:
    clr    SDA          ; Pull SDA Low
    jz     sent_zero    ; Should SDA really be LOW?
    setb   SDA          ; If Not, pull SDA HIGH

sent_zero:
    call   clock        ; Initiate a clock pulse
    ret

;-----
;
```



Application Note

AN 114

```
; NAME: clock
; FUNCTION: Issues a LOW-HIGH-LOW clock pulse of sufficient duration
;           & reads SDA during the high phase, just in case its needed
; INPUTS: NONE
; OUTPUTS: C
; CALLS: NONE
; AFFECTED: SCL, C
;
```

```
-----
clock:
    nop                ; Let SDA Set-up
    setb   SCL         ; Pull SCL HIGH and hold
    nop
    nop
    mov    c,SDA       ; Move SDA bit into carry flag
    clr   SCL         ; Pull SCL LOW
    ret

```

```
-----
;
; NAME: get_byte
; FUNCTION: Receives 8 bits from SDA (MSB to LSB) and sends 1 bit to SDA
; INPUTS: NONE
; OUTPUTS: DATA_BYTE
; CALLS: clock, send_bit
; AFFECTED: COUNT, SDA, A, DATA_BYTE
;
```

```
-----
get_byte:
    setb   SDA         ; Receiver shouldn't drive SDA low
    mov    COUNT,#8   ; Set Loop count to 8 repetitions

```

```
get_loop:
    call   clock       ; Clock in the current bit
    rlc   a            ; Reconstruct byte using left shifts
    djnz  COUNT,get_loop
    mov   DATA_BYTE,a ; Store retrieved Byte for user
    clr  a            ; A <- LOW (Sending a 0)
    call  send_bit    ; Send an acknowledge
    ret

```

```
-----
;
; NAME: start_cond (Start Condition)
; FUNCTION: Issues an I2C bus start condition
; INPUTS: NONE
; OUTPUTS: NONE
; CALLS: NONE
; AFFECTED: SDA, SCL
;
```

```
-----
start_cond:
    setb   SDA         ; Pull SDA HIGH and allow set-up
    setb   SCL         ; Pull SCL HIGH and hold
    nop
    nop
    nop
    nop
    clr   SDA         ; Pull SDA LOW (SCL=HIGH) and hold
    nop
    nop
    nop
    nop

```



Application Note

AN 114

```
        clr    SCL          ;Complete clock pulse
        ret

;-----
;
; NAME: stop_cond (Stop condition)
; FUNCTION: Issues an I2C bus stop condition
; INPUTS: NONE
; OUTPUTS: NONE
; CALLS: NONE
; AFFECTED: SDA, SCL
;
;-----

stop_cond:
        clr    SDA          ; Pull SDA LOW and hold
        setb   SCL          ; Pull SCL HIGH and hold
        nop
        nop
        nop
        setb   SDA          ; Pull SDA HIGH (SCL=HIGH)
        ret

;-----
;
; NAME: ack_send (Send Acknowledge)
; FUNCTION: Sends an acknowledge bit to complete SDA line data reads
; INPUTS: NONE
; OUTPUTS: NONE
; CALLS: send_bit
; AFFECTED: A
;
;-----

ack_send:
        clr    a            ; A <- LOW (Sending a 0)
        call   SEND_BIT    ; Send the bit!
        ret

;-----
;
; NAME: polling (Acknowledge polling for XFR_WCR, WRITE_DR, GXFR_WCR)
; FUNCTION: Sends dummy commands to X9408 during an internal write cycle
;          so that the end of the cycle is marked by an acknowledge
; INPUTS: ADDR_BYTE
; OUTPUTS: NONE
; CALLS: start_cond, send_byte
; AFFECTED: C
;
;-----

polling:
        call   START_COND  ; Re-establish I2C protocol
        mov    a,ADDR_BYTE ; Attempt to send a dummy command

again:
        call   SEND_BYTE   ; If C=1, then there was no ACK
        jc    POLLING
        ret
```



Application Note

AN 114

```
-----  
;  
;  
; PUT MAIN PROGRAM HERE...  
;  
; Below are sample main programs calling the various command routines  
;  
-----
```

main:

```
    mov    SP, #STACK_TOP; Initialize stack pointer
```

```
-----  
;  
;  
; The following section is required for the Cygnal processor. This could  
; change for different versions of the 80C51.  
;  
; Disable the WDT. (IRQs not enabled at this point.)  
; If interrupts were enabled, they would need to be explicitly disabled  
; so that the 2nd move to WDTCN occurs no more than four clock  
; cycles after the first move to WDTCN.
```

```
    clr    EA            ; Disable interrupts  
  
    mov    WDTCN, #0DEh; Cygnal processor specific  
    mov    WDTCN, #0ADh; Cygnal processor specific
```

```
; Enable the Port I/O Crossbar
```

```
    mov    XBR2, #40h    ; Cygnal processor specific (enable weak pull ups)  
  
    mov    PRT1CF, #00h ; Cygnal processor specific  
                    ; Set no ports as push-pull (this processor  
                    ; operates from 3.3V, but the X9408 operates from  
                    ; 5V, so the 8051 outputs must be pulled up to 5V  
                    ; with external resistors.)
```

```
-----  
;  
;  
; The following are sample code segments for use in the main program...  
; The potentiometer was A0-A3 pins were set to address 0Ch.  
;  
-----
```

write_2_wcr:

```
    mov    ADDR_BYTE, #SLAVE_ADR12; Load Slave address byte  
    mov    ID, #WCR_2    ; Specify WCR for DCP#2  
    mov    COMMAND, #WRITEWCR; Write to WCR  
    mov    DATA_BYTE, #43; Set wiper position to tap 43  
    call   execute
```

read_from_wcr:

```
    mov    ADDR_BYTE, #SLAVE_ADR12; Load Slave address byte  
    mov    ID, #WCR_2    ; Specify WCR for DCP#2  
    mov    COMMAND, #READWCR; Read WCR  
    call   execute      ; WCR value is in DATA_BYTE
```

write_2_dr:

```
    mov    ADDR_BYTE, #SLAVE_ADR12; Load Slave address byte  
    mov    ID, #DCP2_R1; Specify DR#1 for DCP#2  
    mov    COMMAND, #WRITEDR; Write to DR  
    mov    DATA_BYTE, #21; Set data value to 21  
    call   execute
```



Application Note

AN 114

```
read_from_dr:
  mov  ADDR_BYTE, #SLAVE_ADR12; Load Slave address byte
  mov  ID, #DCP2_R1; Specify DR#1 for DCP#2
  mov  COMMAND, #READDR; Read DR
  call execute          ; DR value is in DATA_BYTE

mov_dr_2_wcr:
  mov  ADDR_BYTE, #SLAVE_ADR12; Load Slave address byte
  mov  ID, #DCP2_R1; Specify DR#1 to WCR of DCP#2
  mov  COMMAND, #XFRDR; Transfer DR to WCR
  call execute

mov_wcr_2_dr:
  mov  ADDR_BYTE, #SLAVE_ADR12; Load Slave address byte
  mov  ID, #DCP2_R1; Specify WCR to DR#1 of DCP#2
  mov  COMMAND, #XFRWCR; Transfer WCRto DR
  call execute

global_dr_2_wcr:
  mov  ADDR_BYTE, #SLAVE_ADR12; Load Slave address byte
  mov  ID, #DR_1      ; Specify DR#1 to WCR
  mov  COMMAND, #GXFRDR; Transfer DR to WCR
  call execute

global_wcr_2_dr:
  mov  ADDR_BYTE, #SLAVE_ADR12; Load Slave address byte
  mov  ID, #DR_1      ; Specify WCR to DR#1 of DCP#2
  mov  COMMAND, #GXFRWCR; Transfer WCRto DR
  call execute

decr_wiper:
  mov  ADDR_BYTE, #SLAVE_ADR12; Load Slave address byte
  mov  ID, #WCR_2     ; Select DCP#2
  mov  PULSES, #0Fh; Decrement DCP#2 for 16 pulses
  mov  COMMAND, #INCDECWIPER; INC wiper
  call execute

incr_wiper:
  mov  ADDR_BYTE, #SLAVE_ADR12; Load Slave address byte
  mov  ID, #WCR_2     ; Select DCP#2
  mov  PULSES, #8Fh; Increment DCP#2 for 16 pulses
  mov  COMMAND, #INCDECWIPER; DEC wiper
  call execute

END
```



LittleDiode supplies new, hard to find or obsolete electronic components and semiconductors all over the world.

With over two million different components listed you are sure to find the part you need.

Feel free to visit us today at our online store:

LittleDiode.com

Looking forward to providing you with the best possible service.