



ST9+ EXTERNAL MEMORY INTERFACE CONFIGURATION

by Microcontroller Division Applications

1 INTRODUCTION

This application note presents the different ST9+ resources for configuring and initializing its external memory interface.

The ST9+ has a single 4 Mbyte memory space segmented in 64 segments of 64 Kbytes, plus an independent register file space. The memory space contains internal memories (internal ROM and RAM with predefined addresses) and you can map your external memories (at the addresses in any segments not used for internal memories). Please refer to the MMU chapter of the ST9+ datasheet for more information on the way this memory space is addressed.

The ST9+ external memory access cycle is composed of 2 clock phases (cf. Figure 1):

- Phase T1: the memory address is output through the ST9+ EMI (External Memory Interface).
- Phase T2: if the memory access is a Read cycle, the data signals are sampled by the ST9+. If the memory access is a Write cycle, the ST9+ outputs data to be written in external memory.

The different signals provided and used by the EMI are described in Section 2 of this application note, and their configuration is explained in Section 3. A software example of the ST9+ EMI configuration is given in the Section 4.

2 SIGNAL DESCRIPTION

The External Memory Interface for the ST9+ microcontroller exists in two models: a small model that allows you to address a maximum of 64 Kbytes of external memory and the large model which can address the full ST9+ memory space (4 Mbytes).

2.1 SMALL MEMORY MODEL

In this model, the ST9+ is limited to a maximum of 64 Kbytes of directly addressable external memory. It is due to the fact that you can only output 16-bit addresses, which corresponds to a 64 Kbyte external memory space.

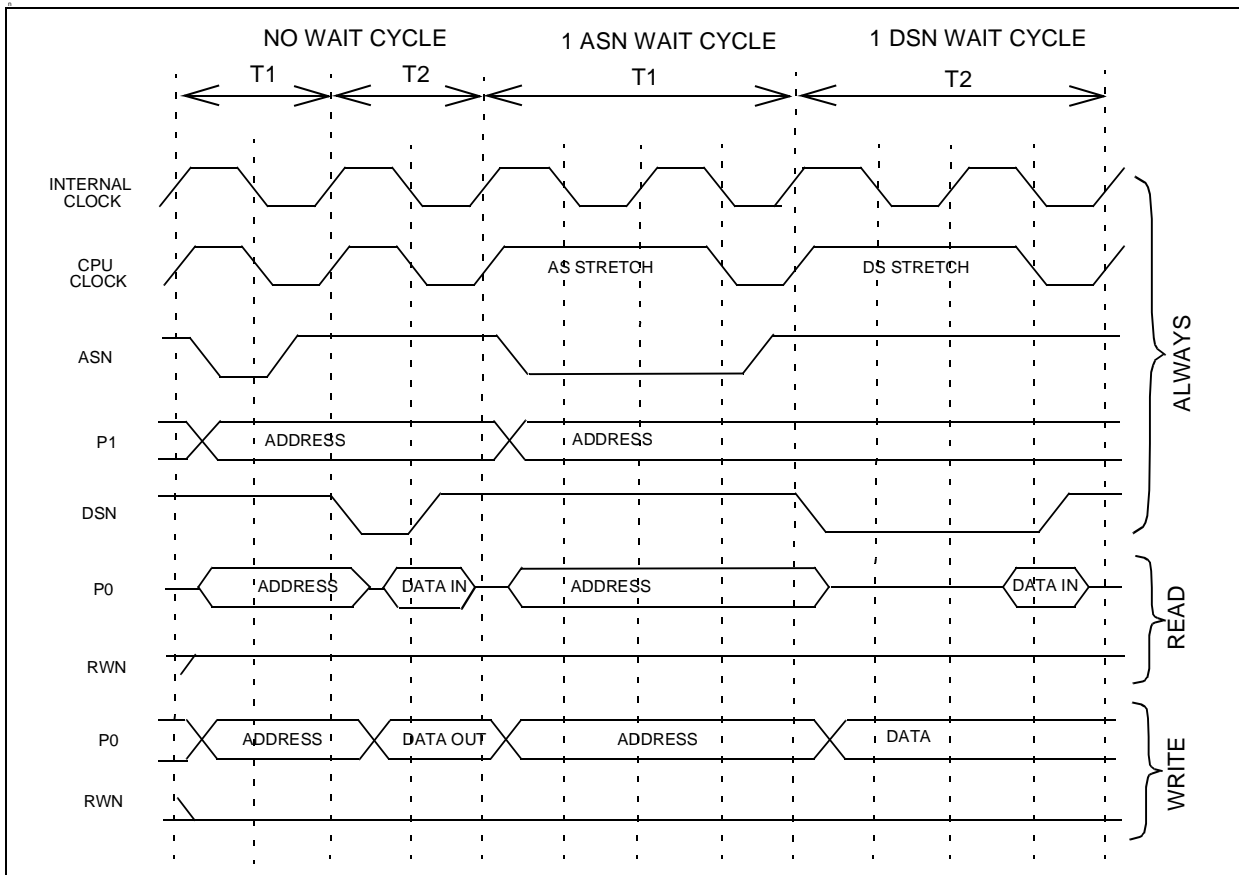
ST9+ EXTERNAL MEMORY INTERFACE CONFIGURATION

The signals used in the small memory model interface are the following:

- I/O Port 0 (8 pins): outputs the LSB of the address (A[0..7]) multiplexed with the 8 bits of data (D[0..7]).
- I/O Port 1 (8 pins): outputs the MSB of the address (A[8..15]).
- Address Strobe ASn: is active during clock phase T1. An ASn rising edge indicates that the memory address and control signals are valid.
- Data Strobe DSn: is active during clock phase T2. During an external memory read cycle, the data on Port 0 must be valid before the rising edge of DSn. During an external memory write cycle, the data on Port 0 are output on the falling edge of DSn and they are valid on the rising edge of DSn.
- Read/Write RWn: identifies the type of memory cycle. RWn=1 identifies a Read cycle and RWn=0 identifies a Write cycle.

If you want to access more than 64 Kbytes of memory with this interface, you will have to use some I/O pins as chip select signals for your external memories and handle the management of these pins by software.

Figure 1. External memory Read/Write with and without a programmable wait



2.2 LARGE MEMORY MODEL

In this model, you can address all the ST9+ memory space (4Mbytes), using a 22-bit address bus output on the ST9+ ports.

The signals used in the large memory model interface are the following:

- I/O Port 0 (8 pins): same function as small memory model (A[0..7]/D[0..7]).
- I/O Port 1 (8 pins): same function as small memory model (A[8..15]).
- I/O Port 2 (6 pins): outputs the MMU bits of the address (A[16..21]).
- I/O Port 6 (8 pins): if the non-multiplexed bus option is chosen (refer to Section 3.2), it outputs the LSB of the address (A[0..7]). In this case, Port 0 only outputs the 8 bits of data (D[0..7]).
- Address Strobe ASn: same function as small memory model.
- Data Strobe DSn: same function as small memory model.
- Data Strobe 2 DS2n: if enabled, this pin can be used as a second Data Strobe. In this case, DSn addresses the external upper memory block while DS2n addresses the external lower memory block. The upper memory is located at addresses >200000h (A21=1, typically RAM), and the lower memory is located at addresses <200000h (A21=0, typically ROM).
- Read/Write RWn: same function as small memory model.

3 EXTERNAL MEMORY INTERFACE CONFIGURATION

The external memory interface configuration consists of port configuration, mode configuration, timing configuration, and MMU (Memory Management Unit) configuration. These different types of initialization are presented in the following paragraphs.

Figure 2 shows the mapping of the different registers which are referred to in this chapter.

Figure 2. Register Map

	GROUP E			GROUP F PAGE 21		GROUP F PAGE 2		GROUP F PAGE 3		
				FFh		Reserved		P7DR		R255
				FEh		P3C2		P7C2		R254
				FDh		P3C1		P7C1		R253
				FCh		P3C0		P7C0		R252
E5h	MODER	R235		FBh		Reserved		P6DR		R251
				FAh		P2C2		P6C2		R250
				F9h	DMASR	P2C1		P6C1		R249
				F8h	ISR	P2C0		P6C0		R248
				F7h		Reserved		Reserved		R247
				F6h	EMR2	P1C2		P5C2		R246
E5h	P5DR	R229		F5h	EMR1	P1C1		P5C1		R245
E4h	P4DR	R228		F4h	CSR	P1C0		P5C0		R244
E3h	P3DR	R227		F3h	DPR3	Reserved		Reserved		R243
E2h	P2DR	R226		F2h	DPR2	P0C2		P4C2		R242
E1h	P1DR	R225		F1h	DPR1	P0C1		P4C1		R241
E0h	P0DR	R224		F0h	DPR0	P0C0		P4C0		R240

Moreover, the WCR register is mapped to R252 (FCh) in register page 0 in Group F. The register map described above is the default setting. If the DPRREM bit in the EMR1 register is set, the mapping of registers P0DR, P1DR, P2DR, and P3DR is exchanged with that of DPR0, DPR1, DPR2, and DPR3.

3.1 PORT CONFIGURATION

The different ports used to interface with the external memory must be configured as Alternate Function Output Push-Pull. This concerns Ports 0,1 and optionally Ports 2 and 6 for the large memory model.

This configuration is done by writing the following values in the three I/O port configuration registers:

- PxC2 = 00h
- PxC1 = FFh
- PxC0 = FFh

(where x is the number of the corresponding I/O port).

After Reset, if your microcontroller is a Romless version, this configuration will be the default one. In this case, the microcontroller must directly address external memory just after the Reset, as there is no internal memory.

For other microcontroller versions (not Romless), the Reset configuration for the I/O ports is usually 'Bidirectional Open-Drain Weak Pull-up' (refer to your device datasheet for special I/O Ports Reset configuration). In this case, you have to initialize the three I/O port configuration registers by software as shown above, before being able to address external memory.

You also have to configure the other external memory interface signals. For example, to configure the RWn signal for the ST90158 microcontroller, you must select the 'Alternate Function Push-Pull' for the P6.5 pin.

3.2 MODE CONFIGURATION

The various modes of the external memory interface are configured through the bits of the EMR1 and MODER control registers.

■ EMR1 register:

- Mode Control (MC bit 6): by setting this bit, the Intel mode is used for the external memory interface. In this mode, the ASn pin becomes ALE (Address Load Enable), which corresponds to ASn inverted. The DSn pin becomes OEN (Output Enable), which behaves like DSn during a Read cycle, but which is forced to 1 during Write cycles. The RWn pin becomes WEN (Write Enable), which behaves like DSn during a Write cycle, but which is forced to 1 during Read cycles.
- Buffer Size (BSZ bit 1): when this bit is 0 (default value), the external memory interface pins use smaller, less noisy output buffers. This may limit the operation frequency of the device. Typically, for an internal frequency greater than 10MHz, this bit must be set to use larger (but more noisy) buffers. Another possibility is to add some wait states to slow down the external memory interface signals (see Section 3.4).
- Data Strobe 2 Enable (DS2EN bit 5): Large Memory Model option. Setting this bit enables the second Address Strobe pin DS2n. In this case, DSn is used when the upper memory block is addressed (while DS2n is forced to 1), and DS2n is used when the lower memory block is addressed (while DSn is forced to 1).
- Non-multiplexed bus (NMB bit 3): Large Memory Model option. When this bit is zero, Port 0 outputs the multiplexed data and the LSB of the address. When this bit is 1, it is port 6 which outputs the address LSB (Port 0 is released in high impedance during this time), and Port 0 only outputs data.

■ MODER register:

- High Impedance (HIMP bit 0): setting this bit forces the external memory interface signals (Ports 0, 1, 2, 6 and ASn, DSn, RWn) into High Impedance state. This option is recommended for program phases where only internal memory is used, in order to reduce noise. This bit must be kept to zero when the external memory has to be accessed (permanently for a Romless version).

■ EMR2 register **WARNING:**

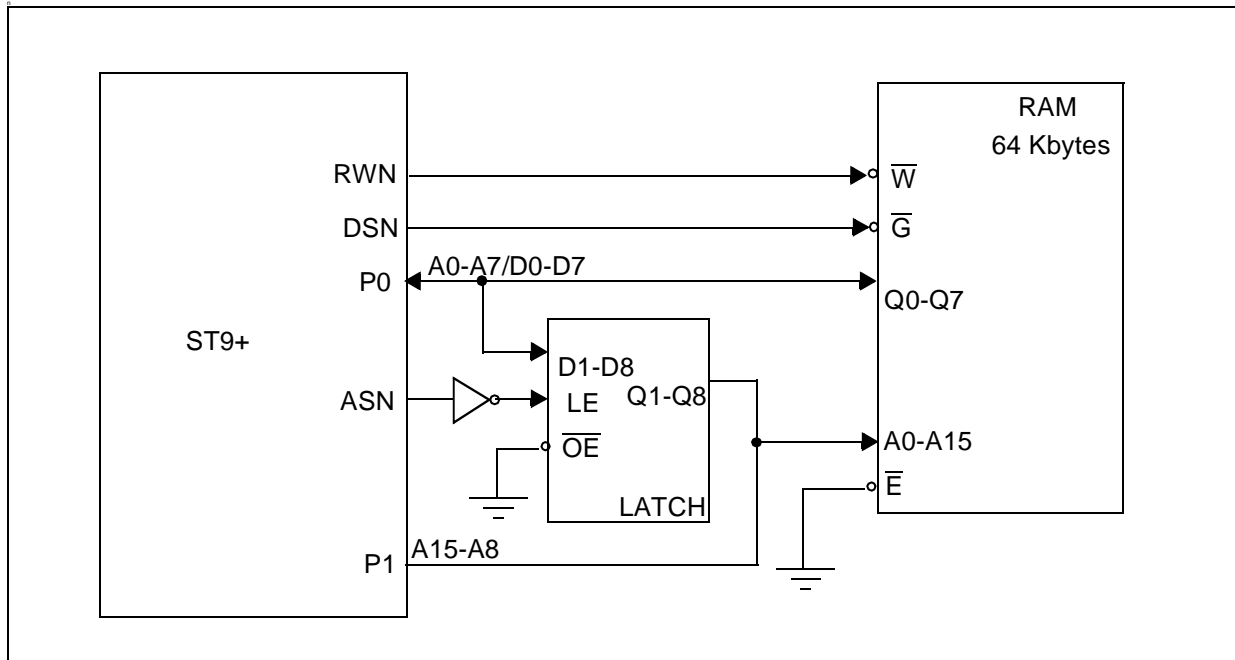
The bit 4 of the EMR2 register must be set by the user when using the external memory interface. Be very careful with this bit because the reset value is 0 in some devices.

3.3 HARDWARE IMPLEMENTATION EXAMPLES

Depending on the mode configuration (and the availability for your device), the hardware implementation can be different.

For a small memory model, you will have to use a latch connected to the multiplexed Address/Data bus. The figure below shows an example of this (Figure 3).

Figure 3. Small Memory Model Example

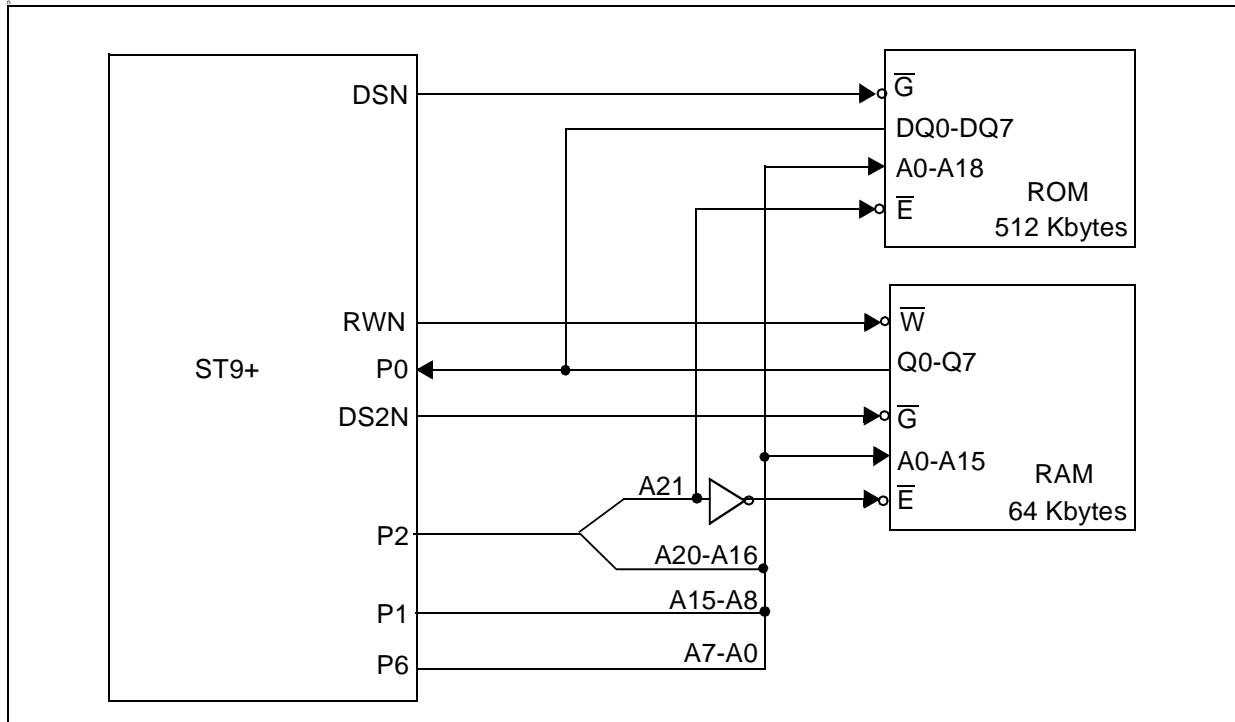


For a ST9+ microcontroller with the large External Memory Interface model, you can benefit from the possibilities of the extended mode configuration.

The following figure (Figure 4) shows an example for a Large Memory Model, where the non-multiplexed bus (NMB bit of the EMR1 register) and the second Data Strobe (DS2EN bit of the EMR1 register) options have been chosen. This allows some external hardware devices like the latch to be saved.

ST9+ EXTERNAL MEMORY INTERFACE CONFIGURATION

Figure 4. Large Memory Model Example



3.4 TIMING CONFIGURATION

All the different signals of the external memory interface are driven by the CPU clock (CPUCLK). The CPU clock is the result of the Internal clock (INTCLK) divided by a prescaler. Please refer to the RCCU (Reset and Clock Control Unit) chapter of the ST9+ datasheet for further details on the clock.

If your external memory is too slow to follow the ST9+ frequency, you can slow down the external memory interface signals in different ways:

- Reducing only the CPUCLK frequency (through the MODER register).
- Adding wait states on the AS_n and DS_n signals (through EMR2 and WCR registers).
- Adding wait cycles through the WAIT_n external pin.

■ MODER register:

The three bits PRS0, PRS1, PRS2 load the prescaler division factor for the internal clock (INTCLK which feeds the peripherals). The resulting signal is the CPU clock which drives the external memory interface signals. You can divide the frequency by a factor from 1 to 8, but this slow down will also affect all the code execution, as the CPU clock feeds the core.

■ EMR2 register:

This register contains the control bits used to add wait states on the Address Strobe AS_n signal. Two bits (LAS[1:0]) contains the number of clock cycles to add to the CPULCK to stretch AS_n during external lower memory block accesses, whereas two other bits (UAS[1:0]) have the same action for external upper memory block accesses. You can add from 0 to 3 wait states to the AS_n signal.

Refer to Figure 1 to see the effect of these wait states on the various signals.

■ WCR register:

This register contains the control bits used to add wait states on the Data Strobe DS_n signal. Three bits (LDS[2:0]) are used for the lower memory block accesses and three other bits (UDS[2:0]) are used for the upper memory block accesses. You can add from 0 to 7 wait states to the DS_n signal.

Refer to Figure 1 to see the effect of these wait states on the various signals.

■ WAIT_n external pin:

You can also add wait states using the WAIT_n external pin which indicates to the ST9+ that the external memory requires more time to complete the memory access cycle. This function is enabled if the EWEN bit of the EIVR register is set.

This pin is sampled on each rising edge of the internal clock: if WAIT_n is active (active low), one clock cycle is added to the memory cycle. On the following rising edge of the clock, WAIT_n is sampled again to continue or finish the memory cycle stretching. If WAIT_n is sampled active

ST9+ EXTERNAL MEMORY INTERFACE CONFIGURATION

during phase T1 then ASn is stretched, while if WAITn is sampled active during phase T2 then DSn is stretched.

- Tips:

- The wait cycles added on the clock always refer to the internal clock (INTCLK) and not to the CPUCLK. It means that if you choose 3 wait states for example, there will be three INTCLK clock cycles added to the CPU clock (CPUCLK). During the wait states, the CPU-CLK will remain high for the number of periods of INTCLK corresponding to the number of wait states programmed (3 in this example).
- Be careful of the reset values of the control bits in the registers EMR2 and WCR (LAS, UAS, LDS, UDS). By default, the maximum number of wait states is inserted. So, if your memory can work faster, you must remember to change the value of these bits to increase the speed of the ST9+ external memory interface.

3.5 MMU CONFIGURATION

You will also have to configure your Memory Management Unit to access your external memory. This will be exactly the same as when you configure your internal memory:

- You have to load the correct value in the MMU registers in order to point to your corresponding external memory pages or segments (DPR0, DPR1, DPR2, DPR3, CSR, ISR, DMASR registers).
- You have to add your external memory description and mapping in your scriptfile. You will optionally have to use the .bk9 sections if needed.
- Don't forget to describe your external memory also in the emulator configuration file 'hardware.gdb'.

Please refer to the ST9+ microcontroller datasheet, to the GNU C Compiler User Manual, and to the Emulator User Manual for further details on these configurations.

4 SOFTWARE EXAMPLE

The code below shows a software example of a Small Memory Model interface (ST90158 microcontroller example) with an external memory located in segment 1 of the memory (and pointed to by DPR0, DPR1, and DPR2. DPR3 points to the internal RAM in segment 20h).

```
spp #21
ld R245, #082h ;EMR1 register: Normal mode & high-speed buffers
ld R246, #050h; ;EMR2 register: zero wait states & (Bit 4)=1

spp #0
ld R252, #40h ; WCR: zero wait states
ld R235, #20h ; MODER: No prescaler division & No High Impedance

spp #3
ld R250, #000h ;P6.5 in Alternate function
ld R249, #0FFh ; Push-Pull
ld R248, #0FFh ; (RW pin)
spp #2
ld R242, #000h ;Port 0 in Alternate function
ld R241, #0FFh ; Push-Pull
ld R240, #0FFh ; (Address LSB/Data multiplexed)
ld R246, #000h ;Port 1 in Alternate function
ld R245, #0FFh ; Push-Pull
ld R244, #0FFh ; (Address MSB)

spp #21
ld R240, #0x04 ;DPR0 register
ld R241, #0x05 ;DPR1 register
ld R242, #0x06 ;DPR2 register
ld R243, #0x83 ;DPR3 register

sdm ; set data memory
ld 0x0000, #0xAA ;examples of data transfers
ld 0x4000, #0xAA ; in external memory
ld 0x8000, #0xAA ;
```

ST9+ EXTERNAL MEMORY INTERFACE CONFIGURATION

"THE PRESENT NOTE WHICH IS FOR GUIDANCE ONLY AIMS AT PROVIDING CUSTOMERS WITH INFORMATION REGARDING THEIR PRODUCTS IN ORDER FOR THEM TO SAVE TIME. AS A RESULT, STMICROELECTRONICS SHALL NOT BE HELD LIABLE FOR ANY DIRECT, INDIRECT OR CONSEQUENTIAL DAMAGES WITH RESPECT TO ANY CLAIMS ARISING FROM THE CONTENT OF SUCH A NOTE AND/OR THE USE MADE BY CUSTOMERS OF THE INFORMATION CONTAINED HEREIN IN CONNEXION WITH THEIR PRODUCTS."

Information furnished is believed to be accurate and reliable. However, STMicroelectronics assumes no responsibility for the consequences of use of such information nor for any infringement of patents or other rights of third parties which may result from its use. No license is granted by implication or otherwise under any patent or patent rights of STMicroelectronics. Specifications mentioned in this publication are subject to change without notice. This publication supersedes and replaces all information previously supplied. STMicroelectronics products are not authorized for use as critical components in life support devices or systems without the express written approval of STMicroelectronics.

The ST logo is a registered trademark of STMicroelectronics

©1998 STMicroelectronics - All Rights Reserved.

Purchase of I²C Components by STMicroelectronics conveys a license under the Philips I²C Patent. Rights to use these components in an I²C system is granted provided that the system conforms to the I²C Standard Specification as defined by Philips.

STMicroelectronics Group of Companies

Australia - Brazil - Canada - China - France - Germany - Italy - Japan - Korea - Malaysia - Malta - Mexico - Morocco - The Netherlands - Singapore - Spain - Sweden - Switzerland - Taiwan - Thailand - United Kingdom - U.S.A.

<http://www.st.com>



LittleDiode supplies new, hard to find or obsolete electronic components and semiconductors all over the world.

With over two million different components listed you are sure to find the part you need.

Feel free to visit us today at our online store:

LittleDiode.com

Looking forward to providing you with the best possible service.