



## ST7 S/W IMPLEMENTATION OF I2C BUS MASTER

---

by Microcontroller Division Applications Team

### INTRODUCTION

The goal of this application note is to implement an I2C communications software interface for devices which have no I2C peripheral. The software of this application performs I2C master transmitter and master receiver functions. The master chosen here is a ST72311 and the slave is an EEPROM (M24C08).

The program described in this application note is in C language, a program in assembly language is also available in the software library (see ST7 CD ROM on Internet).

### 1 CHARACTERISTICS

The main characteristics of this I2C software are:

- 7-bit addressing
- Master Transmitter/Receiver
- Several data bytes sent and received (3 in this application)
- F<sub>scl</sub> = 62.5 kHz
- Acknowledge management
- Error management (AF)

The I2C synchronous communication needs only two signals: SCL (Serial clock line) and SDA (Serial data line). The corresponding port pins are here PA4 for SCL and PA6 for SDA, like in the real peripheral.

These two pins are configured as floating input (to have a high level applied on the pin or to receive data) or as output open drain (to have a low level applied on the pin or to output data).

Please refer to the ST7 datasheet for more details about port configuration.

## ST7 S/W IMPLEMENTATION OF I2C BUS MASTER

### 1.1 COMMUNICATION SPEED

The communication speed is modifiable by using the function delay(time) which waits for a given time period and then modifies the frequency of SCL.

Here  $F_{scl}$  is equal to 62.5 kHz. It can be easily reduced by increasing the period between two clock cycles, but this speed is not far from the highest speed you can have (~70 kHz).

### 1.2 START, STOP CONDITION AND ACKNOWLEDGE GENERATION

The Start and Stop conditions are always generated by the master. In this software, there are no bits to set to generate these conditions like in the real peripheral: you just have to call the corresponding function (I2Cm\_Start() and I2Cm\_Stop()).

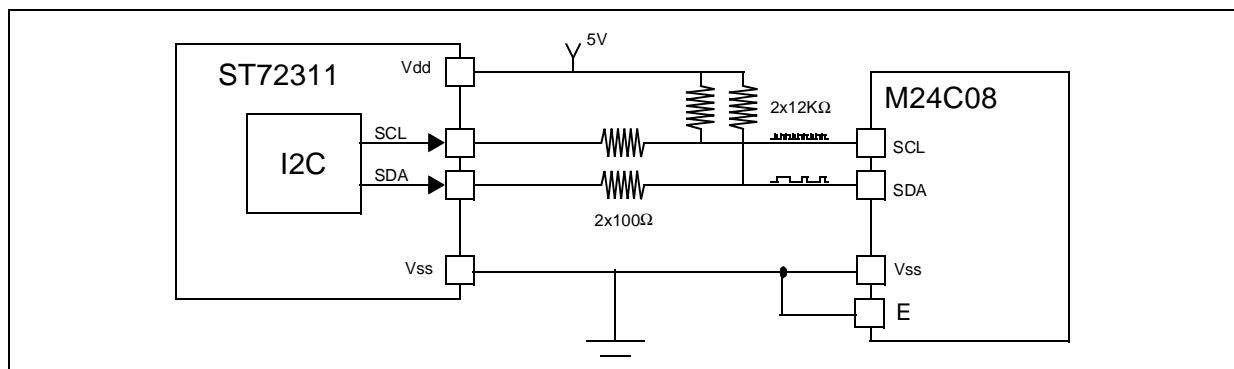
An Acknowledge is sent after an address or a data byte is received. When the master has to receive an acknowledge from the slave, you have to call the function Wait\_Ack() which reads the SDA and SCL lines to recognize the acknowledge condition (the SDA line put at the low state by the one which sends the acknowledge during one clock pulse). And when the master has to send an acknowledge after receiving data from the slave, you have to call the function I2Cm\_Ack().

## 2 ST7 I2C COMMUNICATION APPLICATION

### 2.1 HARDWARE CONFIGURATION

The ST7 communication application hardware is composed of a ST72311 microcontroller (which has no I2C peripheral) and any slave (an M24C08 EEPROM for example).

**Figure 1. ST7 / E2PROM I2C Communication Application**



### 2.2 INITIATING A COMMUNICATION

To initiate an I2C communication, first a start condition has to be generated and then the selected slave address has to be sent, both by the master.

Here, this action is done by calling the function `I2Cm_Start()` followed by the sending of the slave address with the least significant bit correctly set (0:transmission, 1:reception).

As the slave here is an EEPROM, two addresses have to be sent by the master to the slave: the address of the slave and the address where you want to write or read into the EEPROM (refer to Section 3: Communication frames).

### 2.3 SENDING A DATA BYTE ON THE I2C BUS

To transmit a new data byte from the ST72311, the addresses or data bytes previously transmitted have to be completed correctly. This previous byte transmission check is done with the reception of an acknowledge condition by the master. If an error is detected (AF: Acknowledge Failure), the AF bit of the created `I2C_SR2` register is cleared and the transmission is restarted from the START condition.

When the previous data transmission is over, the application writes the new data byte to be transmitted. The data to transmit is put on the created `I2C_DR` register and is sent bit by bit through PADR (PA6=SDA), MSB first.

All the data to send to the slave (and the addresses too) are stored in a table.

### 2.4 RECEIVING A DATA BYTE ON THE I2C BUS

To receive a new data byte, the previous data byte to receive has to be completed correctly. This byte reception check is done with the sending of an acknowledge condition by the master. An AF can't occur on the master side because it's the master that sends the acknowledge condition. If there is a problem with the reception of this acknowledge, it's up to the slave to manage this problem.

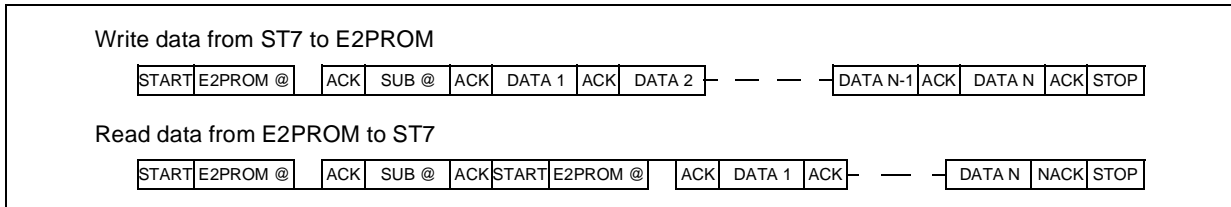
The frame in this case (master receiver) is: the master after sending the first Start condition and the two addresses, has to resend a Start condition followed by the address of the EEPROM, but this time with the least significant bit at 1 to make the slave understand it's waiting for the data (refer to Section 3: Communication frames).

When the master is receiver, after receiving the last data, it has to generate a non acknowledge condition to be able to generate the STOP condition afterwards.

### 3 COMMUNICATION FRAMES

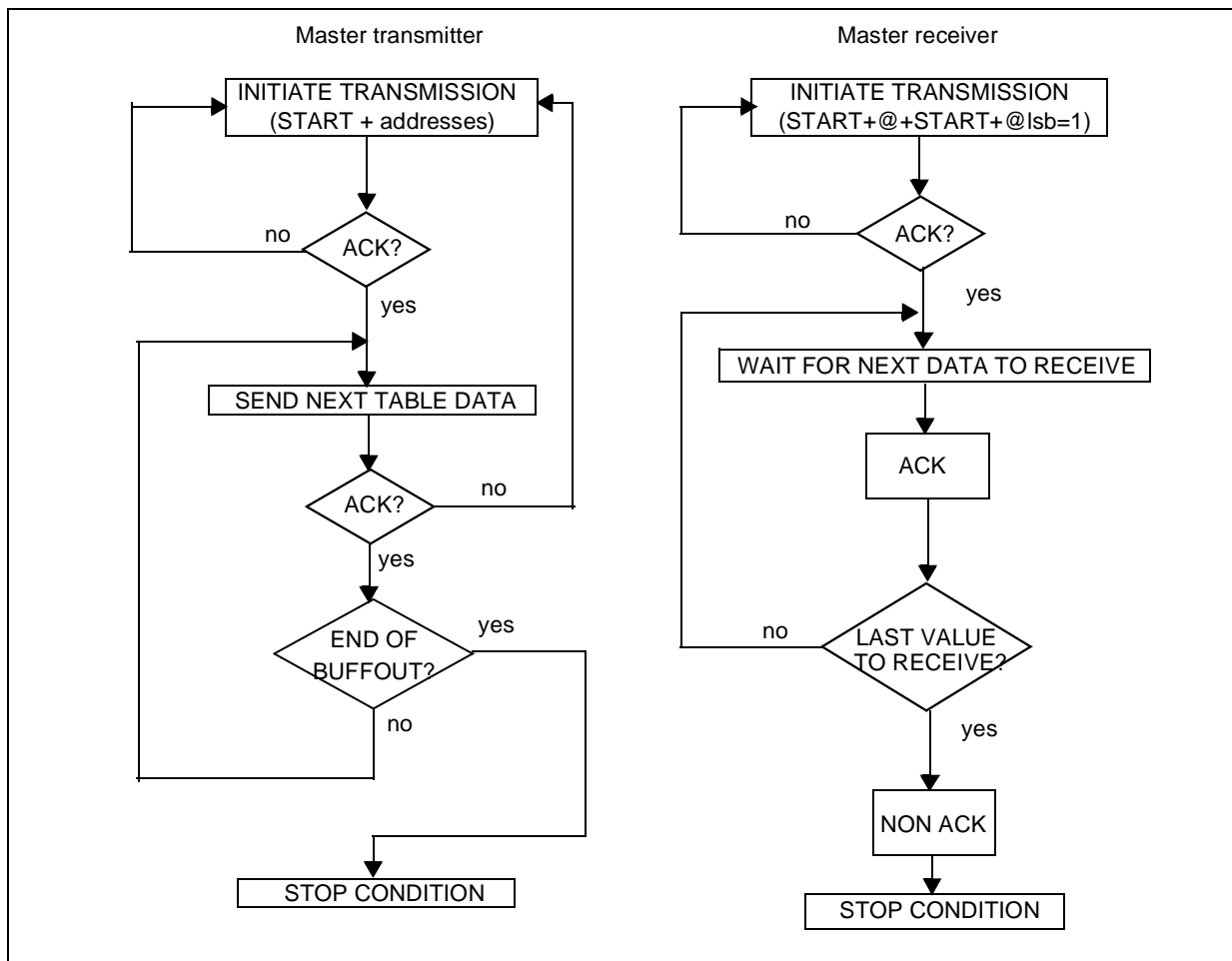
The communication protocol between the master and the slave is given in Figure 2. For more details, please refer to the ST7 datasheet.

**Figure 2. I2C Communication Protocol**

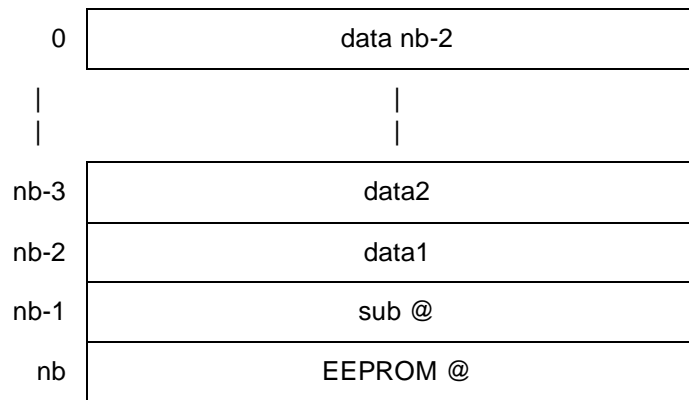


### 4 FLOWCHARTS

**Figure 3. Communication Application Flowchart**



**Figure 4. Buffer of transmission structure**

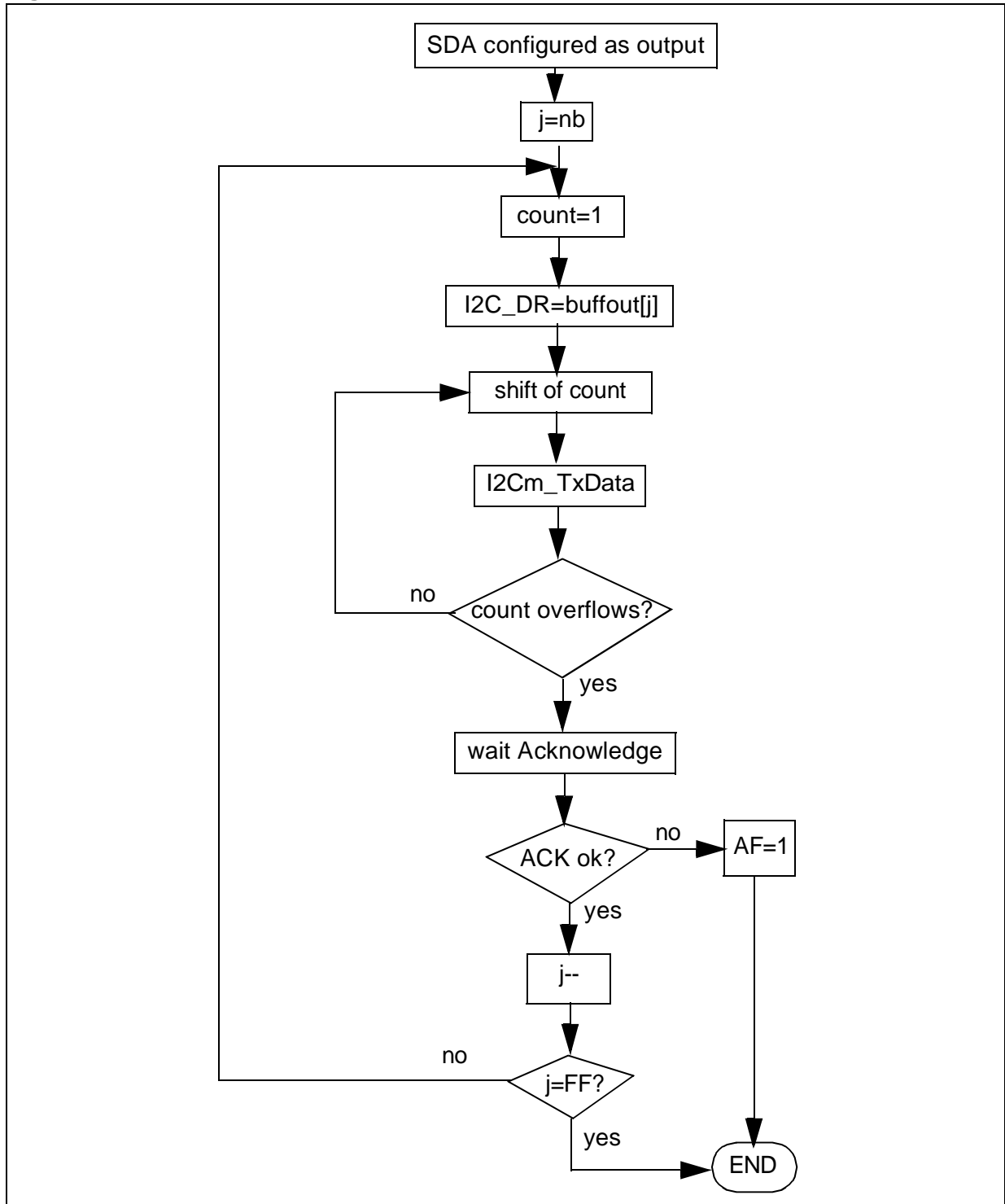


The buffer of transmission contains the EEPROM address, the sub address (the address where you want to write into the EEPROM) and then the data to transmit.

In this application, a parameter called “n” allows you to modify the number of data to transmit and then to receive. The number of data is “n-1”, that means that in this application, as 3 data have to be sent, “n=4”.

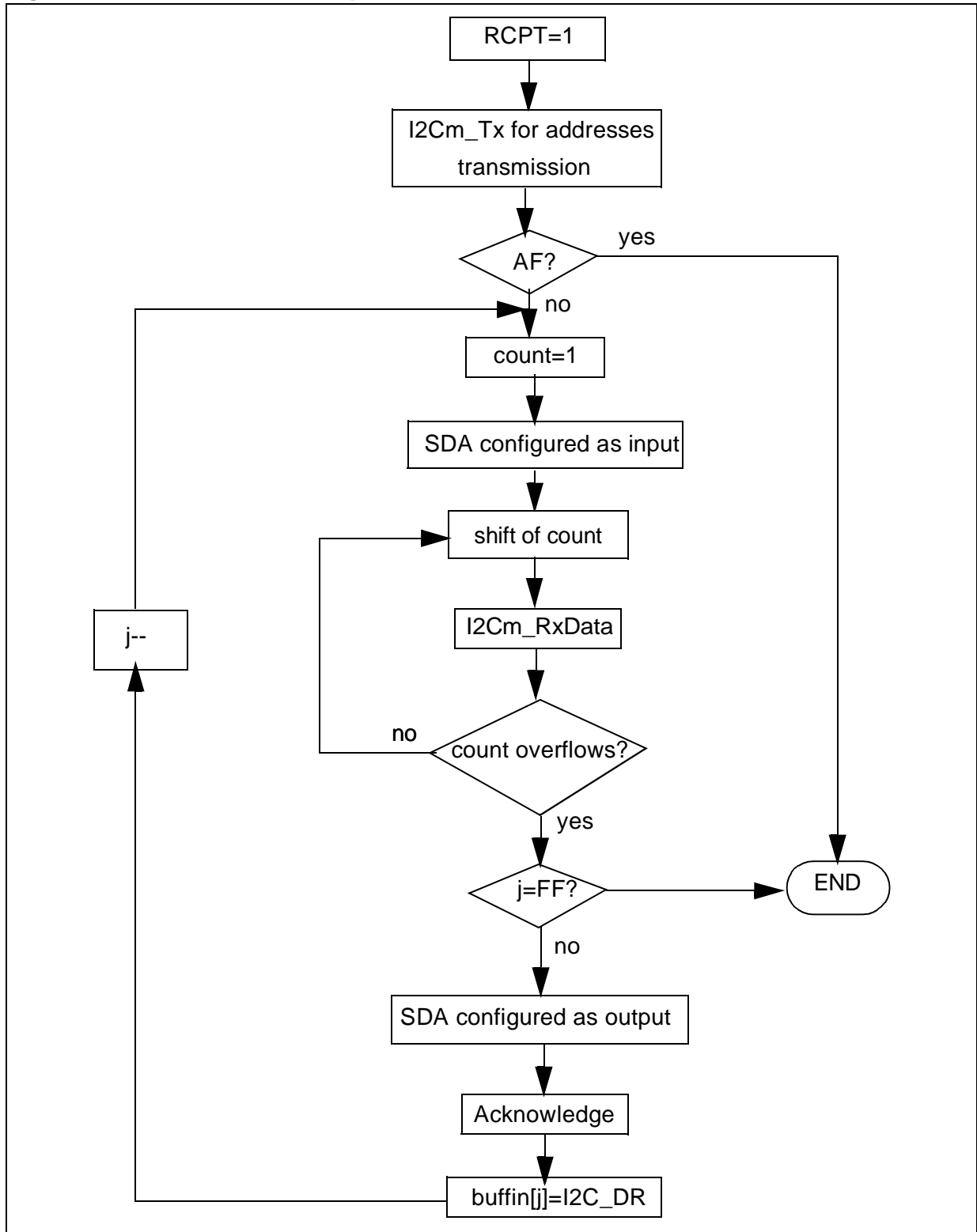
The transmission function is based on a double shift: a shift of the “count” variable to call 8 times the function I2Cm\_TxData (to send the 8 bis of one data) and a shift into the I2Cm\_TxData function to always send the MSB of the data (refer to Figure 5).

Figure 5. Flowchart of the transmission function



The reception function is also based on a double shift: a shift of the “count” variable to call 8 times the function I2Cm\_RxData (to receive the 8 bis of one data) and a shift of a buffer into the I2Cm\_RxData function to receive the data bit by bit on the LSB (refer to Figure 6).

Figure 6. Flowchart of the reception function





## ST7 S/W IMPLEMENTATION OF I2C BUS MASTER

---

```
/*-----*/
ROUTINE NAME : I2Cm_Start
INPUT/OUTPUT : None.
DESCRIPTION  : Generates I2C-Bus Start Condition.
COMMENTS    :
-----*/
void I2Cm_Start (void)
{
    ClrBit(PADDR,SDA); /*SDA and SCL as floating input to have a high state*/
    ClrBit(PADDR,SCL);
    delay(10);
    SetBit(PADDR,SDA); /*SDA as output open drain to have a low state*/
    delay(4); /*waits 4.875µs at a Fcpu=8MHz to keep the high state on SCL*/
    SetBit(PADDR,SCL); /*SCL as output open drain to have a low state*/
    delay(6); /*delay to wait after a START*/
}
/*-----*/
ROUTINE NAME : I2Cm_Stop
INPUT/OUTPUT : None.
DESCRIPTION  : Generates I2C-Bus Stop Condition.
COMMENTS    :
-----*/
void I2Cm_Stop (void)
{
    SetBit(PADDR,SDA); /*configure SDA and SCL as output open drain to have a
low state*/
    SetBit(PADDR,SCL);
    ClrBit(PADDR,SCL); /*configure SCL as floating input to have a high state*/
    delay(4); /*macro delay with time=4 (4.875 µs)*/
    ClrBit(PADDR,SDA); /*configure SDA as floating input to have a high state*/
    /*delay after the Stop did in main.c with Wait_lms()*/
}
/*-----*/
ROUTINE NAME : wait_Ack
INPUT/OUTPUT : None.
DESCRIPTION  : Acknowledge received?
COMMENTS    : Transfer sequence = DATA, ACK.
-----*/
void wait_Ack (void)
{
    SetBit(PADDR,SCL); /*output open drain to have a low level*/
    ClrBit(PADDR,SDA); /*floating input, the slave has to pull SDA low*/
    delay(1);
    if (ValBit(PADR,SDA)) /*test of SDA level, if high -> problem*/
    {
        SetBit(I2C_SR2,AF);
    }
}
```

## ST7 S/W IMPLEMENTATION OF I2C BUS MASTER

---

```
        ClrBit(I2C_SR1,ACK);
    return;
}
delay(2);
if (ValBit(PADR,SDA)) /*test of SDA level, if high -> problem*/
{
    SetBit(I2C_SR2,AF);
    ClrBit(I2C_SR1,ACK);
    return;
    delay(5);
ClrBit(PADDR,SCL); /*start of the generation of 1 clock pulse*/
delay(1);
if (ValBit(PADR,SDA)) /*test of SDA level, if high -> problem*/
{
    SetBit(I2C_SR2,AF);
    ClrBit(I2C_SR1,ACK);
    return;
}
delay(1);
if (ValBit(PADR,SDA)) /*test of SDA level, if high -> problem*/
{
    SetBit(I2C_SR2,AF);
    ClrBit(I2C_SR1,ACK);
    return;
}
delay(1);
SetBit(PADDR,SCL); /*end of the clock pulse*/
SetBit(I2C_SR1,ACK);
delay(1);
    SetBit(PADDR,SDA); /*reconfigure SDA as output to proceed at the next
transmission*/
}
/*-----
ROUTINE NAME : I2C_nAck
INPUT/OUTPUT : None.
DESCRIPTION : Non acknowledge generation from now.
COMMENTS : Transfer sequence = DATA, NACK.
-----*/
void I2C_nAck (void)
{
    ClrBit(I2C_SR2,ACK); /*Non acknowledge when the master is receiver*/
}

/*-----
ROUTINE NAME : I2Cm_Init
INPUT/OUTPUT : None.
DESCRIPTION : I2C initialisation routine.
```

## ST7 S/W IMPLEMENTATION OF I2C BUS MASTER

---

```
COMMENTS      :
-----*/
void I2Cm_Init (void)
{
    count=0;
    I2C_SR1=0;
    I2C_SR2=0;
    I2C_DR=0;
    err_status=0;
    t_count_err=0;
    r_count_err=0;
    SetBit(I2C_SR1,M_SL);      /*Master mode: M_SL=1*/
}
/*-----
ROUTINE NAME : I2Cm_TxData
INPUT/OUTPUT : data byte to be transfered(MSB first) / None.
DESCRIPTION  : Transmits a data bit.
COMMENTS    : Transfer sequence = DATA, ACK, ...
-----*/
void I2Cm_TxData (void)
{
    SetBit(PADDR,SCL);      /*low level on SCL */
    if (I2C_SR2)            /*check the communication error status.*/
    {
        err_status++;
        t_count_err++;
        if (t_count_err==0) t_count_err++;
    }
    else                    /*if no error*/
    {
        if (ValBit(I2C_DR,7))
            SetBit(PADR,SDA);      /*send a one*/
        else
            ClrBit(I2C_DR,7);      /*send a zero*/
        I2C_DR*=2;
        ClrBit(PADDR,SCL);      /*high state on SCL*/
        delay(10);
    }
}
/*-----
ROUTINE NAME : I2Cm_RxData
INPUT/OUTPUT : Last byte to receive flag (active high) / Received data bit.
DESCRIPTION  : Receive a data bit.
COMMENTS    : Transfer sequence = DATA, ACK, ...
-----*/
```

## ST7 S/W IMPLEMENTATION OF I2C BUS MASTER

---

```
void I2Cm_RxData (void)
{
    if (!I2C_SR2)                /*no communication error detected*/
    {
        buff*=2;                /*shift I2C_DR to receive next bit*/
        asm
        {
            nop
            nop
            nop
        }
        ClrBit(PADDR,SCL);      /*rise the SCL line*/
        do{
        }while(ValBit(PADR,SCL)!=0); /*wait SCL at a high state*/
            if(ValBit(PADR,SDA))
                buff|=1;        /*the received bit is 1*/
            else
                buff|=0;        /*the received bit is 0*/
            delay(10);
            SetBit(PADDR,SCL);  /*SCL at a low level*/
        }
        else
            r_count_errr++;
    }
}
/*-----*/
ROUTINE NAME : I2C_Ack
INPUT/OUTPUT : None.
DESCRIPTION : Send Ack to the slave.
COMMENTS :
-----*/
void I2C_Ack(void)
{
    ClrBit(PADR,SDA);           /*the master pulls the SDA line low*/
    SetBit(PADDR,SDA);
    delay(10);

    ClrBit(PADDR,SCL);         /*waits the master takes the control of SDA*/
    delay(10);

    SetBit(PADDR,SCL);
    delay(5);
    ClrBit(PADDR,SDA);         /*the master releases the SDA line*/
    SetBit(I2C_SR1,ACK);       /*ACK=1: Acknowledge sent by the master*/
}
/*-----*/
```

## ST7 S/W IMPLEMENTATION OF I2C BUS MASTER

```
ROUTINE NAME : I2Cm_Tx
INPUT/OUTPUT : send_tab and nb, the number of data to transmit (with 2 addresses)/
None.
DESCRIPTION : Transmit data buffer.
COMMENTS : Most significant bytes first.
-----*/
void I2Cm_Tx (char * buffout, char )
{
    SetBit(PADDR,SDA);          /*configure SDA as an output to send data*/
    for (j=nb;j!=0xFF;j--)      /*2 @ and 3 data to send: from X=5 downto X=0*/
    {
        flag=0;
        if ((j==(nb-2))&&(ValBit(I2C_SR1,RCPT))) /*EEPROM @ and sub @ sent*/
        {
            I2Cm_Start();      /*Start condition*/
            j=nb;              /*EEPROM @ with the LSB at 1 to send*/
            flag=1;
        }
        count=1;
        I2C_DR=buffout[j];
        if (flag==1) I2C_DR=I2C_DR|1; /* if master receiver, the @ to send is A1*/
        do
        { I2Cm_TxData();        /*sending of data bit per bit, MSB first*/
          count*=2;
          }while(count!=0);
        wait_Ack();            /*wait ACK from the slave*/
        if(!ValBit(I2C_SR1,ACK))
            SetBit(I2C_SR2,AF);
        if (flag==1) return;    /*if master receiver, go back to I2Cm_Rx()*/
    }
}
/*-----*/
ROUTINE NAME : I2Cm_Rx
INPUT/OUTPUT : data byte to receive/ None.
DESCRIPTION : Read data from EEPROM.
COMMENTS : Most significant bytes first.
-----*/
void I2Cm_Rx (char *buffin, char nb)
{
    SetBit(I2C_SR1,RCPT);      /*master in receiver mode*/
    I2Cm_Tx(&send_tab,nb);     /*send the addresses and wait ACK*/
    if (ValBit(I2C_SR2,AF)) return; /*if AF -> go back to main and restart the
reception*/
    for (j=(nb-2);j!=0xFF;j--)
    {
```

## ST7 S/W IMPLEMENTATION OF I2C BUS MASTER

---

```
count=1;
buff=0;
ClrBit(PADDR,SDA); /*SDA as floating input to read data from the EEPROM*/
do
{
    I2Cm_RxData();          /*read data bit per bit, MSB first*/
    count*=2;
    }while(count!=0);
I2C_DR=buff;
if (j==0)
    I2C_nAck(); /*non acknowledge to make the master generate the STOP*/
else
{
    SetBit(PADDR,SDA);      /*configure SDA as output*/
    I2C_Ack();              /*to acknowledge read data*/
    if (ValBit(I2C_SR2,AF)) return;
}
buffin[j]=I2C_DR;          /*store read data into buffin*/
}
}
/***** (c) 1998 STMicroelectronics *****/ END OF FILE/
```

## ST7 S/W IMPLEMENTATION OF I2C BUS MASTER

---

THE PRESENT NOTE WHICH IS FOR GUIDANCE ONLY AIMS AT PROVIDING CUSTOMERS WITH INFORMATION REGARDING THEIR PRODUCTS IN ORDER FOR THEM TO SAVE TIME. AS A RESULT, STMICROELECTRONICS SHALL NOT BE HELD LIABLE FOR ANY DIRECT, INDIRECT OR CONSEQUENTIAL DAMAGES WITH RESPECT TO ANY CLAIMS ARISING FROM THE CONTENT OF SUCH A NOTE AND/OR THE USE MADE BY CUSTOMERS OF THE INFORMATION CONTAINED HEREIN IN CONNEXION WITH THEIR PRODUCTS.

Information furnished is believed to be accurate and reliable. However, STMicroelectronics assumes no responsibility for the consequences of use of such information nor for any infringement of patents or other rights of third parties which may result from its use. No license is granted by implication or otherwise under any patent or patent rights of STMicroelectronics. Specifications mentioned in this publication are subject to change without notice. This publication supersedes and replaces all information previously supplied. STMicroelectronics products are not authorized for use as critical components in life support devices or systems without the express written approval of STMicroelectronics.

The ST logo is a registered trademark of STMicroelectronics

©1999 STMicroelectronics - All Rights Reserved.

Purchase of I<sup>2</sup>C Components by STMicroelectronics conveys a license under the Philips I<sup>2</sup>C Patent. Rights to use these components in an I<sup>2</sup>C system is granted provided that the system conforms to the I<sup>2</sup>C Standard Specification as defined by Philips.

STMicroelectronics Group of Companies

Australia - Brazil - Canada - China - France - Germany - Italy - Japan - Korea - Malaysia - Malta - Mexico - Morocco - The Netherlands - Singapore - Spain - Sweden - Switzerland - Taiwan - Thailand - United Kingdom - U.S.A.

<http://www.st.com>



LittleDiode supplies new, hard to find or obsolete electronic components and semiconductors all over the world.

With over two million different components listed you are sure to find the part you need.

Feel free to visit us today at our online store:

[LittleDiode.com](http://LittleDiode.com)

Looking forward to providing you with the best possible service.