



AN1010 APPLICATION NOTE

Changing from the ST1305 to the ST1335 In Your Application

The evolution of the application, from one that uses the ST1305 to one that uses the ST1335, is a relatively straightforward process. This document highlights the issues, and shows how the ST1335 is fully compatible with the ST1305 if the fields have been used in the conventional manner. First, the principle features of the two devices are compared, as follows:

ST1305	ST1335
<ul style="list-style-type: none">■ Single 5 V Supply Voltage■ Programming Time: 5 ms■ Memory Divided Into:<ul style="list-style-type: none">– 16 bits of Circuit Identification– 48 bits of Card Identification– 48 bits of Count Data– 16 bits of Certificate– 64 bits of Issuer Data■ Counting Capability up to 262,144■ Certificate for card validation■ 5 External Contacts Only (ISO 7816 Compatible)■ Answer to Reset (Compatible with ISO 7816-3)■ E.S.D. Protection Greater than 4000 V■ Power-On and Low V_{CC} Reset■ 10 Year Data Retention■ 1 Million Erase/Write Cycle Endurance	<ul style="list-style-type: none">■ Single 5 V Supply Voltage■ Programming Time: 5 ms■ Memory Divided Into:<ul style="list-style-type: none">– 16 bits of Circuit Identification– 48 bits of Card Identification– 40 bits of Count Data– 16 bits of Certificate– 64 bits of Authentication Secret Key– 32 bits of Anti-tearing Flags– 56 bits of User Data■ Counting Capability up to 32,767■ Certificate for card validation■ Advanced Authentication Function■ Special Anti-tearing Mechanism■ 5 External Contacts Only (ISO 7816 Compatible)■ Answer to Reset (Compatible with ISO 7816-3)■ E.S.D. Protection Greater than 4000 V■ Power-On and Low V_{CC} Reset■ 10 Year Data Retention■ 1 Million Erase/Write Cycle Endurance

Figure 1. Logic Diagram

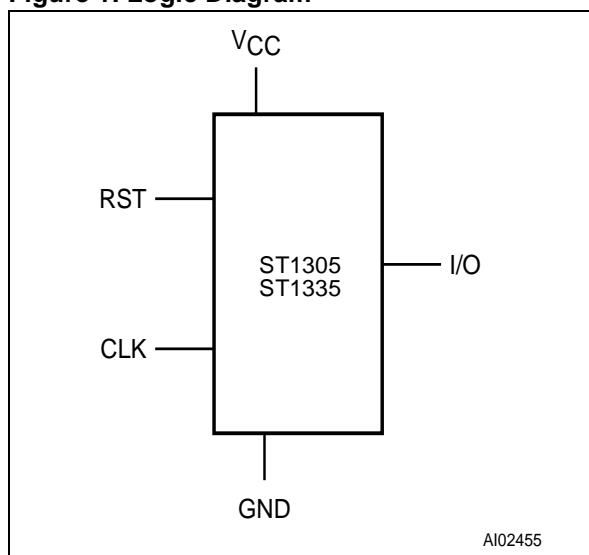


Table 1. Signal Names

CLK	Clock
RST	Reset
I/O	Data Input / Output
V _{CC}	Supply Voltage
GND	Ground

COMMANDS

The ST1335 and the ST1305 devices both recognize the following commands, issued on the RST and CLK pins:

- RESET: to reset the internal address register to 00d
- READ: to increment the internal address register, and to read the data bit at that address
- PROG: to program the bit at the current address

For a full description of these commands, please refer to the *ST1335* and *ST1305* data-sheets.

DIFFERENCES VISIBLE TO THE APPLICATION

As shown in Figure 2, the ST1335 and the ST1305 differ only in the following areas:

- One counter at location 104d on the ST1305 is not available on the ST1335
- The Issuer Data area is not readable in the ST1335, as it holds the authentication secret key

If the ISSUER data is to be used by the end-user, it should be noted that it is located at address 128d on the ST1305, and has been moved to location 320d on the ST1335.

Even if the application currently does not use the Authentication mechanism, it is recommended that a Unique Secret Key be written to location 128d of the ST1335, to anticipate future usage of active authentication.

ANTI-TEARING

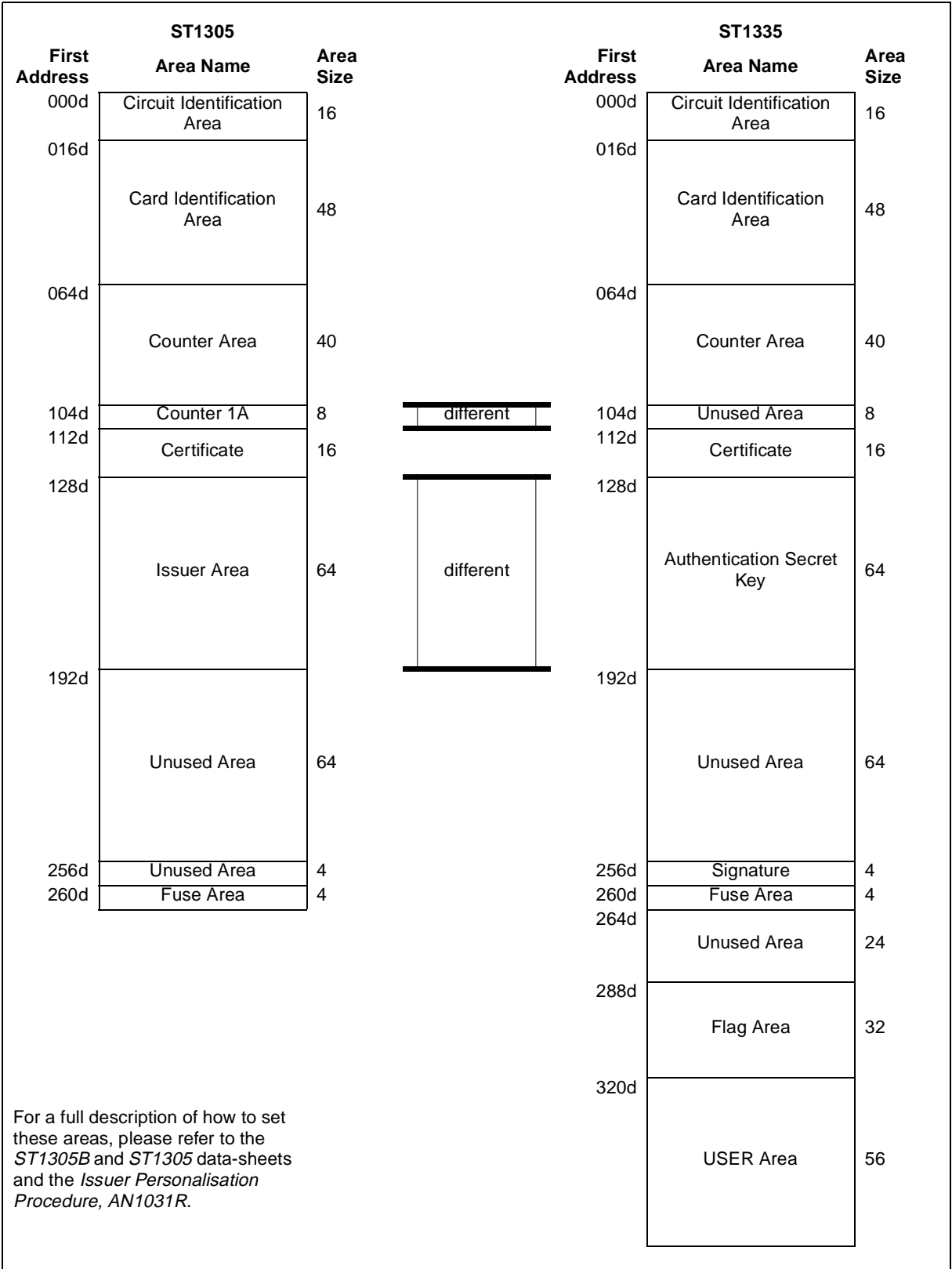
The usage of the new anti-tearing area, on the ST1335, is only dependent on the terminal software.

ANTI-CLONE

To make use of active authentication, the terminal software has to be upgraded with a security module (SAM). This is why a secret key has to be written in the ST1335 device during the personalization. In order to secure this value, it is recommended that the secret key be defined using a mathematical function of the following form:

$$\text{Secret Key} = F(\text{ID area, Master Key})$$

Figure 2. Comparison of the Memory Maps in the USER Configuration



AN1010 - APPLICATION NOTE

If you have any questions or suggestions concerning the matters raised in this document, please send them to the following electronic mail addresses:

apps.memcard@st.com (for application support)
ask.memory@st.com (for general enquiries)

Please remember to include your name, company, location, telephone number and fax number.

Information furnished is believed to be accurate and reliable. However, STMicroelectronics assumes no responsibility for the consequences of use of such information nor for any infringement of patents or other rights of third parties which may result from its use. No license is granted by implication or otherwise under any patent or patent rights of STMicroelectronics. Specifications mentioned in this publication are subject to change without notice. This publication supersedes and replaces all information previously supplied. STMicroelectronics products are not authorized for use as critical components in life support devices or systems without express written approval of STMicroelectronics.

© 1998 STMicroelectronics - All Rights Reserved

The ST logo is a registered trademark of STMicroelectronics.

All other names are the property of their respective owners.

STMicroelectronics GROUP OF COMPANIES

Australia - Brazil - China - France - Germany - Italy - Japan - Korea - Malaysia - Malta - Mexico - Morocco - The Netherlands - Singapore - Spain - Sweden - Switzerland - Taiwan - Thailand - United Kingdom - U.S.A.

<http://www.st.com>



LittleDiode supplies new, hard to find or obsolete electronic components and semiconductors all over the world.

With over two million different components listed you are sure to find the part you need.

Feel free to visit us today at our online store:

LittleDiode.com

Looking forward to providing you with the best possible service.