

DATA SHEET

For a complete data sheet, please also download:

- The IC06 74HC/HCT/HCU/HCMOS Logic Family Specifications
- The IC06 74HC/HCT/HCU/HCMOS Logic Package Information
- The IC06 74HC/HCT/HCU/HCMOS Logic Package Outlines

74HC/HCT7080 16-bit even/odd parity generator/checker

Product specification
File under Integrated Circuits, IC06

December 1990

16-bit even/odd parity generator/checker

74HC/HCT7080

FEATURES

- Word-length easily expanded by cascading
- Generates either even or odd parity for 16-data bits
- Output capability: standard
- I_{CC} category: MSI

GENERAL DESCRIPTION

The 74HC/HCT7080 are high-speed Si-gate CMOS devices. They are specified in compliance with JEDEC standard no. 7A.

The 74HC/HCT7080 are 16-bit parity generators or checkers commonly used to detect errors in high-speed data transmission or data retrieval systems.

The even and odd parity output is available for generating or checking even/odd parity up to 16-bits.

The even/odd parity output (E/\bar{O}) is HIGH when an even number of data inputs (I_0 to I_{15}) are HIGH and the cascade/even-odd-changing input (\bar{X}) is HIGH.

Expansion to larger word sizes is accomplished by connecting the even/odd parity output (E/\bar{O}) to the cascade/even-odd-changing input (\bar{X}) of the final stage.

QUICK REFERENCE DATA

GND = 0 V; T_{amb} = 25 °C; t_r = t_f = 6 ns

SYMBOL	PARAMETER	CONDITIONS	TYPICAL		UNIT
			HC	HCT	
t _{PHL} / t _{PLH}	propagation delay I _n to E/ \bar{O} \bar{X} to E/ \bar{O}	C _L = 15 pF; V _{CC} = 5 V	29 12	32 15	ns ns
C _I	input capacitance		3.5	3.5	pF
C _{PD}	power dissipation capacitance per package	notes 1 and 2	24	25	pF

Notes

1. C_{PD} is used to determine the dynamic power dissipation (P_D in μW):

$$P_D = C_{PD} \times V_{CC}^2 \times f_i + \sum (C_L \times V_{CC}^2 \times f_o) \text{ where:}$$

f_i = input frequency in MHz

f_o = output frequency in MHz

$\sum (C_L \times V_{CC}^2 \times f_o)$ = sum of outputs

C_L = output load capacitance in pF

V_{CC} = supply voltage in V

2. For HC the condition is V_I = GND to V_{CC}
For HCT the condition is V_I = GND to V_{CC} - 1.5 V

ORDERING INFORMATION

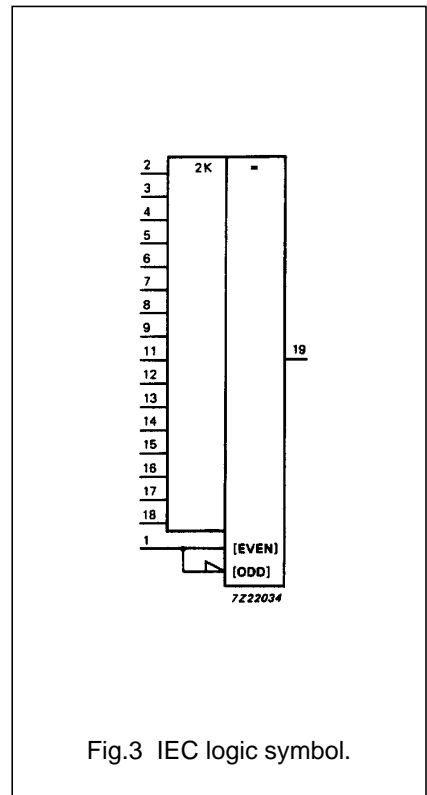
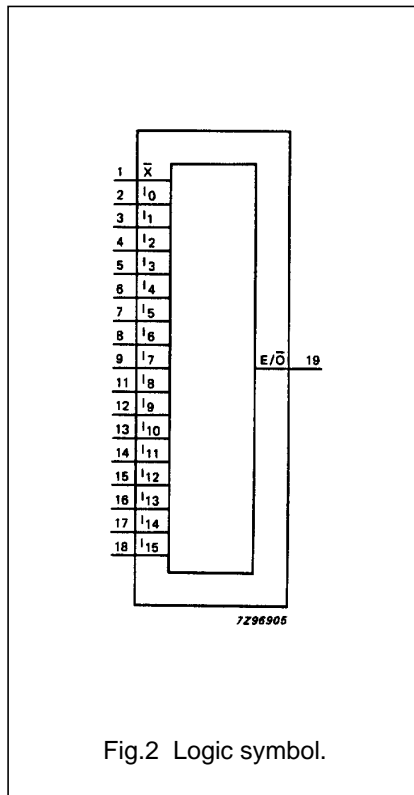
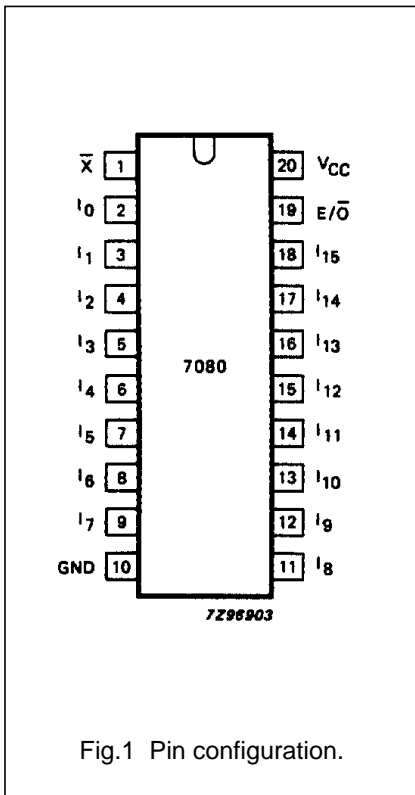
See "74HC/HCT/HCU/HCMOS Logic Package Information".

16-bit even/odd parity generator/checker

74HC/HCT7080

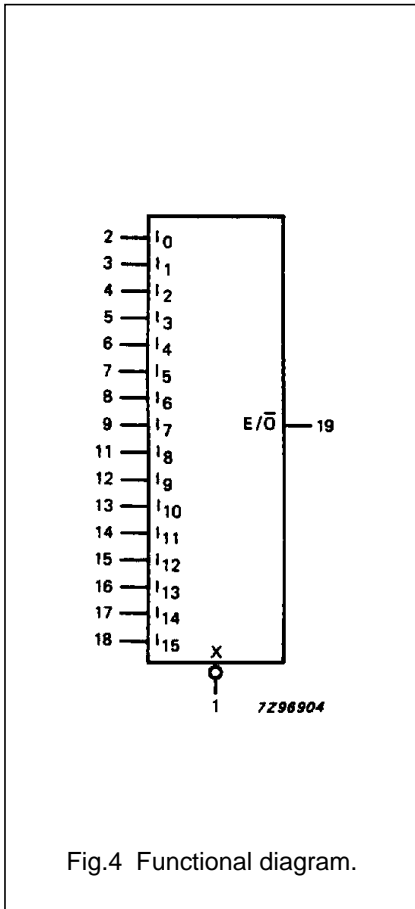
PIN DESCRIPTION

PIN NO.	SYMBOL	NAME AND FUNCTION
1	\bar{X}	cascade/even-odd-changing input
2, 3, 4, 5, 6, 7, 8, 9, 11, 12, 13, 14, 15, 16, 17, 18	I_0 to I_{15}	data inputs
10	GND	ground (0 V)
19	E/\bar{O}	even/odd parity output
20	V_{CC}	positive supply voltage



16-bit even/odd parity generator/checker

74HC/HCT7080

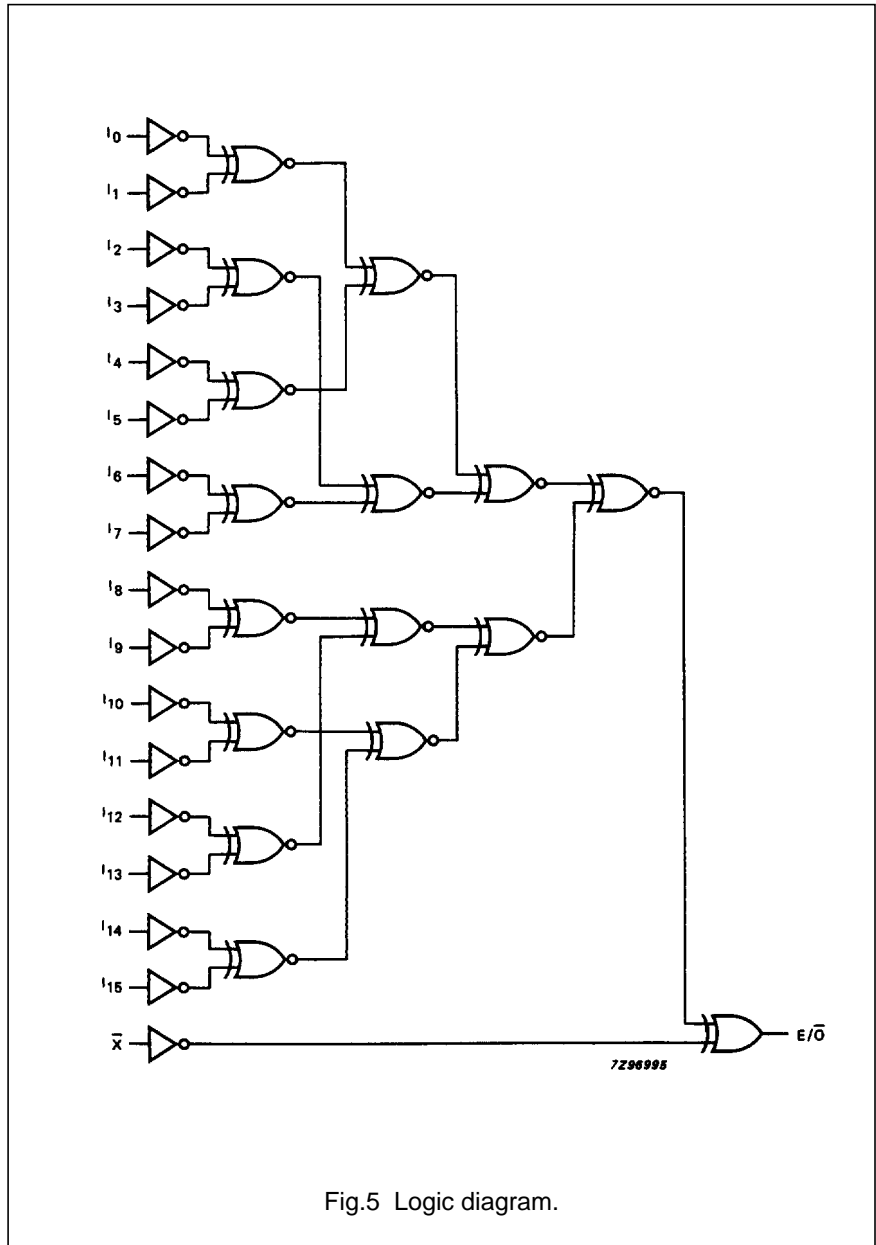


FUNCTION TABLE

INPUTS		OUTPUTS
I_n	\bar{X}	E/\bar{O}
$\Sigma = E$	H	H
	L	L
$\Sigma \neq E$	H	L
	L	H

Notes

- H = HIGH voltage level
L = LOW voltage level
E = even



16-bit even/odd parity generator/checker

74HC/HCT7080

DC CHARACTERISTICS FOR 74HC

For the DC characteristics see *"74HC/HCT/HCU/HCMOS Logic Family Specifications"*.

Output capability: standard

I_{CC} category: MSI

AC CHARACTERISTICS FOR 74HC

GND = 0 V; t_r = t_f = 6 ns; C_L = 50 pF

SYMBOL	PARAMETER	T _{amb} (°C)							UNIT	TEST CONDITIONS	
		74HC								V _{CC} (V)	WAVEFORMS
		+25			-40 to +85		-40 to +125				
		min.	typ.	max.	min.	max.	min.	max.			
t _{PHL} / t _{PLH}	propagation delay I _n to E/ \bar{O}		91 33 26	280 56 48		350 70 60		420 84 71	ns	2.0 4.5 6.0	Fig.7
t _{PHL} / t _{PLH}	propagation delay X to E/ \bar{O}		41 15 12	150 30 26		190 38 33		225 45 38	ns	2.0 4.5 6.0	Fig.6
t _{THL} / t _{TLH}	output transition time		19 7 6	75 15 13		95 19 16		110 22 19	ns	2.0 4.5 6.0	Figs 6 and 7

16-bit even/odd parity generator/checker

74HC/HCT7080

DC CHARACTERISTICS FOR 74HCT

For the DC characteristics see *"74HC/HCT/HCU/HCMOS Logic Family Specifications"*.

Output capability: standard

I_{CC} category: MSI

Note to HCT types

The value of additional quiescent supply current (ΔI_{CC}) for a unit load of 1 is given in the family specifications.

To determine ΔI_{CC} per input, multiply this value by the unit load coefficient shown in the table below.

INPUT	UNIT LOAD COEFFICIENT
I_n	1.0
\bar{X}	1.0

AC CHARACTERISTICS FOR 74HCT

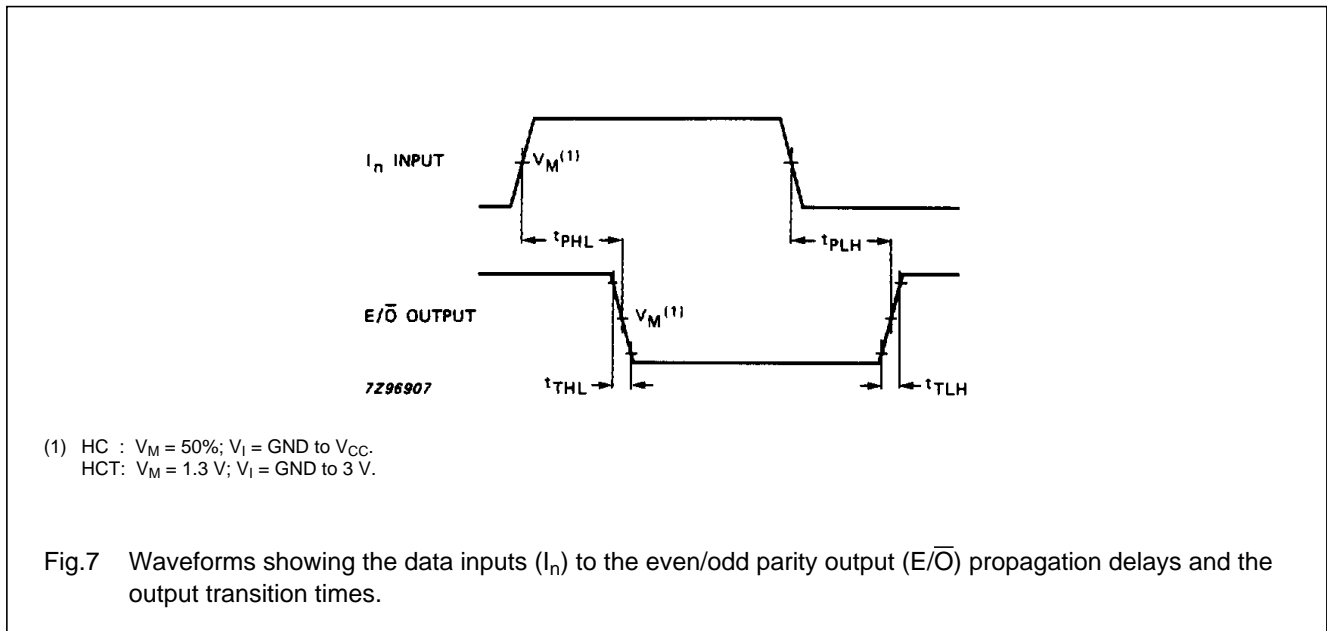
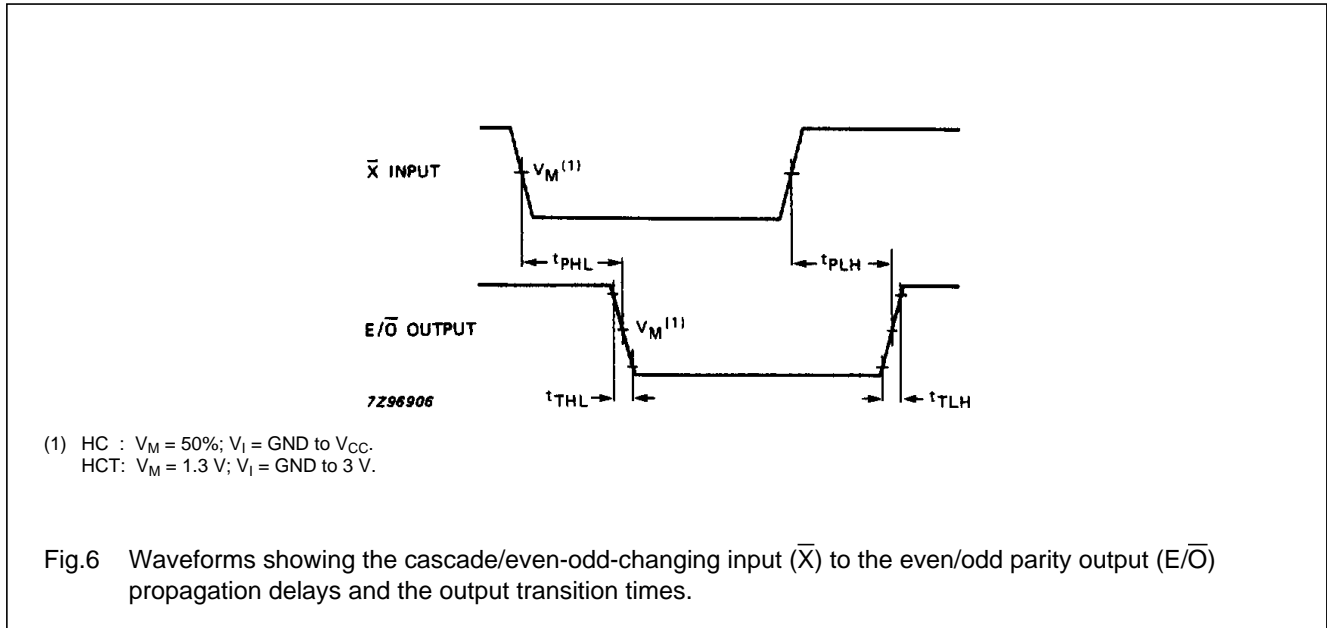
GND = 0 V; $t_r = t_f = 6$ ns; $C_L = 50$ pF

SYMBOL	PARAMETER	T_{amb} (°C)							UNIT	TEST CONDITIONS	
		74HCT								V_{CC} (V)	WAVEFORMS
		+25			-40 to +85		-40 to +125				
		min.	typ.	max.	min.	max.	min.	max.			
t_{PHL}/t_{PLH}	propagation delay I_n to E/\bar{O}		37	63		79		95	ns	4.5	Fig.7
t_{PHL}/t_{PLH}	propagation delay \bar{X} to E/\bar{O}		18	32		40		48	ns	4.5	Fig.6
t_{THL}/t_{TLH}	output transition time		7	15		19		22	ns	4.5	Figs 6 and 7

16-bit even/odd parity generator/checker

74HC/HCT7080

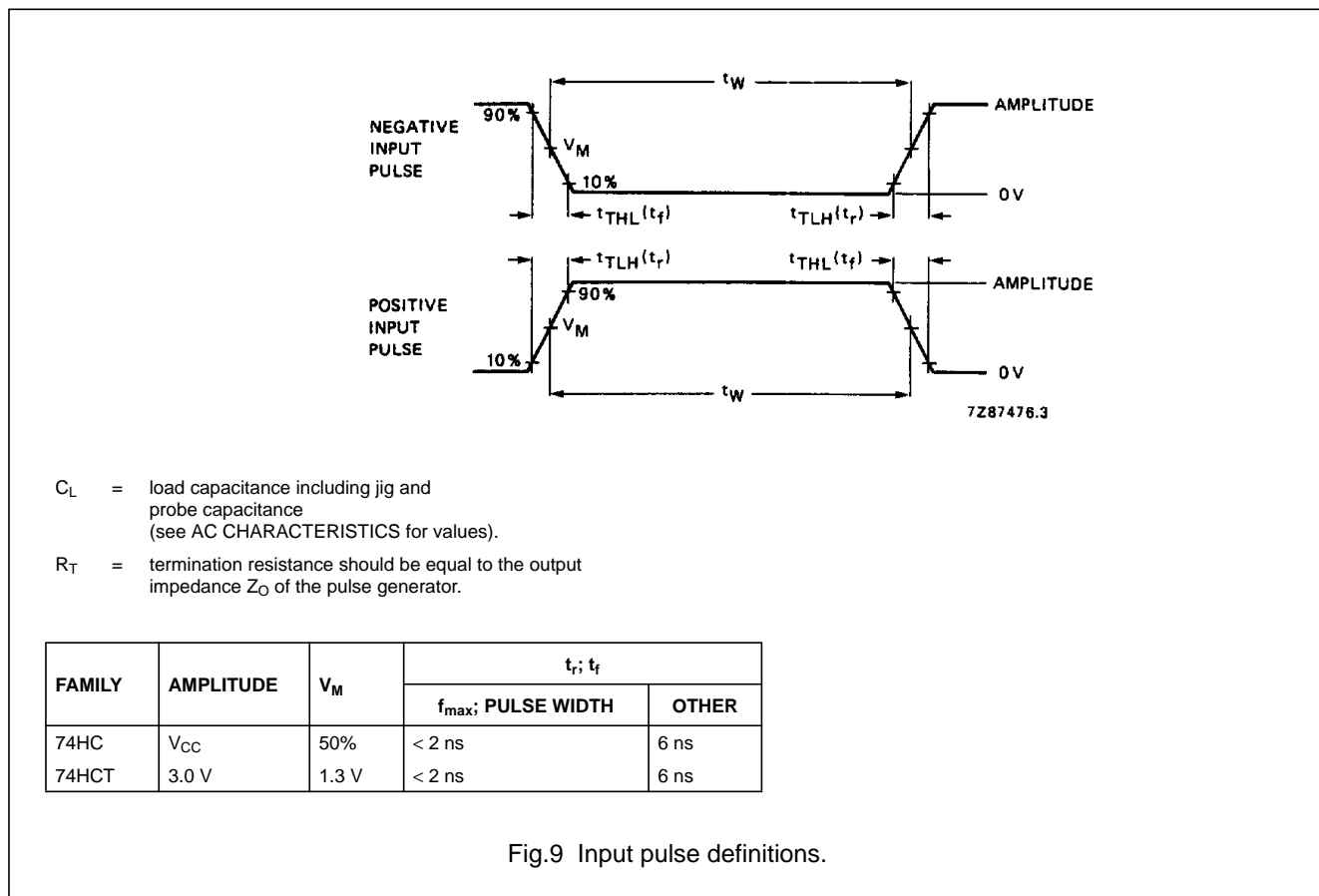
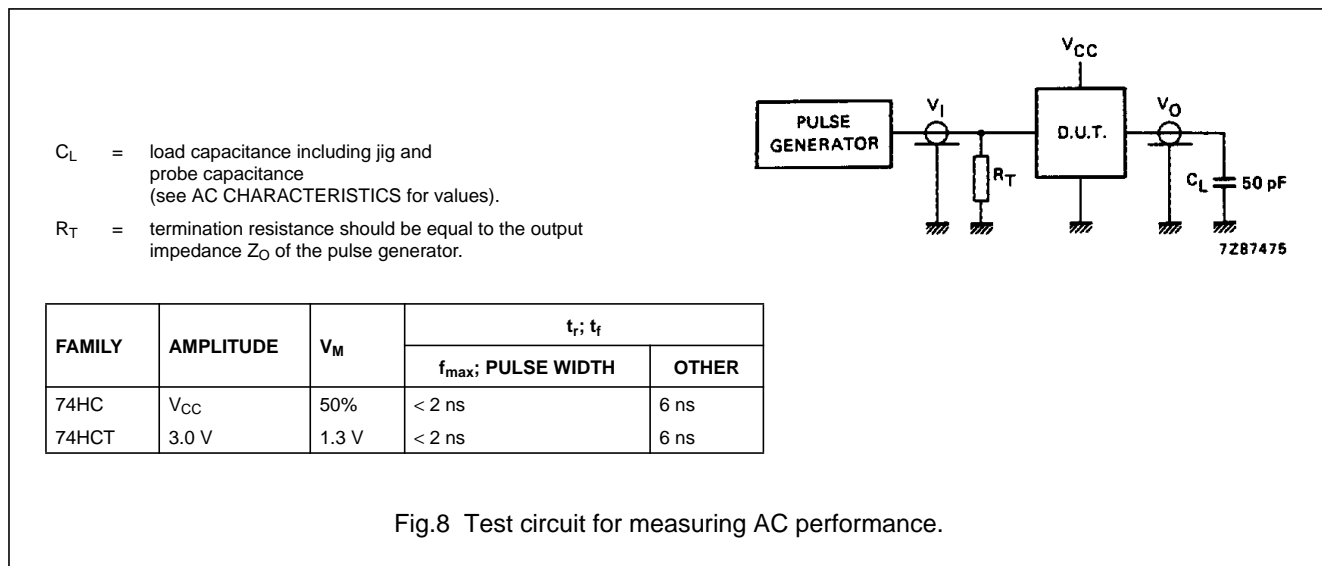
AC WAVEFORMS



16-bit even/odd parity generator/checker

74HC/HCT7080

TEST CIRCUIT AND WAVEFORMS



PACKAGE OUTLINES

See "74HC/HCT/HCU/HCMOS Logic Package Outlines".



LittleDiode supplies new, hard to find or obsolete electronic components and semiconductors all over the world.

With over two million different components listed you are sure to find the part you need.

Feel free to visit us today at our online store:

LittleDiode.com

Looking forward to providing you with the best possible service.