

DATA SHEET

For a complete data sheet, please also download:

- The IC06 74HC/HCT/HCU/HCMOS Logic Family Specifications
- The IC06 74HC/HCT/HCU/HCMOS Logic Package Information
- The IC06 74HC/HCT/HCU/HCMOS Logic Package Outlines

74HC/HCT7731

Quad 64-bit static shift register

Product specification
File under Integrated Circuits, IC06

September 1993

Quad 64-bit static shift register

74HC/HCT7731

FEATURES

- Frequency range DC to 100 MHz.
- Separate serial data inputs
- Cascadable
- Functionally compatible with HEF 4731
- Includes recycling mode
- Direct shift out
- Output capability: Standard
- I_{CC} category: LSI.

APPLICATIONS

- Data storage
- Delay line.

GENERAL DESCRIPTION

The HC/HCT7731 are high-speed Si-gate CMOS devices. They are specified in compliance with JEDEC standard no. 7A.

The HC/HCT7731 are quad 64-bit static shift registers with a recycling mode. Each register has separate data inputs D_a to D_d, clock inputs CP_a to CP_d and data outputs Q_a to Q_d. Data shifts one place towards the output, each LOW to HIGH transition of the clock pulse. Each recycling mode input controls two registers REC_{ab} for registers A and B and REC_{cd} for registers C and D. When the REC input is HIGH, the device is in the recycling mode and data at the output is shifted back into the input of the register, so after 64 clock pulses the contents of a register is again in its original position. This enables the user to tap off data from any position. When the REC input is LOW external data can be shifted in.

QUICK REFERENCE DATA

GND = 0 V; T_{amb} = 25 °C; t_r = t_f = 6 ns.

| SYMBOL | PARAMETER | CONDITIONS | TYP. | | UNIT |
|------------------------------------|--|--|------|-----|------|
| | | | HC | HCT | |
| t _{PHL} /t _{PLH} | propagation delay CP _{a-d} to Q _{a-d} | C _L = 15 pF; V _{CC} = 5 V | 15 | 20 | ns |
| f _{max} | maximum clock frequency | | 100 | 100 | MHz |
| C _I | input capacitance | | 3.5 | 3.5 | pF |
| C _{PD} | power dissipation capacitance per register | notes 1, 2 and 3 | 58 | 61 | pF |

Notes

1. C_{PD} is used to determine the dynamic power dissipation (P_D in μW):

$$P_D = (C_{PD} \times V_{CC}^2 \times f_i) + (C_L + V_{CC}^2 \times f_o) + (I_{pull-up} \times V_{CC})$$

where:

f_i = input frequency in MHz.

f_o = output frequency in MHz.

V_{CC} = supply voltage in V.

C_L = output load capacitance in pF.

I_{pull-up} = pull-up currents in μA.

2. For HC the condition is V_I = GND to V_{CC}
For HCT the condition is V_I = GND to V_{CC} – 1.5 V.
3. See also power dissipation information.

ORDERING INFORMATION

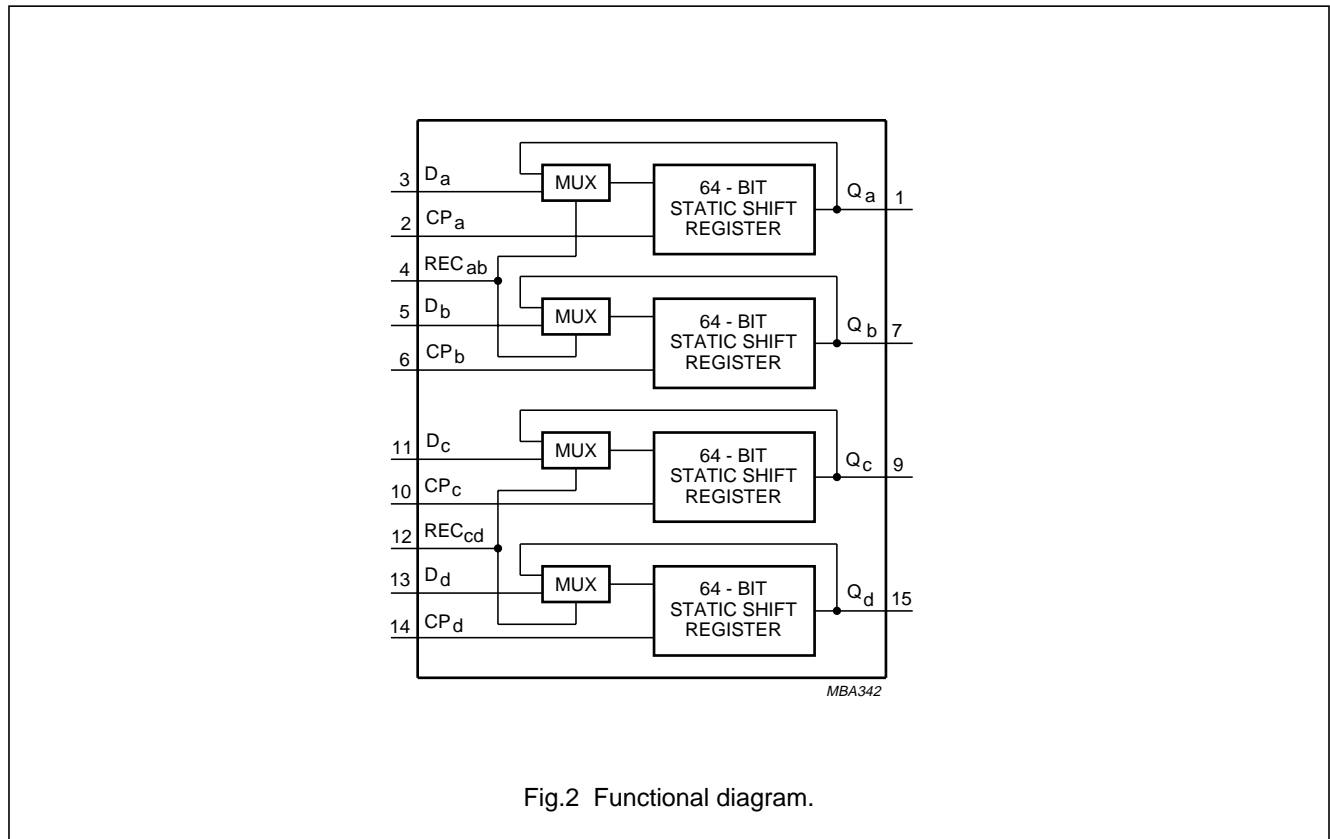
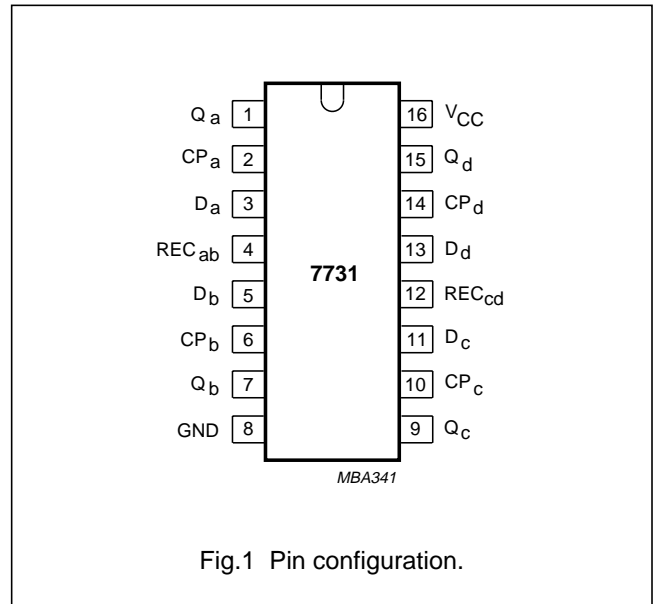
| EXTENDED TYPE NUMBER | PACKAGE | | | |
|-------------------------|---------|--------------|----------|---------|
| | PINS | PIN POSITION | MATERIAL | CODE |
| 74HC/HCT7731N | 16 | DIL | plastic | SOT38Z |
| 74HC/HCT7731D | 16 | SO16 | plastic | SOT109A |

Quad 64-bit static shift register

74HC/HCT7731

PINNING

| SYMBOL | PIN | DESCRIPTION |
|-------------------------|--------------|-----------------------|
| Q_a to Q_d | 1, 7, 9, 15 | data outputs |
| CP_a to CP_d | 2, 6, 10, 14 | clock inputs |
| D_a to D_d | 3, 5, 11, 13 | data inputs |
| REC_{ab} , REC_{cd} | 4, 12 | recycled enable input |
| GND | 8 | ground (0 V) |
| V_{CC} | 16 | positive supply |



Quad 64-bit static shift register

74HC/HCT7731

DC CHARACTERISTICS FOR 74HC

For the DC characteristics see *"74HC/HCT/HCU/HCMOS Logic Family Specifications"*.

Output capability: standard

I_{CC} category: LSI.

AC CHARACTERISTICS FOR 74HC

GND = 0 V; t_r = t_f = 6 ns; C_L = 50 pF.

| SYMBOL | PARAMETER | T _{amb} (°C) | | | | | | | UNIT | TEST CONDITION | |
|------------------------------------|---|-----------------------|-----|-----|------------|-----|-------------|-----|------|------------------------|----------------|
| | | +25 | | | -40 to +85 | | -40 to +125 | | | V _{CC} (V) | WAVEFORMS |
| | | MIN | TYP | MAX | MIN | MAX | MIN | MAX | | | |
| t _{PHL} /t _{PLH} | propagation delay time CP to Q _n | – | 50 | 155 | – | 190 | – | 230 | ns | 2.0 | Fig.4 |
| | | – | 18 | 31 | – | 38 | – | 46 | ns | 4.5 | |
| | | – | 15 | 26 | – | 32 | – | 39 | ns | 6.0 | |
| t _{THL} /t _{TLH} | output transition time | – | 19 | 75 | – | 90 | – | 110 | ns | 2.0 | Fig.4 |
| | | – | 7 | 15 | – | 18 | – | 22 | ns | 4.5 | |
| | | – | 6 | 13 | – | 15 | – | 19 | ns | 6.0 | |
| t _W | clock pulse width HIGH or LOW | 80 | 19 | – | 100 | – | 120 | – | ns | 2.0 | Fig.4 |
| | | 16 | 7 | – | 20 | – | 24 | – | ns | 4.5 | |
| | | 14 | 6 | – | 17 | – | 20 | – | ns | 6.0 | |
| t _{su} | set-up time D _n to CP _n | 60 | 8 | – | 75 | – | 90 | – | ns | 2.0 | Fig.4 |
| | | 12 | 3 | – | 15 | – | 18 | – | ns | 4.5 | |
| | | 10 | 3 | – | 13 | – | 15 | – | ns | 6.0 | |
| t _{su} | set-up time REC _n to CP _n | 75 | 22 | – | 90 | – | 110 | – | ns | 2.0 | Fig.5 |
| | | 15 | 8 | – | 18 | – | 22 | – | ns | 4.5 | |
| | | 13 | 7 | – | 15 | – | 19 | – | ns | 6.0 | |
| t _h | hold time D _n to CP _n | 25 | –3 | – | 30 | – | 35 | – | ns | 2.0 | Fig.4 |
| | | 5 | –1 | – | 6 | – | 7 | – | ns | 4.5 | |
| | | 4 | –1 | – | 5 | – | 6 | – | ns | 6.0 | |
| t _h | hold time REC _n to CP _n | 10 | –8 | – | 10 | – | 15 | – | ns | 2.0 | Fig.5 |
| | | 2 | –3 | – | 2 | – | 3 | – | ns | 4.5 | |
| | | 2 | –3 | – | 2 | – | 3 | – | ns | 6.0 | |
| f _{max} | maximum clock pulse frequency | 6 | 26 | – | 4.8 | – | 4 | – | MHz | 2.0 | Fig.4 (note 1) |
| | | 30 | 78 | – | 24 | – | 20 | – | MHz | 4.5 | |
| | | 35 | 93 | – | 28 | – | 23 | – | MHz | 6.0 | |

Note

1. The maximum power dissipation has to be observed. See power dissipation information.

Quad 64-bit static shift register

74HC/HCT7731

UNIT LOAD COEFFICIENT

| INPUT | UNIT LOAD COEFFICIENT |
|------------------|-----------------------|
| CP _n | 0.7 |
| REC _n | 0.4 |
| D _n | 0.5 |

Notes

- The RS input has CMOS input switching levels.
- The value of additional quiescent supply current (ΔI_{CC}) for a unit load of 1 is given in the family specifications. To determine ΔI_{CC} per input, multiply this value by the unit load coefficient shown in Table 1.

AC CHARACTERISTICS FOR 74HCT

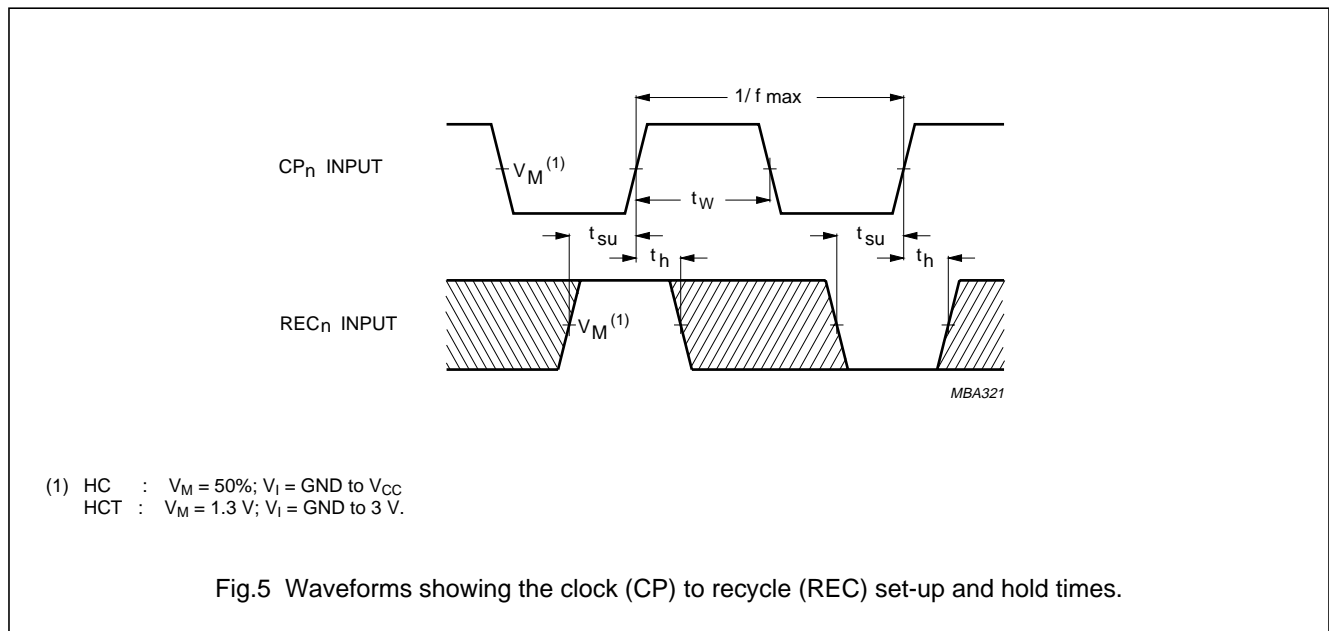
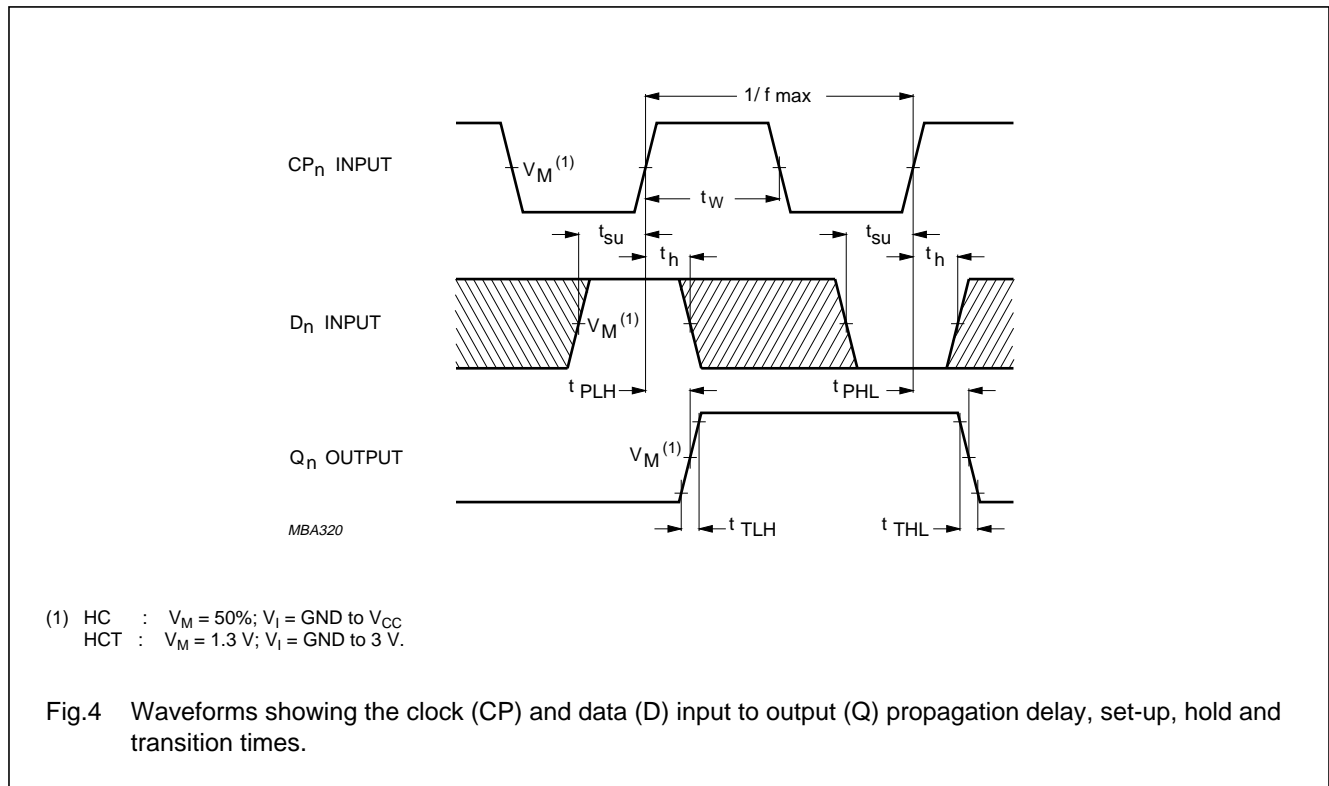
GND = 0 V; $t_r = t_f = 6$ ns; $C_L = 50$ pF.

| SYMBOL | PARAMETER | T _{amb} (°C) | | | | | | | UNIT | TEST CONDITION | |
|------------------------------------|---|-----------------------|-----|-----|------------|-----|-------------|-----|------|------------------------|----------------|
| | | +25 | | | -40 to +85 | | -40 to +125 | | | V _{CC} (V) | WAVEFORMS |
| | | MIN | TYP | MAX | MIN | MAX | MIN | MAX | | | |
| t _{PHL} /t _{PLH} | propagation delay time CP to Q _n | – | 24 | 42 | – | 52 | – | 63 | ns | 4.5 | Fig.4 |
| t _{THL} /t _{TLH} | output transmission time | – | 7 | 15 | – | 18 | – | 22 | ns | 4.5 | Fig.4 |
| t _W | clock pulse width HIGH or LOW | 16 | 7 | – | 20 | – | 24 | – | ns | 4.5 | Fig.4 |
| t _{su} | set-up time D _n to CP _n | 12 | 3 | – | 15 | – | 18 | – | ns | 4.5 | Fig.4 |
| t _{su} | set-up time REC _n to CP _n | 15 | 6 | – | 18 | – | 22 | – | ns | 2 | Fig.5 |
| t _h | hold time D _n to CP _n | 5 | 0 | – | 6 | – | 7 | – | ns | 2 | Fig.4 |
| t _h | hold time REC _n to CP _n | 2 | –3 | – | 2 | – | 3 | – | ns | 4.5 | Fig.5 |
| f _{max} | maximum clock pulse frequency | 30 | 80 | – | 24 | – | 20 | – | MHz | 4.5 | Fig.4 (note 1) |

Quad 64-bit static shift register

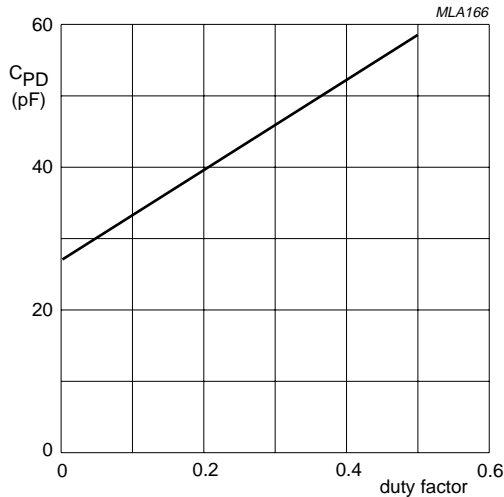
74HC/HCT7731

AC WAVEFORMS



Quad 64-bit static shift register

74HC/HCT7731

Fig.6 C_{PD} as a function of the duty factor.**POWER DISSIPATION INFORMATION**

The power dissipation per register operating at the same frequency is given by:

$$P_D = (C_{PD} \times V_{CC}^2 \times f_i) + (C_L + V_{CC}^2 \times f_o) + (I_{pull-up} \times V_{CC})$$

- f_i = clock input frequency
 f_o = data output frequency
 C_L = output load capacitance in pF
 V_{CC} = power supply voltage in V.

As P_D also depends on the frequency at which the contents of the internal bits are changing, the value of C_{PD} is a function of the duty factor (d_f) being the ratio between data and clock frequency, see Fig.6.

Example:

- f_i = 12 MHz
 f_o = 3 MHz
 C_L = 25 pF
 V_{CC} = 5 V
 d_f = $3/12 = 0.25$
 C_{PD} = 42.5 pF

$$P_D = (42.5 \times 5^2 \times 12) + (25 \times 5^2 \times 3) = 14625 \mu W$$

As the maximum allowable power dissipation in an SO package at $T_{amb} = 125^\circ C$ is 60 mW, it is allowed to apply 4 registers at the same time under these conditions.

PACKAGE OUTLINES

See "74HC/HCT/HCU/HCMOS Logic Package Outlines".



LittleDiode supplies new, hard to find or obsolete electronic components and semiconductors all over the world.

With over two million different components listed you are sure to find the part you need.

Feel free to visit us today at our online store:

LittleDiode.com

Looking forward to providing you with the best possible service.