



74FR16245 16-Bit Transceiver with TRI-STATE® Outputs

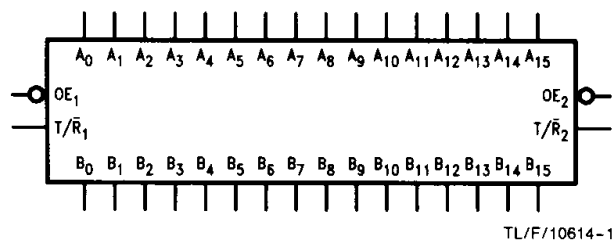
General Description

The 'FR16245 contains sixteen non-inverting bidirectional buffers with TRI-STATE outputs and is intended for bus-oriented applications. Current sinking capability is 64 mA on both the A and B ports. The device is byte controlled. Each byte has separate control inputs which can be shorted together for full 16-bit operation. The transmit/receive (T/\bar{R}) inputs determine the direction of data flow through the transceiver. The output enable (\overline{OE}) inputs disable both A and B ports by placing them in an high impedance state.

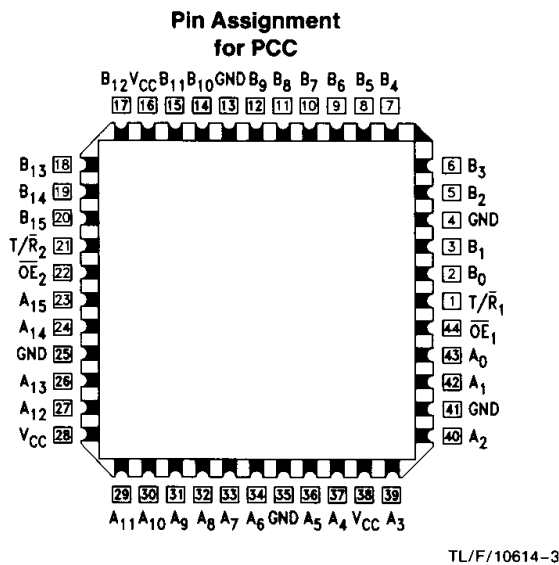
Features

- Non-inverting buffers
- Bidirectional data paths
- A and B output sink capability of 64 mA, source capability of 15 mA
- Separate control pins for each byte
- Guaranteed 4000V minimum ESD protection
- Guaranteed pin to pin skew
- Low TRI-STATE I_{IL}
- 16-Bit version of the 'F245 or 'F645

Logic Symbol



Connection Diagram



74FR16245 16-Bit Transceiver with TRI-STATE Outputs

TRI-STATE® is a registered trademark of National Semiconductor Corporation.
FACT™ is a trademark of National Semiconductor Corporation.

Pin Descriptions

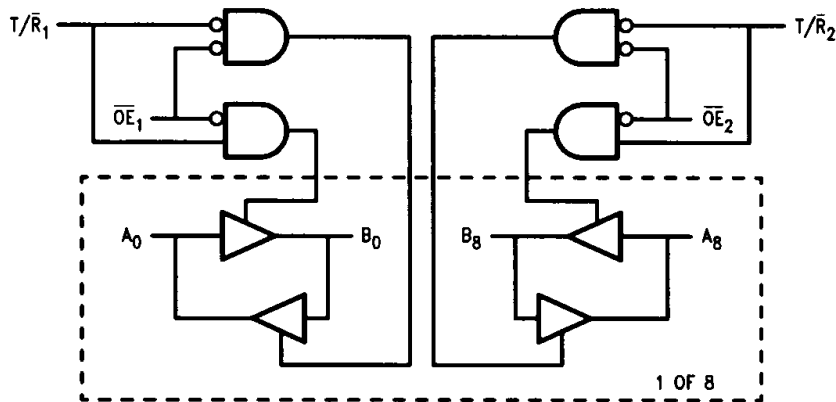
Pin Names	Description
\overline{OE}_n	Output Enable Input
T/\overline{R}_n	Transmit/Receive Input
A_0-A_{15}	A Bus Inputs/ TRI-STATE Outputs
B_0-B_{15}	B Bus Inputs/ TRI-STATE Outputs

Truth Table

Inputs				Output Operating Mode	
Byte1 (0:7)		Byte2 (8:15)		Byte1 (0:7)	Byte2 (8:15)
\overline{OE}_1	T/\overline{R}_1	\overline{OE}_2	T/\overline{R}_2		
L	L	H	X	Bus B Data to A	High Z State
L	H	H	X	Bus A Data to B	High Z State
H	X	L	L	High Z State	Bus B Data to A
H	X	L	H	High Z State	Bus A Data to B
L	L	L	L	Bus B Data to A	Bus B Data to A
L	H	L	H	Bus A Data to B	Bus A Data to B
H	X	H	X	High Z State	High Z State

H = High Voltage Level
L = Low Voltage Level
X = Immaterial

Logic Diagram



TL/F/10614-2

Absolute Maximum Ratings (Note 1)

If Military/Aerospace specified devices are required, please contact the National Semiconductor Sales Office/Distributors for availability and specifications.

Storage Temperature	-65°C to +150°C
Ambient Temperature under Bias	-55°C to +125°C
Junction Temperature under Bias	-55°C to +175°C
V _{CC} Pin Potential to Ground Pin	-0.5V to +7.0V
Input Voltage (Note 2)	-0.5V to +7.0V
Input Current (Note 2)	-30 mA to +5.0 mA
Voltage Applied to Output in HIGH State (with V _{CC} = 0V)	
Standard Output	-0.5V to V _{CC}
TRI-STATE Output	-0.5V to +5.5V

Current Applied to Output in LOW State (Max)	Twice the Rated I _{OL} (mA)
ESD Last Passing Voltage (Min)	4000V

Note 1: Absolute maximum ratings are values beyond which the device may be damaged or have its useful life impaired. Functional operation under these conditions is not implied.

Note 2: Either voltage limit or current limit is sufficient to protect inputs.

Recommended Operating Conditions

Free Air Ambient Temperature	
Commercial	0°C to +70°C
Supply Voltage	
Commercial	+4.5V to +5.5V

DC Electrical Characteristics

Symbol	Parameter	74FR			Units	V _{CC}	Conditions
		Min	Typ	Max			
V _{IH}	Input HIGH Voltage	2.0			V		Recognized as a HIGH Signal
V _{IL}	Input LOW Voltage			0.8	V		Recognized as a LOW Signal
V _{CD}	Input Clamp Diode Voltage			-1.2	V	Min	I _{IN} = -18 mA
V _{OH}	Output HIGH Voltage	2.4 2.0	2.8 2.44		V	Min	I _{OH} = -3 mA I _{OH} = -15 mA (A _n , B _n)
V _{OL}	Output LOW Voltage		0.45	0.55	V	Min	I _{OL} = 64 mA (A _n , B _n)
I _{IH}	Input HIGH Current			5.0	μA	Max	V _{IN} = 2.7V
I _{BVI}	Input HIGH Current Break-Down Test			7.0	μA	Max	V _{IN} = 7.0V (\overline{OE}_n , T/ \overline{R}_n)
I _{BVIT}	Input HIGH Current Breakdown Test (I/O)			0.1	mA	Max	V _{IN} = 5.5V (A _n , B _n)
I _{IL}	Input LOW Current			-150 -100	μA μA	Max Max	V _{IN} = 0.5V (T/ \overline{R}_n , A _n , B _n) V _{IN} = 0.5V (\overline{OE}_n)

DC Electrical Characteristics (Continued)

Symbol	Parameter	74FR			Unit	V _{CC}	Conditions
		Min	Typ	Max			
I _{OS}	Output Short-Circuit Current	-100		-225	mA	Max	V _{OUT} = 0V (A _n , B _n)
I _{IH} + I _{OZH}	Output Leakage Current		0	25	μA	Max	V _{OUT} = 2.7V (A _n , B _n)
I _{IL} + I _{OZL}	Output Leakage Current		-20	-150	μA	Max	V _{OUT} = 0.5V (A _n , B _n)
I _{CEX}	Output High Leakage Current			50	μA	Max	V _{OUT} = V _{CC} (A _n , B _n)
V _{ID}	Input Leakage Test	4.75			V	0.0	I _{ID} = 1.9 μA All Other Pins Grounded
I _{OD}	Output Circuit Leakage Current			3.75	μA	0.0	V _{IOD} = 150 mV All Other Pins Grounded
I _{ZZ}	Bus Drainage Test			100	μA	0.0	V _{OUT} = 5.25V (A _n , B _n)
I _{CCH}	Power Supply Current		70	105	mA	Max	V _O = HIGH
I _{CCL}	Power Supply Current		127	165	mA	Max	V _O = LOW
I _{CCZ}	Power Supply Current		71	105	mA	Max	V _O = HIGH Z
C _{IN}	Input Capacitance		8.0		pF	5.0	OE, T/R
			17.0		pF	5.0	A _n , B _n

AC Electrical Characteristics

Symbol	Parameter	74FR			74FR		Unit
		T _A = +25°C V _{CC} = +5.0V C _L = 50 pF			T _A , V _{CC} = Comm V _{CC} = Comm C _L = 50 pF		
		Min	Typ	Max	Min	Max	
t _{PLH} t _{PHL}	Propagation Delay A _n to B _n or B _n to A _n	1.3	2.7	4.3	1.3	4.3	ns
t _{PZH} t _{PZL}	Output Enable Time	3.9	6.9	13.9	3.9	13.9	ns
t _{PHZ} t _{PLZ}	Output Disable Time	1.8	3.9	6.3	1.8	6.3	ns

Extended AC Characteristics

Symbol	Parameter	74FR		74FR		Unit
		T _A = Comm V _{CC} = Comm C _L = 50 pF 16 Outputs Switching (Note 2)		T _A = Comm V _{CC} = Comm C _L = 250 pF (Note 3)		
		Min	Max	Min	Max	
t _{PLH} t _{PHL}	Propagation Delay A _n to B _n or B _n to A _n	1.3	5.8	3.2	8.2	ns
t _{PZH} t _{PZL}	Output Enable Time	3.9	14.6			ns
t _{PHZ} t _{PLZ}	Output Disable Time	1.8	6.3			ns
t _{OSSL} (Note 1)	Pin to Pin Skew for HL Transitions		TBD			ns
t _{OSLH} (Note 1)	Pin to Pin Skew for LH Transitions		TBD			ns
t _{OST} (Note 1)	Pin to Pin Skew for HL/LH Transitions		TBD			ns

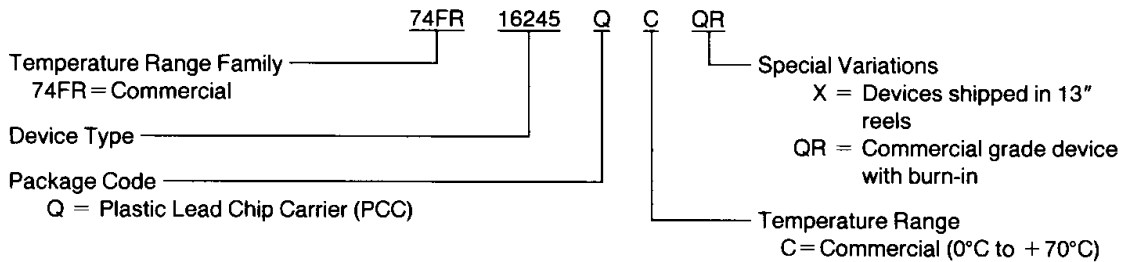
Note 1: Skew is defined as the absolute value of the difference between the actual propagation delays for any two outputs of the same device. The specification applies to any outputs switching HIGH to LOW (t_{OSSL}) LOW to HIGH (t_{OSLH}), or any combination of HIGH to LOW and/or LOW to HIGH (t_{OST}).

Note 2: This specification is guaranteed but not tested. The limits apply to propagation delays for all paths described switching in phase, i.e., all LOW-to-HIGH, HIGH-to-LOW, TRI-STATE-to-HIGH, etc.

Note 3: These specifications guaranteed but not tested. The limits represent propagation delays with 250 pF load capacitors in place of the 50 pF load capacitors in the standard AC load. This specification pertains to single output switching only.

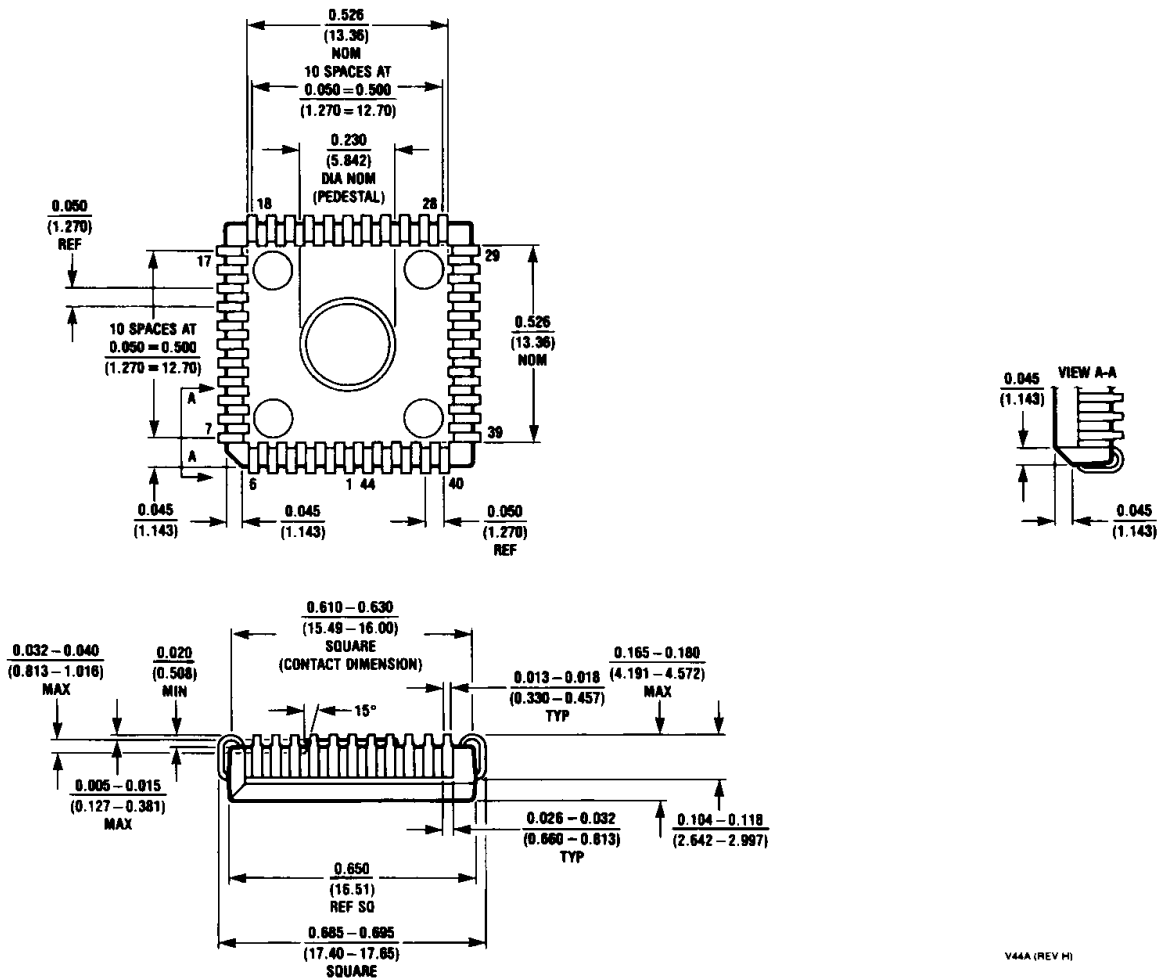
Ordering Information

The device number is used to form part of a simplified purchasing code where the package type and temperature range are defined as follows:



Physical Dimensions inches (millimeters)

Lit # 114635



**44-Lead Plastic Chip Carrier (Q)
NS Package Number V44A**

LIFE SUPPORT POLICY

NATIONAL'S PRODUCTS ARE NOT AUTHORIZED FOR USE AS CRITICAL COMPONENTS IN LIFE SUPPORT DEVICES OR SYSTEMS WITHOUT THE EXPRESS WRITTEN APPROVAL OF THE PRESIDENT OF NATIONAL SEMICONDUCTOR CORPORATION. As used herein:

1. Life support devices or systems are devices or systems which, (a) are intended for surgical implant into the body, or (b) support or sustain life, and whose failure to perform, when properly used in accordance with instructions for use provided in the labeling, can be reasonably expected to result in a significant injury to the user.
2. A critical component is any component of a life support device or system whose failure to perform can be reasonably expected to cause the failure of the life support device or system, or to affect its safety or effectiveness.

MAR 1 2 1991



National Semiconductor Corporation
2900 Semiconductor Drive
P.O. Box 58090
Santa Clara, CA 95052-8090
Tel: (408) 721-5000
TWX: (910) 339-9240

National Semiconductor GmbH
Industriestrasse 10
D-8080 Furstenfeldbruck
West Germany
Tel: (0-81-41) 103-0
Telex: 527-649
Fax: (08141) 103554

National Semiconductor Japan Ltd.
Sanseido Bldg. 5F
4-15 Nishi Shinjuku
Shinjuku-Ku,
Tokyo 160, Japan
Tel: 3-299-7001
FAX: 3-299-7000

National Semiconductor Hong Kong Ltd.
Suite 513, 5th Floor
Chinachem Golden Plaza,
77 Moody Road, Tsimshatsui East,
Kowloon, Hong Kong
Tel: 3-7231290
Telex: 52996 NSSEA HX
Fax: 3-3112536

National Semicondutores Do Brasil Ltda.
Av. Brig. Faria Lima, 1383
6.0 Andor-Conj. 62
01451 Sao Paulo, SP, Brasil
Tel: (55/11) 212-5066
Fax: (55/11) 211-1181 NSBR BR

National Semiconductor (Australia) PTY. Ltd.
1st Floor, 441 St. Kilda Rd.
Melbourne, 3004
Victoria, Australia
Tel: (03) 267-5000
Fax: 61-3-2677458

This datasheet has been downloaded from:

www.DatasheetCatalog.com

Datasheets for electronic components.

National Semiconductor was acquired by Texas Instruments.

http://www.ti.com/corp/docs/investor_relations/pr_09_23_2011_national_semiconductor.html

This file is the datasheet for the following electronic components:

74FR16245Q - <http://www.ti.com/product/74fr16245q?HQS=TI-null-null-dscatalog-df-pf-null-ww>



LittleDiode supplies new, hard to find or obsolete electronic components and semiconductors all over the world.

With over two million different components listed you are sure to find the part you need.

Feel free to visit us today at our online store:

LittleDiode.com

Looking forward to providing you with the best possible service.