

DATA SHEET

74F2240

Octal inverter buffer with 30Ω equivalent output termination (3-State)

74F2241

Octal buffer with 30Ω equivalent output termination (3-State)

Product specification

1990 Dec 13

IC15 Data Handbook

Octal buffers

74F2240, 74F2241

FEATURES

- Octal bus interface
- 30Ω output termination ideal for driving DRAM
- 15mA source current

DESCRIPTION

The 74F2240 and 74F2241 are octal buffers that are ideal for driving dynamic DRAM with impedance matching. The outputs are all capable of sinking 5mA and sourcing up to 15mA. The device features two output enables, each controlling four of the 3-state outputs.

TYPE	TYPICAL PROPAGATION DELAY	TYPICAL SUPPLY CURRENT (TOTAL)
74F2240	4.3ns	37mA
74F2241	4.5ns	30mA

ORDERING INFORMATION

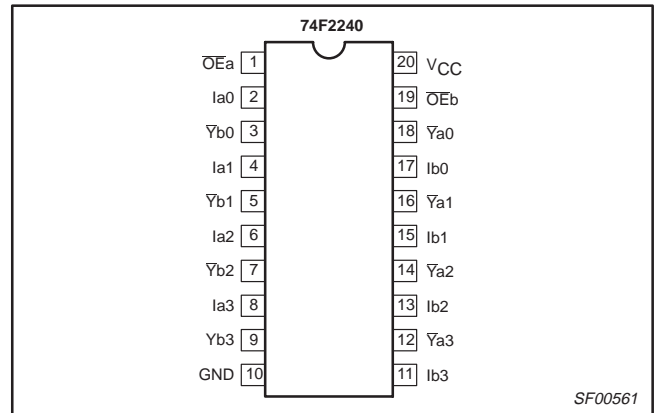
DESCRIPTION	ORDER CODE	PKG DWG #
	COMMERCIAL RANGE V _{CC} = 5V ±10%, T _{amb} = 0°C to +70°C	
20-pin plastic DIP	N74F2240N, N74F2241N	SOT146-1
20-pin plastic SOL	N74F2240D, N74F2241D	SOT163-1

INPUT AND OUTPUT LOADING AND FAN-OUT TABLE

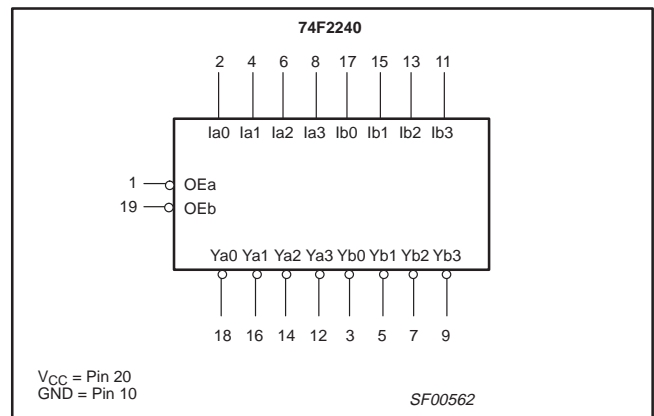
PINS	DESCRIPTION	74F (U.L.) HIGH/LOW	LOAD VALUE HIGH/LOW
I _{an} , I _{bn}	Data inputs	1.0/0.33	20μA/0.2mA
$\overline{OE}a$, $\overline{OE}b$	Output enable inputs (active Low)	1.0/0.33	20μA/0.2mA
OE _b	Output enable input (74F2241)	1.0/0.33	20μA/0.2mA
Y _{an} , Y _{bn}	Data outputs (74F2241)	750/8.33	15mA/5mA
Y _{an} , Y _{bn}	Data outputs (74F2240)	750/8.33	15mA/5mA

NOTE: One (1.0) FAST unit load is defined as: 20μA in the High state and 0.6mA in the Low state.

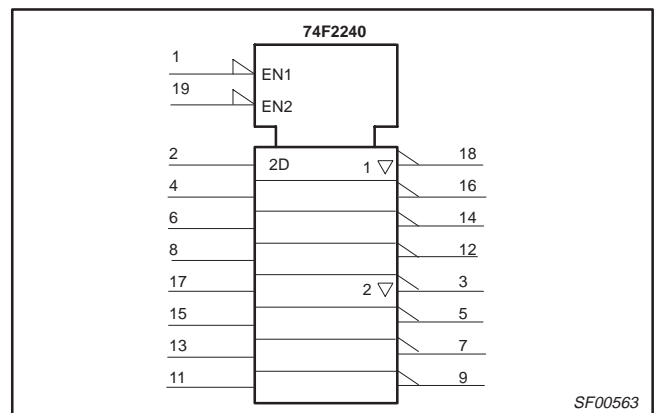
PIN CONFIGURATION



LOGIC SYMBOL



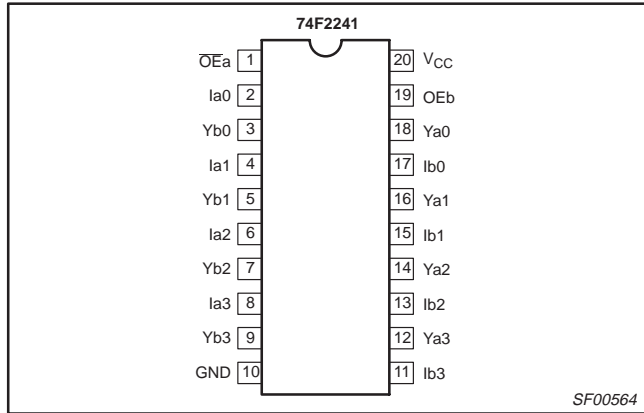
IEC/IEEE SYMBOL



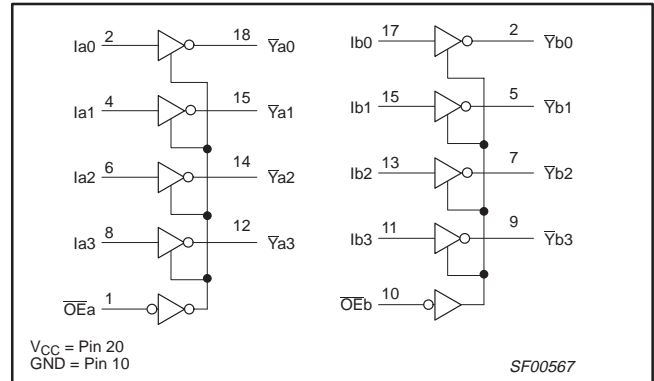
Octal buffers

74F2240, 74F2241

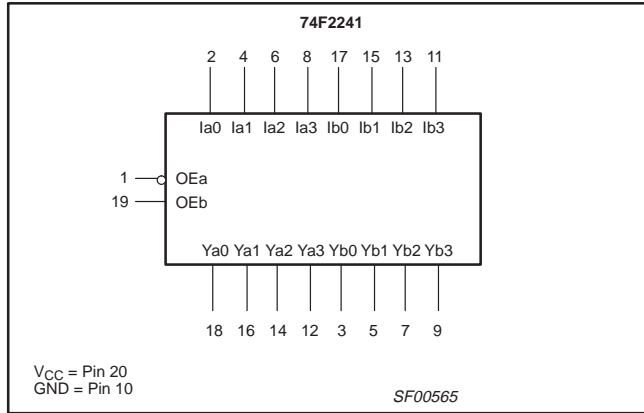
PIN CONFIGURATION



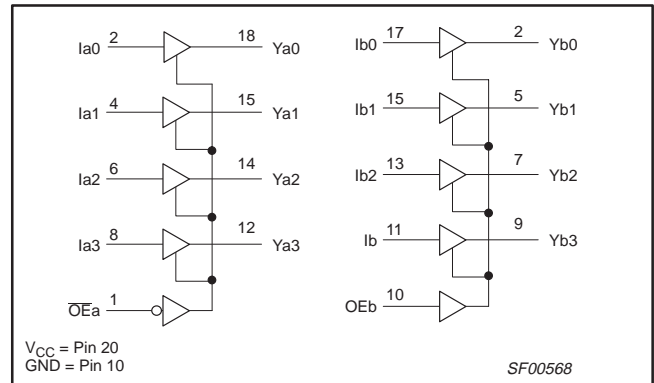
LOGIC DIAGRAM FOR 74F2240



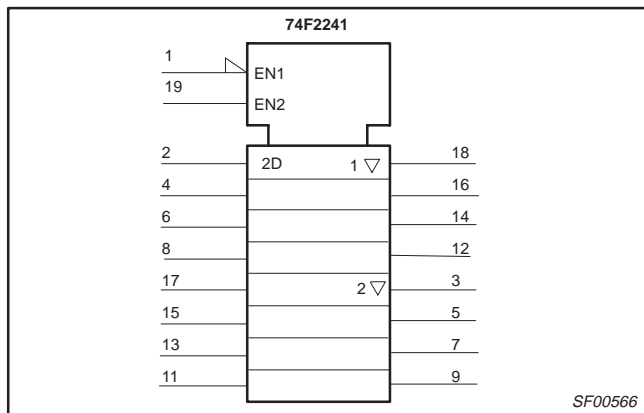
LOGIC SYMBOL



LOGIC DIAGRAM FOR 74F2241



IEC/IEEE SYMBOL



FUNCTION TABLE FOR 74F2240

INPUTS				OUTPUTS	
OEa	Ia	OEb	Ib	Ya	Yb
L	L	L	L	H	H
L	H	L	H	L	L
H	X	H	X	Z	Z

Notes to function table for 74F2240

- H = High voltage level
- L = Low voltage level
- X = Don't care
- Z = High impedance "off" state

FUNCTION TABLE FOR 74F2241

INPUTS				OUTPUTS	
OEa	Ia	OEb	Ib	Ya	Yb
L	L	H	L	L	L
L	H	H	H	H	H
H	X	L	X	Z	Z

Notes to function table for 74F2241

- H = High voltage level
- L = Low voltage level
- X = Don't care
- Z = High impedance "off" state

Octal buffers

74F2240, 74F2241

ABSOLUTE MAXIMUM RATINGS

(Operation beyond the limit set forth in this table may impair the useful life of the device. Unless otherwise noted these limits are over the operating free air temperature range.)

SYMBOL	PARAMETER	RATING	UNIT
V_{CC}	Supply voltage	-0.5 to +7.0	V
V_{IN}	Input voltage	-0.5 to +7.0	V
I_{IN}	Input current	-30 to +5	mA
V_{OUT}	Voltage applied to output in high output state	-0.5 to V_{CC}	V
I_{OUT}	Current applied to output in low output state	10	mA
T_{amb}	Operating free air temperature range	0 to +70	°C
T_{stg}	Storage temperature range	-65 to +150	°C

RECOMMENDED OPERATING CONDITIONS

SYMBOL	PARAMETER	LIMITS			UNIT
		MIN	NOM	MAX	
V_{CC}	Supply voltage	4.5	5.0	5.5	V
V_{IH}	High-level input voltage	2.0			V
V_{IL}	Low-level input voltage			0.8	V
I_{Ik}	Input clamp current			-18	mA
I_{OH}	High-level output current			-15	mA
I_{OL}	Low-level output current			5	mA
T_{amb}	Operating free air temperature range	0		+70	°C

Octal buffers

74F2240, 74F2241

DC ELECTRICAL CHARACTERISTICS

(Over recommended operating free-air temperature range unless otherwise noted.)

SYMBOL	PARAMETER		TEST CONDITIONS ¹			LIMITS			UNIT
						MIN	TYP ²	MAX	
V _{OH}	High-level output voltage		V _{CC} = MIN, V _{IL} = MAX, V _{IH} = MIN	I _{OH} = -3mA	±10%V _C	2.4			V
					±5%V _{CC}	2.7	3.4		V
			I _{OH} = -15mA	±10%V _C	2.0			V	
				±5%V _{CC}	2.0			V	
V _{OL}	Low-level output voltage		V _{CC} = MIN, V _{IL} = MAX, V _{IH} = MIN,	I _{OL} = MAX	±10%V _C			0.50	V
					±5%V _{CC}		0.42	0.50	V
V _{IK}	Input clamp voltage		V _{CC} = MIN, I _I = I _{IK}				-0.73	-1.2	V
I _I	Input current at maximum input voltage		V _{CC} = MAX, V _I = 7.0V					100	μA
I _{IH}	High-level input current		V _{CC} = MAX, V _I = 2.7V					20	μA
I _{IL}	Low-level input current		V _{CC} = MAX, V _I = 0.5V					-0.2	mA
I _{ozH}	Off-state output current, high-level voltage applied		V _{CC} = MAX, V _O = 2.7V					50	μA
I _{ozL}	Off-state output current, low-level voltage applied		V _{CC} = MAX, V _O = 0.5V					-50	μA
I _{OS}	Short-circuit output current ³		V _{CC} = MAX			-60		-150	mA
I _{CC}	Supply current (total)		74F2240	V _{CC} = MAX	I _{CCH}		25	35	mA
					I _{CCL}		53	75	mA
					I _{CCZ}		35	45	mA
			74F2241		I _{CCH}		19	30	mA
					I _{CCL}		45	65	mA
					I _{CCZ}		27	40	mA

NOTES:

- For conditions shown as MIN or MAX, use the appropriate value specified under recommended operating conditions for the applicable type.
- All typical values are at V_{CC} = 5V, T_{amb} = 25°C.
- Not more than one output should be shorted at a time. For testing I_{OS}, the use of high-speed test apparatus and/or sample-and-hold techniques are preferable in order to minimize internal heating and more accurately reflect operational values. Otherwise, prolonged shorting of a high output may raise the chip temperature well above normal and thereby cause invalid readings in other parameter tests. In any sequence of parameter tests, I_{OS} tests should be performed last.

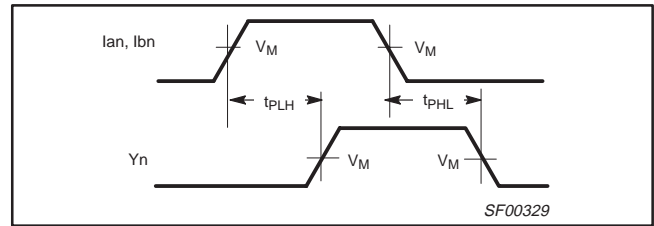
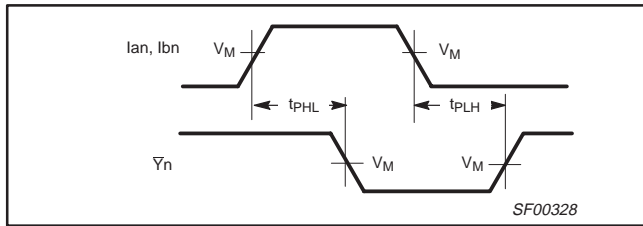
AC ELECTRICAL CHARACTERISTICS

SYMBOL	PARAMETER		TEST CONDITION	LIMITS					UNIT	
				T _{amb} = +25°C			T _{amb} = 0°C to +70°C			
				V _{CC} = +5.0V			V _{CC} = +5.0V ± 10%			
				C _L = 50pF, R _L = 500Ω			C _L = 50pF, R _L = 500Ω			
			MIN	TYP	MAX	MIN	MAX			
t _{PLH} t _{PHL}	Propagation delay I _{an} , I _{bn} to Y _n		Waveform 1	3.0	5.0	7.0	2.5	8.0	ns	
				2.0	3.5	5.5	2.0	6.0		
t _{PZH} t _{PZL}	Output enable time to high or low level		74F2240	Waveform 3	3.0	4.5	7.0	2.5	8.0	ns
				Waveform 4	3.5	5.0	8.0	3.0	9.0	
t _{PHZ} t _{PLZ}	Output disable time from high or low level		74F2240	Waveform 3	2.0	3.5	6.5	1.5	7.0	ns
				Waveform 4	1.0	2.5	5.5	1.0	5.5	
t _{PLH} t _{PHL}	Propagation delay I _{an} , I _{bn} to Y _n		74F2241	Waveform 2	3.0	4.5	7.0	2.5	8.0	ns
							2.5	4.5	6.5	
t _{PZH} t _{PZL}	Output enable time to high or low level		74F2241	Waveform 3	3.0	5.0	7.0	2.0	8.0	ns
				Waveform 4	3.5	5.5	7.5	3.0	8.5	
t _{PHZ} t _{PLZ}	Output disable time from high or low level		74F2241	Waveform 3	2.0	4.0	6.0	1.5	7.0	ns
				Waveform 4	1.5	3.5	6.0	1.0	6.5	

Octal buffers

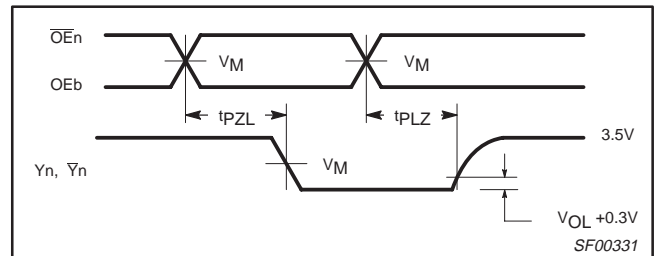
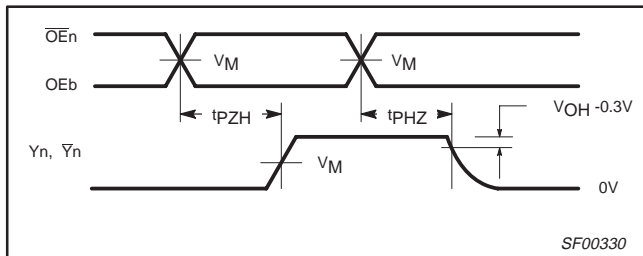
74F2240, 74F2241

AC WAVEFORMS



Waveform 1. Propagation delay for inverting outputs

Waveform 2. Propagation delay for non-inverting outputs



Waveform 3. 3-state output enable time to high level and output disable time from high level

Waveform 4. 3-state output enable time to low level and output disable time from low level

NOTES:

For all waveforms, $V_M = 1.5V$.

The shaded areas indicate when the input is permitted to change for predictable output performance.

TEST CIRCUIT AND WAVEFORMS

Test Circuit for Open Collector Outputs

TEST	SWITCH
t_{PLZ}	closed
t_{PZL}	closed
All other	open

DEFINITIONS:
 R_L = Load resistor; see AC electrical characteristics for value.
 C_L = Load capacitance includes jig and probe capacitance; see AC electrical characteristics for value.
 R_T = Termination resistance should be equal to Z_{OUT} of pulse generators.

Input Pulse Definition

family	INPUT PULSE REQUIREMENTS					
	amplitude	V_M	rep. rate	t_w	t_{TLH}	t_{THL}
74F	3.0V	1.5V	1MHz	500ns	2.5ns	2.5ns

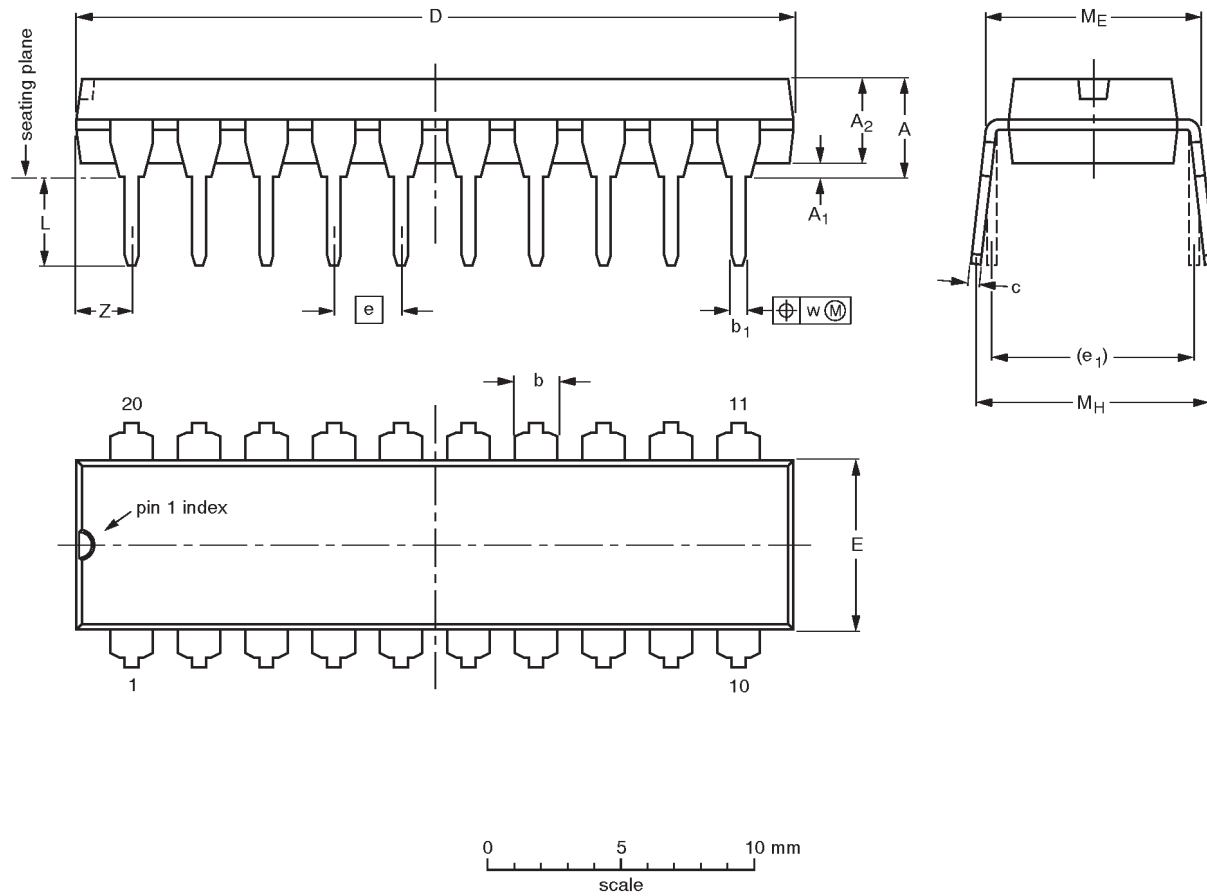
SF00128

Octal buffers

74F2240/74F2241

DIP20: plastic dual in-line package; 20 leads (300 mil)

SOT146-1



DIMENSIONS (inch dimensions are derived from the original mm dimensions)

UNIT	A max.	A ₁ min.	A ₂ max.	b	b ₁	c	D ⁽¹⁾	E ⁽¹⁾	e	e ₁	L	M _E	M _H	w	Z ⁽¹⁾ max.
mm	4.2	0.51	3.2	1.73 1.30	0.53 0.38	0.36 0.23	26.92 26.54	6.40 6.22	2.54	7.62	3.60 3.05	8.25 7.80	10.0 8.3	0.254	2.0
inches	0.17	0.020	0.13	0.068 0.051	0.021 0.015	0.014 0.009	1.060 1.045	0.25 0.24	0.10	0.30	0.14 0.12	0.32 0.31	0.39 0.33	0.01	0.078

Note

1. Plastic or metal protrusions of 0.25 mm maximum per side are not included.

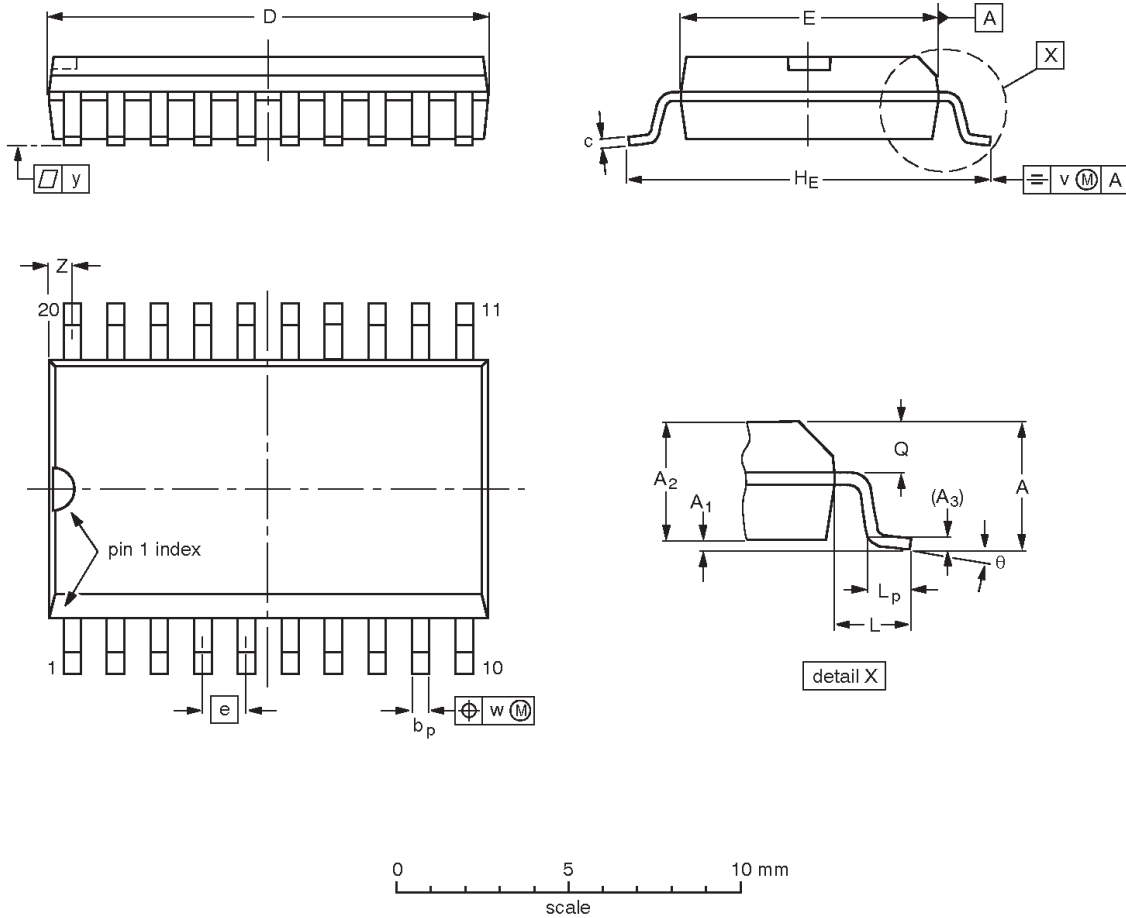
OUTLINE VERSION	REFERENCES				EUROPEAN PROJECTION	ISSUE DATE
	IEC	JEDEC	EIAJ			
SOT146-1			SC603			92-11-17 95-05-24

Octal buffers

74F2240/74F2241

SO20: plastic small outline package; 20 leads; body width 7.5 mm

SOT163-1



DIMENSIONS (inch dimensions are derived from the original mm dimensions)

UNIT	A max.	A ₁	A ₂	A ₃	b _p	c	D ⁽¹⁾	E ⁽¹⁾	e	H _E	L	L _p	Q	v	w	y	Z ⁽¹⁾	θ
mm	2.65	0.30 0.10	2.45 2.25	0.25	0.49 0.36	0.32 0.23	13.0 12.6	7.6 7.4	1.27	10.65 10.00	1.4	1.1 0.4	1.1 1.0	0.25	0.25	0.1	0.9 0.4	8° 0°
inches	0.10	0.012 0.004	0.096 0.089	0.01	0.019 0.014	0.013 0.009	0.51 0.49	0.30 0.29	0.050	0.419 0.394	0.055	0.043 0.016	0.043 0.039	0.01	0.01	0.004	0.035 0.016	

Note

1. Plastic or metal protrusions of 0.15 mm maximum per side are not included.

OUTLINE VERSION	REFERENCES				EUROPEAN PROJECTION	ISSUE DATE
	IEC	JEDEC	EIAJ			
SOT163-1	075E04	MS-013AC				95-01-24 97-05-22

Octal buffers

74F2240/74F2241

NOTES

Octal buffers

74F2240/74F2241

Data sheet status

Data sheet status	Product status	Definition [1]
Objective specification	Development	This data sheet contains the design target or goal specifications for product development. Specification may change in any manner without notice.
Preliminary specification	Qualification	This data sheet contains preliminary data, and supplementary data will be published at a later date. Philips Semiconductors reserves the right to make changes at any time without notice in order to improve design and supply the best possible product.
Product specification	Production	This data sheet contains final specifications. Philips Semiconductors reserves the right to make changes at any time without notice in order to improve design and supply the best possible product.

[1] Please consult the most recently issued datasheet before initiating or completing a design.

Definitions

Short-form specification — The data in a short-form specification is extracted from a full data sheet with the same type number and title. For detailed information see the relevant data sheet or data handbook.

Limiting values definition — Limiting values given are in accordance with the Absolute Maximum Rating System (IEC 134). Stress above one or more of the limiting values may cause permanent damage to the device. These are stress ratings only and operation of the device at these or at any other conditions above those given in the Characteristics sections of the specification is not implied. Exposure to limiting values for extended periods may affect device reliability.

Application information — Applications that are described herein for any of these products are for illustrative purposes only. Philips Semiconductors make no representation or warranty that such applications will be suitable for the specified use without further testing or modification.

Disclaimers

Life support — These products are not designed for use in life support appliances, devices or systems where malfunction of these products can reasonably be expected to result in personal injury. Philips Semiconductors customers using or selling these products for use in such applications do so at their own risk and agree to fully indemnify Philips Semiconductors for any damages resulting from such application.

Right to make changes — Philips Semiconductors reserves the right to make changes, without notice, in the products, including circuits, standard cells, and/or software, described or contained herein in order to improve design and/or performance. Philips Semiconductors assumes no responsibility or liability for the use of any of these products, conveys no license or title under any patent, copyright, or mask work right to these products, and makes no representations or warranties that these products are free from patent, copyright, or mask work right infringement, unless otherwise specified.

Philips Semiconductors
811 East Arques Avenue
P.O. Box 3409
Sunnyvale, California 94088-3409
Telephone 800-234-7381

© Copyright Philips Electronics North America Corporation 1998
All rights reserved. Printed in U.S.A.

print code

Date of release: 10-98

Document order number:

9397-750-05197

Let's make things better.



LittleDiode supplies new, hard to find or obsolete electronic components and semiconductors all over the world.

With over two million different components listed you are sure to find the part you need.

Feel free to visit us today at our online store:

LittleDiode.com

Looking forward to providing you with the best possible service.