

16 × 4 Synchronous FIFO (3-State)

74F224

FEATURES

- Independent synchronous inputs and outputs
- Organized as 16 words of 4 bits
- DC to 50MHz data rate
- 3-State outputs
- Cascadable in word-width and depth direction

DESCRIPTION

This 64-bit active element First-In-First-Out (FIFO) is a monolithic Schottky-clamped transistor-transistor logic (STTL) array organized as 16 words of 4-bits each. A memory system using the 74F224 can be easily expanded in multiples of 15m+1 words or of 4n bits, or both (where n is the number of packages in the horizontal array).

However, an external gating is required (see Figure 1). For longer words using 74F224, the IR signals of the first-rank packages and OR signals of the last-rank packages must be ANDed for proper synchronization. The 3-State outputs controlled by a single input (OE) make bus connection and multiplexing easy.

TYPE	TYPICAL f_{max}	TYPICAL SUPPLY CURRENT (TOTAL)
74F224	50MHz	90mA

ORDERING INFORMATION

DESCRIPTION	ORDER CODE	DRAWING NUMBER
	COMMERCIAL RANGE $V_{CC} = 5V \pm 10\%$, $T_{amb} = 0^{\circ}C$ to $+70^{\circ}C$	
16-pin plastic Dual In-line Package	N74F224N	0406C
16-pin plastic Small Outline Large	N74F224D	0171B

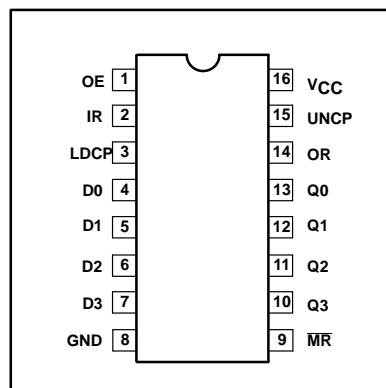
INPUT AND OUTPUT LOADING AND FAN OUT TABLE

PINS	DESCRIPTION	74F (U.L.) HIGH/LOW	LOAD VALUE HIGH/LOW
LDCP	Load clock input	1.0/1.0	20μA/0.6mA
D0 – D3	Data inputs	1.0/1.0	20μA/0.6mA
OE	Output enable input (active high)	1.0/1.0	20μA/0.6mA
UNCP	Unload clock input	1.0/1.0	20μA/0.6mA
MR	Master reset input (active low)	1.0/1.0	20μA/0.6mA
IR	Input ready output	50/33	1.0mA/20mA
Q0 – Q3	Data outputs	50/33	1.0mA/20mA
OR	Output ready output	50/33	1.0mA/20mA

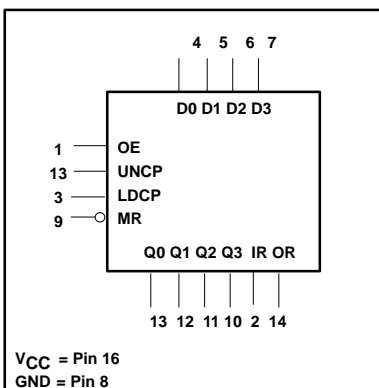
NOTE TO INPUT AND OUTPUT LOADING AND FAN OUT TABLE

1. One (1.0) FAST unit load is defined as: 20μA in the high state and 0.6mA in the low state.

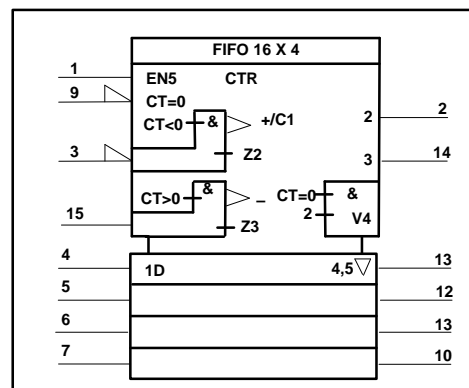
PIN CONFIGURATION



LOGIC SYMBOL



IED/IEEE SYMBOL





LittleDiode supplies new, hard to find or obsolete electronic components and semiconductors all over the world.

With over two million different components listed you are sure to find the part you need.

Feel free to visit us today at our online store:

LittleDiode.com

Looking forward to providing you with the best possible service.