

DATA SHEET

For a complete data sheet, please also download:

- The IC06 74HC/HCT/HCU/HCMOS Logic Family Specifications
- The IC06 74HC/HCT/HCU/HCMOS Logic Package Information
- The IC06 74HC/HCT/HCU/HCMOS Logic Package Outlines

74HC133 13-input NAND gate

Product specification
File under Integrated Circuits, IC06

September 1993

13-input NAND gate

74HC133

FEATURES

- Output capability: standard
- I_{CC} category: SSI

GENERAL DESCRIPTION

The HC133 is an high-speed Si-gate CMOS device and is pin compatible with low power Schottky TTL (LSTTL). It is specified in compliance with JEDEC standard no. 7A.

The 74HC133 provides the 13-input NAND function.

QUICK REFERENCE DATA

GND = 0 V; $T_{amb} = 25\text{ }^{\circ}\text{C}$; $t_r = t_f = 6\text{ ns}$

SYMBOL	PARAMETER	CONDITIONS	TYPICAL	UNIT
t_{PHL}/t_{PLH}	propagation delay A..M to Y	$C_L = 15\text{ pF}$; $V_{CC} = 5\text{ V}$	9	ns
C_I	input capacitance		3.5	pF
C_{PD}	power dissipation per gate	notes 1 and 2	19	pF

Notes to the quick reference data

1. C_{PD} is used to determine the dynamic power dissipation (P_D in μW)

$$P_D = C_{PD} \times V_{CC}^2 \times f_i + \sum (C_L \times V_{CC}^2 \times f_o) \text{ where:}$$

f_i = input frequency in MHz; C_L = output load capacitance in pF;

f_o = output frequency in MHz; V_{CC} = supply voltage in V;

$\sum (C_L \times V_{CC}^2 \times f_o)$ = sum of the outputs.

2. For HC the condition is $V_I = \text{GND to } V_{CC}$

ORDERING INFORMATION

TYPE NUMBER	PACKAGES			
	PINS	PIN POSITION	MATERIAL	CODE
74HC133N	16	DIL	plastic	SOT38
74HC133D	16	SO	plastic	SOT109A

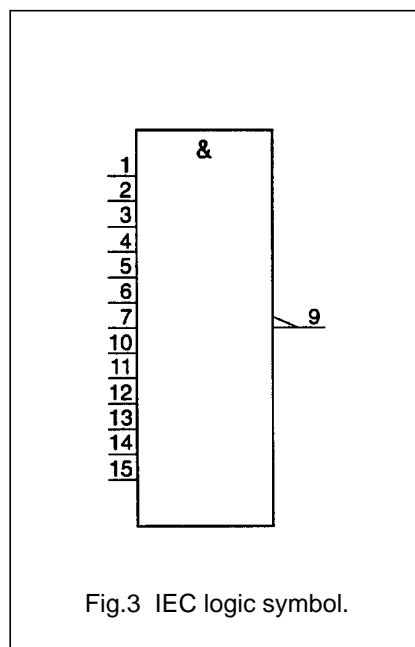
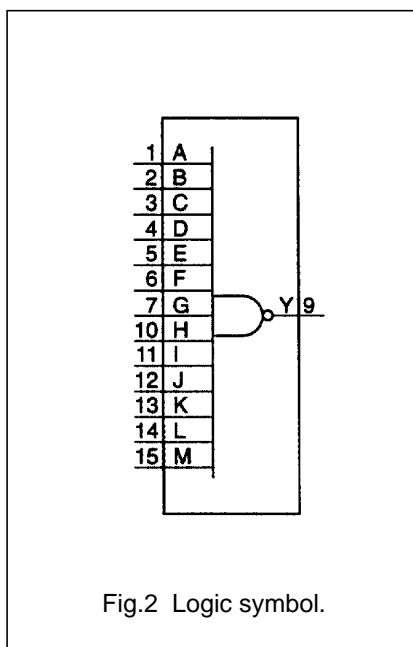
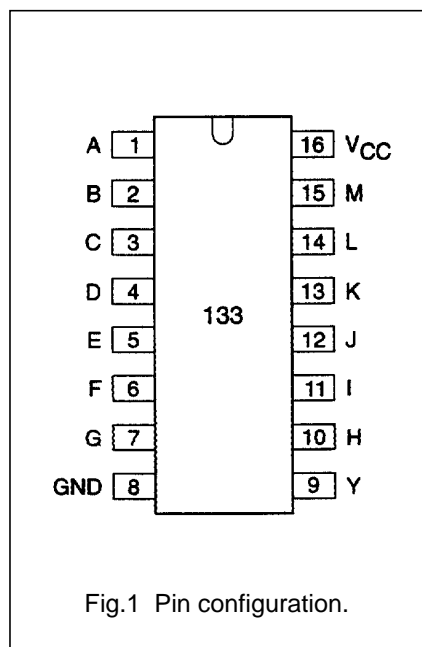
See also *"74HC/HCT/HCU/HCMOS Logic Package Information"*.

13-input NAND gate

74HC133

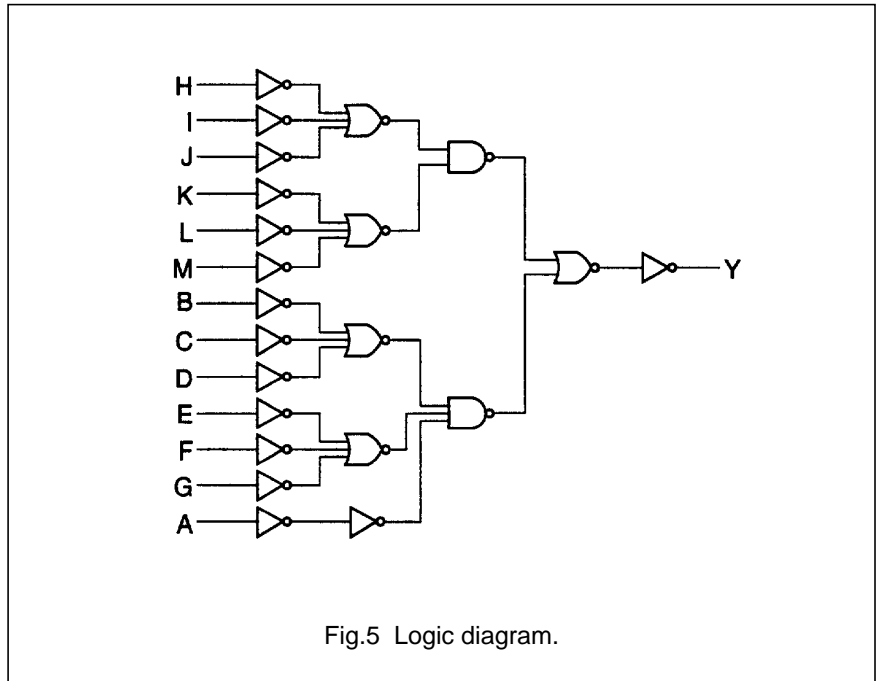
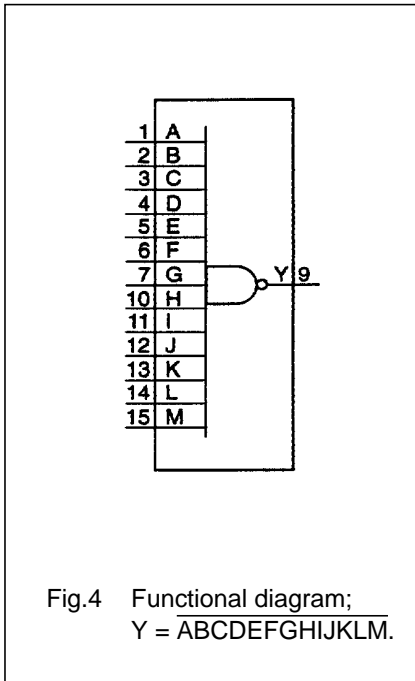
PINNING

PIN NO.	SYMBOL	NAME AND FUNCTION
1..7, 10.. 15	A.. G, H..M	data input
8	GND	ground (0 V)
9	Y	data output
16	V _{CC}	positive supply voltage



13-input NAND gate

74HC133



FUNCTION TABLE

INPUTS													OUTPUT
A	B	C	D	E	F	G	H	I	J	K	L	M	Y
L	X	X	X	X	X	X	X	X	X	X	X	X	H
X	L	X	X	X	X	X	X	X	X	X	X	X	H
X	X	L	X	X	X	X	X	X	X	X	X	X	H
X	X	X	L	X	X	X	X	X	X	X	X	X	H
X	X	X	X	L	X	X	X	X	X	X	X	X	H
X	X	X	X	X	L	X	X	X	X	X	X	X	H
X	X	X	X	X	X	L	X	X	X	X	X	X	H
X	X	X	X	X	X	X	L	X	X	X	X	X	H
X	X	X	X	X	X	X	X	L	X	X	X	X	H
X	X	X	X	X	X	X	X	X	L	X	X	X	H
X	X	X	X	X	X	X	X	X	X	L	X	X	H
X	X	X	X	X	X	X	X	X	X	X	L	X	H
X	X	X	X	X	X	X	X	X	X	X	X	L	H
H	H	H	H	H	H	H	H	H	H	H	H	H	L

Notes

1. H = HIGH voltage level
 L = LOW voltage level
 X = don't care

13-input NAND gate

74HC133

DC CHARACTERISTICS FOR 74HC

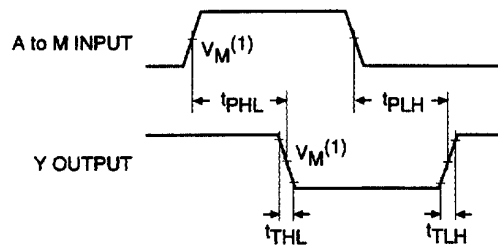
For the DC characteristics see *"74HC/HCT/HCU/HCMOS Logic Family Specifications"*.

Output capability: standard
 I_{CC} category: SSI

AC CHARACTERISTICS FOR 74HC

GND = 0 V; t_f = t_r = 6 ns; C_L = 50 pF

SYMBOL	PARAMETER	T _{amb} (°C)							UNIT	TEST CONDITIONS	
		+25			-40 to +85		-40 to +125			V _{CC} (V)	WAVEFORMS
		MIN.	TYP.	MAX.	MIN.	MAX.	MIN.	MAX.			
t _{PHL} /t _{PLH}	propagation delay A..M to Y	–	36	110	–	140	–	165	ns	2.0 4.5 6.0	Fig.6
t _{THL} /t _{TLH}	output transition time	–	19	75	–	95	–	110	ns	2.0 4.5 6.0	Fig.6
		–	10	19	–	23	–	28			
		–	7	15	–	19	–	22			
		–	6	13	–	16	–	19			



(1) HC: V_M = 50%; V_I = GND to V_{CC}.

Fig.6 Waveforms showing the input (A, B, C, D, E, F, G, H, I, J, K, L, M) to output (Y) propagation delays and the output transition times.

PACKAGE OUTLINES

See *"74HC/HCT/HCU/HCMOS Logic Package Outlines"*.



LittleDiode supplies new, hard to find or obsolete electronic components and semiconductors all over the world.

With over two million different components listed you are sure to find the part you need.

Feel free to visit us today at our online store:

LittleDiode.com

Looking forward to providing you with the best possible service.