

DATA SHEET

For a complete data sheet, please also download:

- The IC06 74HC/HCT/HCU/HCMOS Logic Family Specifications
- The IC06 74HC/HCT/HCU/HCMOS Logic Package Information
- The IC06 74HC/HCT/HCU/HCMOS Logic Package Outlines

74HC/HCT237

**3-to-8 line decoder/demultiplexer
with address latches**

Product specification
File under Integrated Circuits, IC06

December 1990

3-to-8 line decoder/demultiplexer with address latches

74HC/HCT237

FEATURES

- Combines 3-to-8 decoder with 3-bit latch
- Multiple input enable for easy expansion or independent controls
- Active HIGH mutually exclusive outputs
- Output capability: standard
- I_{CC} category: MSI

GENERAL DESCRIPTION

The 74HC/HCT237 are high-speed Si-gate CMOS devices and are pin compatible with low power Schottky TTL (LSTTL). They are specified in compliance with JEDEC standard no. 7A.

The 74HC/HCT237 are 3-to-8 line decoder/demultiplexers with latches at the three address inputs (A_n). The "237" essentially combines the 3-to-8 decoder function with a 3-bit storage latch. When the latch is enabled ($\overline{LE} = \text{LOW}$), the "237" acts as a 3-to-8 active LOW decoder. When the latch enable (\overline{LE}) goes from LOW-to-HIGH, the last data present at the inputs before this transition, is stored in the latches. Further address changes are ignored as long as \overline{LE} remains HIGH.

The output enable input (\overline{E}_1 and E₂) controls the state of the outputs independent of the address inputs or latch operation. All outputs are HIGH unless \overline{E}_1 is LOW and E₂ is HIGH.

The "237" is ideally suited for implementing non-overlapping decoders in 3-state systems and strobed (stored address) applications in bus oriented systems.

QUICK REFERENCE DATA

GND = 0 V; T_{amb} = 25 °C; t_r = t_f = 6 ns

SYMBOL	PARAMETER	CONDITIONS	TYPICAL		UNIT
			HC	HCT	
t _{PHL} / t _{PLH}	propagation delay A _n to Y _n \overline{LE} to Y _n \overline{E}_1 to Y _n E ₂ to Y _n	C _L = 15 pF; V _{CC} = 5 V	16 19 14 14	19 21 17 17	ns ns ns ns
C _I	input capacitance		3.5	3.5	pF
C _{PD}	power dissipation capacitance per package	notes 1 and 2	60	63	pF

Notes

1. C_{PD} is used to determine the dynamic power dissipation (P_D in μW):

$$P_D = C_{PD} \times V_{CC}^2 \times f_i + \sum (C_L \times V_{CC}^2 \times f_o) \text{ where:}$$

f_i = input frequency in MHz

f_o = output frequency in MHz

$\sum (C_L \times V_{CC}^2 \times f_o)$ = sum of outputs

C_L = output load capacitance in pF

V_{CC} = supply voltage in V

2. For HC the condition is V_I = GND to V_{CC}
For HCT the condition is V_I = GND to V_{CC} - 1.5 V

ORDERING INFORMATION

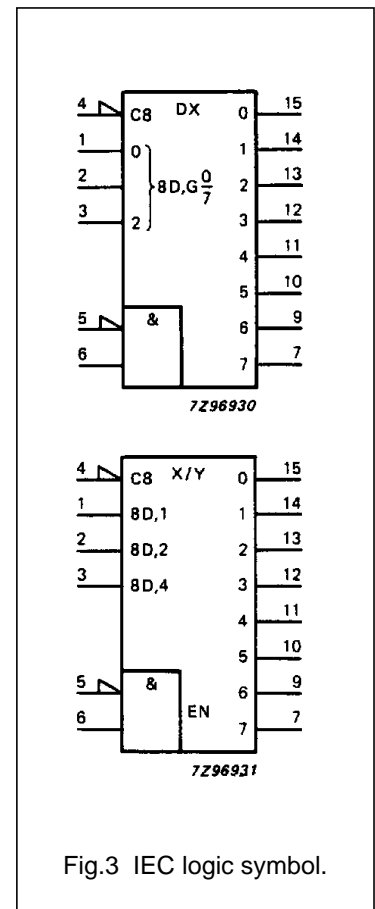
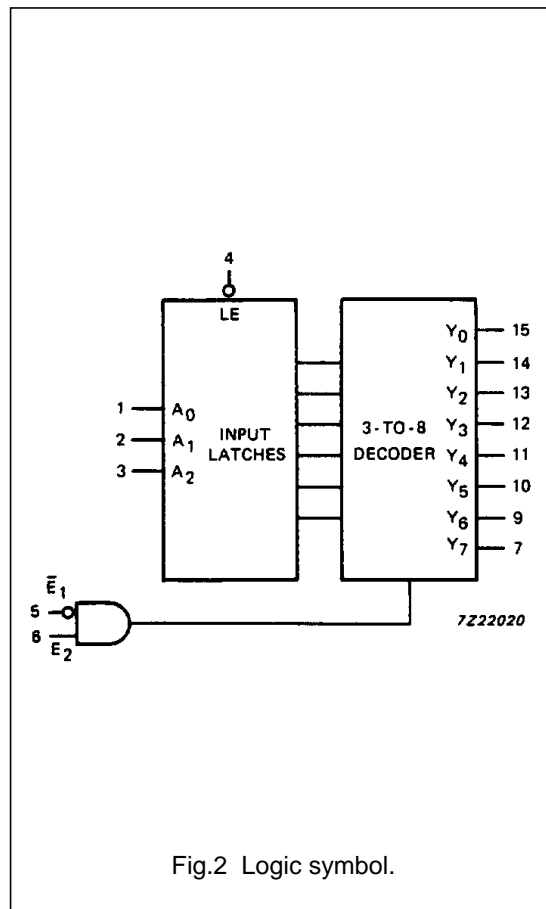
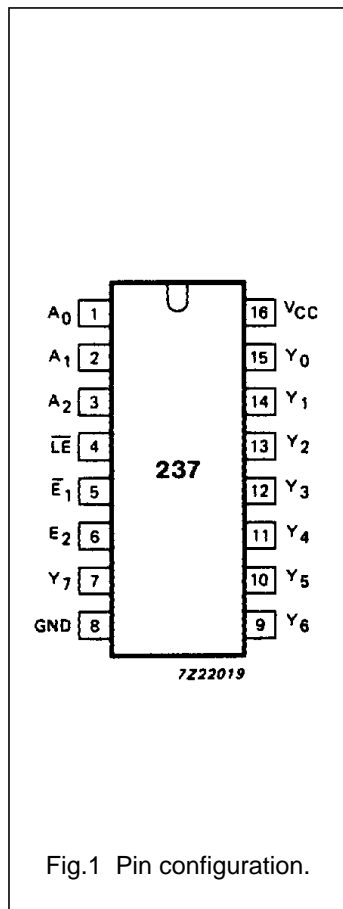
See "74HC/HCT/HCU/HCMOS Logic Package Information".

3-to-8 line decoder/demultiplexer with address latches

74HC/HCT237

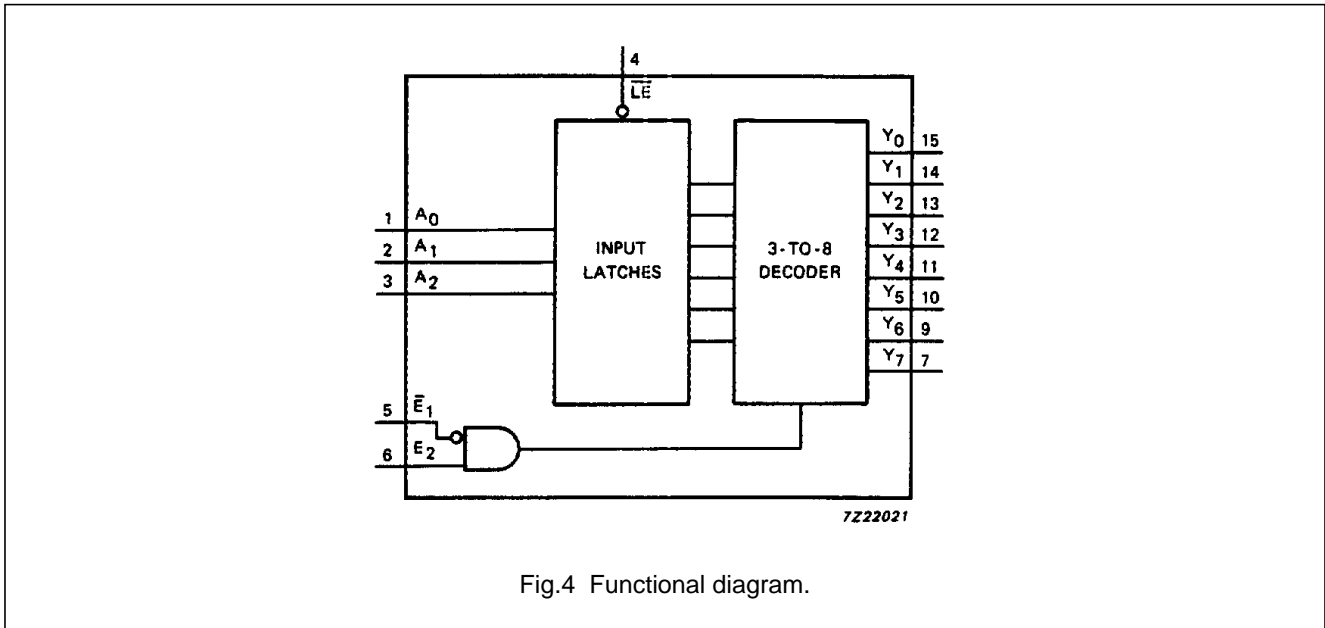
PIN DESCRIPTION

PIN NO.	SYMBOL	NAME AND FUNCTION
1, 2, 3	A ₀ to A ₂	data inputs
4	\overline{LE}	latch enable input (active LOW)
5	\overline{E}_1	data enable input (active LOW)
6	E ₂	data enable input (active HIGH)
8	GND	ground (0 V)
15, 14, 13, 12, 11, 10, 9, 7	Y ₀ to Y ₇	multiplexer outputs
16	V _{CC}	positive supply voltage



3-to-8 line decoder/demultiplexer with address latches

74HC/HCT237



FUNCTION TABLE

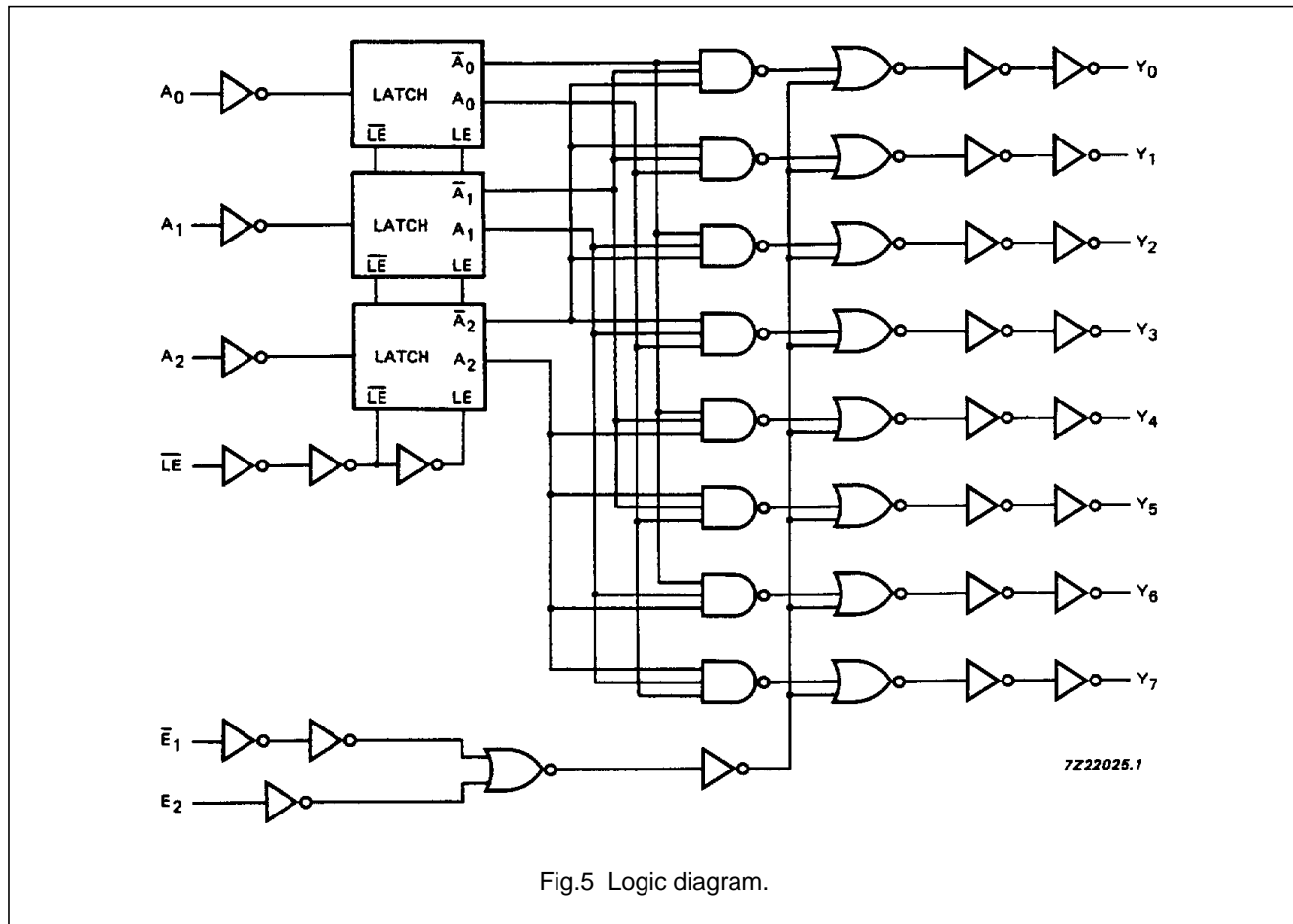
INPUTS						OUTPUTS							
\overline{LE}	\overline{E}_1	E_2	A_0	A_1	A_2	Y_0	Y_1	Y_2	Y_3	Y_4	Y_5	Y_6	Y_7
H	L	H	X	X	X	stable							
X	H	X	X	X	X	L	L	L	L	L	L	L	L
X	X	L	X	X	X	L	L	L	L	L	L	L	L
L	L	H	L	L	L	H	L	L	L	L	L	L	L
L	L	H	H	L	L	L	H	L	L	L	L	L	L
L	L	H	L	H	L	L	L	H	L	L	L	L	L
L	L	H	H	H	L	L	L	L	H	L	L	L	L
L	L	H	L	L	H	L	L	L	L	H	L	L	L
L	L	H	H	L	H	L	L	L	L	L	H	L	L
L	L	H	L	H	H	L	L	L	L	L	L	H	L
L	L	H	H	H	H	L	L	L	L	L	L	L	H

Notes

- H = HIGH voltage level
L = LOW voltage level
X = don't care

3-to-8 line decoder/demultiplexer with address latches

74HC/HCT237



3-to-8 line decoder/demultiplexer with address latches

74HC/HCT237

DC CHARACTERISTICS FOR 74HC

For the DC characteristics see *"74HC/HCT/HCU/HCMOS Logic Family Specifications"*.

Output capability: standard

I_{CC} category: MSI

AC CHARACTERISTICS FOR 74HC

GND = 0 V; t_r = t_f = 6 ns; C_L = 50 pF

SYMBOL	PARAMETER	T _{amb} (°C)							UNIT	TEST CONDITIONS	
		74HC								V _{CC} (V)	WAVEFORMS
		+25			-40 to +85		-40 to +125				
		min.	typ.	max.	min.	max.	min.	max.			
t _{PHL} / t _{PLH}	propagation delay A _n to Y _n		52 19 15	160 32 27		200 40 34		240 48 41	ns	2.0 4.5 6.0	Fig.6
t _{PHL} / t _{PLH}	propagation delay LE to Y _n		61 22 18	190 38 32		240 48 41		285 57 48	ns	2.0 4.5 6.0	Fig.7
t _{PHL} / t _{PLH}	propagation delay E ₁ to Y _n		47 17 14	145 29 25		180 36 31		220 44 38	ns	2.0 4.5 6.0	Fig.7
t _{PHL} / t _{PLH}	propagation delay E ₂ to Y _n		47 17 14	145 29 25		180 36 31		220 44 38	ns	2.0 4.5 6.0	Fig.6
t _{THL} / t _{TLH}	output transition time		19 7 6	75 15 13		95 19 16		110 22 19	ns	2.0 4.5 6.0	Fig.6
t _W	LE pulse width LOW	50 10 9	11 4 3		65 13 11		75 15 13		ns	2.0 4.5 6.0	Fig.8
t _{su}	set-up time A _n to LE	50 10 9	6 2 2		65 13 11		75 15 13		ns	2.0 4.5 6.0	Fig.8
t _h	hold time A _n to LE	30 6 5	3 1 1		40 8 7		45 9 8		ns	2.0 4.5 6.0	Fig.8

3-to-8 line decoder/demultiplexer with address latches

74HC/HCT237

DC CHARACTERISTICS FOR 74HCT

For the DC characteristics see *"74HC/HCT/HCU/HCMOS Logic Family Specifications"*.

Output capability: standard

I_{CC} category: MSI

Note to HCT types

The value of additional quiescent supply current (ΔI_{CC}) for a unit load of 1 is given in the family specifications. To determine ΔI_{CC} per input, multiply this value by the unit load coefficient shown in the table below.

INPUT	UNIT LOAD COEFFICIENT
A _n	1.50
\overline{E}_1	1.50
E ₂	1.50
\overline{LE}	1.50

AC CHARACTERISTICS FOR 74HCT

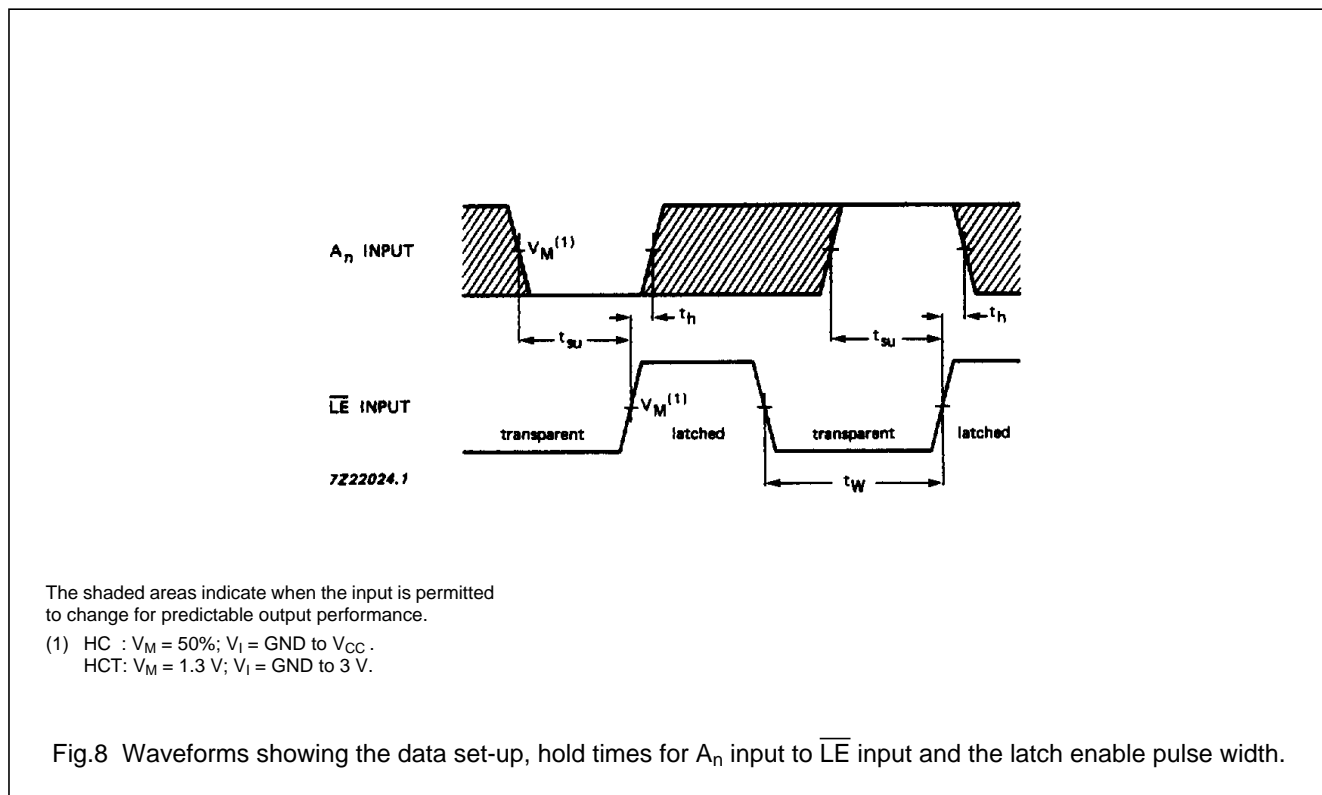
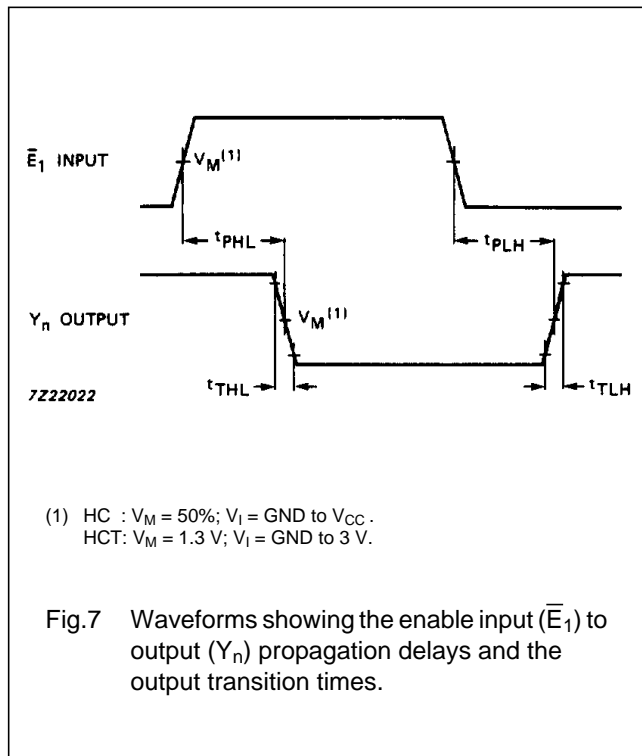
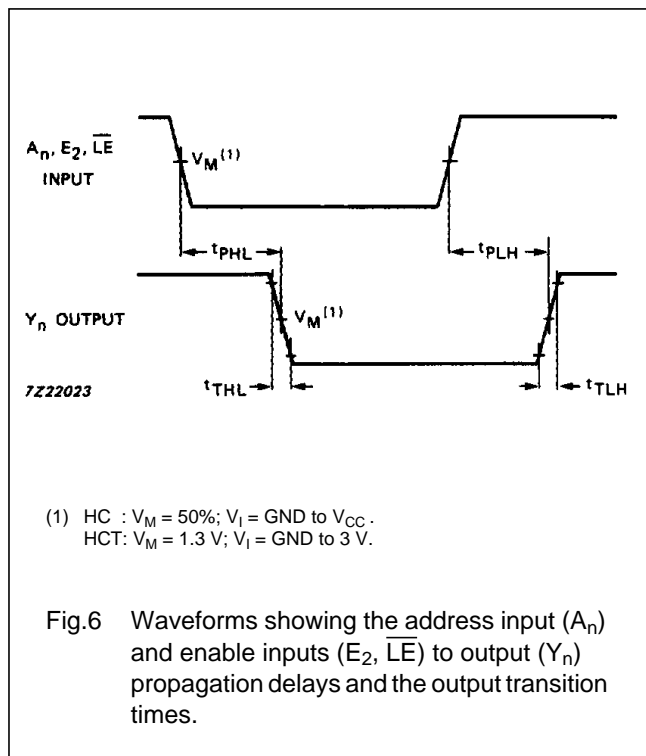
GND = 0 V; t_r = t_f = 6 ns; C_L = 50 pF

SYMBOL	PARAMETER	T _{amb} (°C)							UNIT	TEST CONDITIONS	
		74HCT								V _{CC} (V)	WAVEFORMS
		+25			-40 to +85		-40 to +125				
		min.	typ.	max.	min.	max.	min.	max.			
t _{PHL} / t _{PLH}	propagation delay A _n to Y _n		22	38		48		57	ns	4.5	Fig.6
t _{PHL} / t _{PLH}	propagation delay \overline{LE} to Y _n		25	42		53		63	ns	4.5	Fig.7
t _{PHL} / t _{PLH}	propagation delay \overline{E}_1 to Y _n		20	35		44		53	ns	4.5	Fig.7
t _{PHL} / t _{PLH}	propagation delay E ₂ to Y _n		20	33		41		50	ns	4.5	Fig.6
t _{THL} / t _{TLH}	output transition time		7	15		19		22	ns	4.5	Fig.6
t _w	\overline{LE} pulse width HIGH	10	5		13		15		ns	4.5	Fig.8
t _{su}	set-up time A _n to \overline{LE}	10	2		13		15		ns	4.5	Fig.8
t _h	hold time A _n to \overline{LE}	5	0		5		5		ns	4.5	Fig.8

3-to-8 line decoder/demultiplexer with address latches

74HC/HCT237

AC WAVEFORMS



3-to-8 line decoder/demultiplexer with address latches

74HC/HCT237

APPLICATION INFORMATION

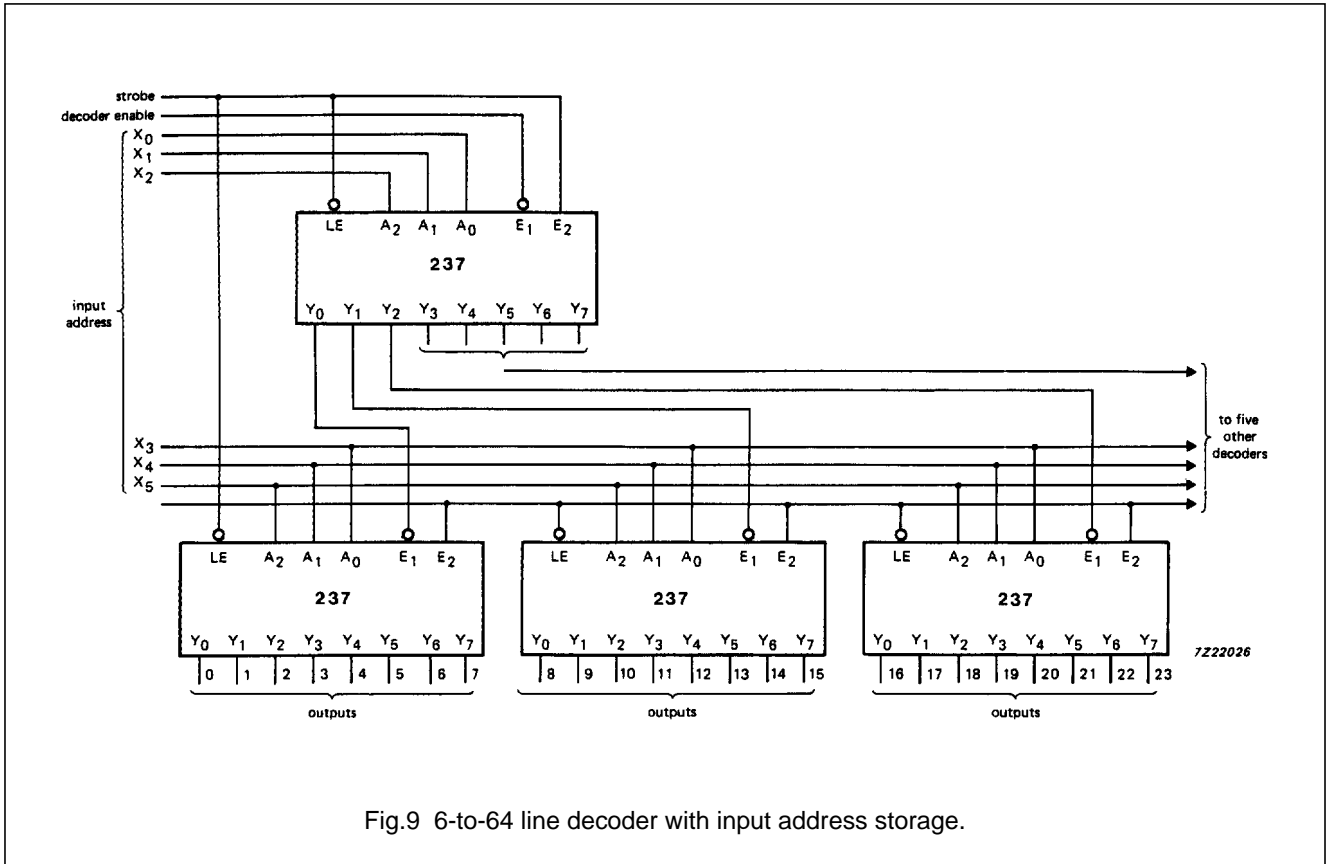


Fig.9 6-to-64 line decoder with input address storage.

PACKAGE OUTLINES

See *"74HC/HCT/HCU/HCMOS Logic Package Outlines"*.



LittleDiode supplies new, hard to find or obsolete electronic components and semiconductors all over the world.

With over two million different components listed you are sure to find the part you need.

Feel free to visit us today at our online store:

LittleDiode.com

Looking forward to providing you with the best possible service.