

DATA SHEET

For a complete data sheet, please also download:

- The IC06 74HC/HCT/HCU/HCMOS Logic Family Specifications
- The IC06 74HC/HCT/HCU/HCMOS Logic Package Information
- The IC06 74HC/HCT/HCU/HCMOS Logic Package Outlines

74HC/HCT283

4-bit binary full adder with fast carry

Product specification
File under Integrated Circuits, IC06

December 1990

4-bit binary full adder with fast carry

74HC/HCT283

FEATURES

- High-speed 4-bit binary addition
- Cascadable in 4-bit increments
- Fast internal look-ahead carry
- Output capability: standard
- I_{CC} category: MSI

GENERAL DESCRIPTION

The 74HC/HCT283 are high-speed Si-gate CMOS devices and are pin compatible with low power Schottky TTL (LSTTL). They are specified in compliance with JEDEC standard no. 7A.

The 74HC/HCT283 add two 4-bit binary words (A_n plus B_n) plus the incoming carry. The binary sum appears on the sum outputs (Σ₁ to Σ₄) and the out-going carry (C_{OUT}) according to the equation:

$$C_{IN} + (A_1 + B_1) + 2(A_2 + B_2) + 4(A_3 + B_3) + 8(A_4 + B_4) = \Sigma_1 + 2\Sigma_2 + 4\Sigma_3 + 8\Sigma_4 + 16C_{OUT}$$

Where (+) = plus.

Due to the symmetry of the binary add function, the “283” can be used with either all active HIGH operands (positive logic) or all active LOW operands (negative logic); see function table. In case of all active LOW operands the results Σ₁ to Σ₄ and C_{OUT} should be interpreted also as active LOW. With active HIGH inputs, C_{IN} must be held LOW when no “carry in” is intended. Interchanging inputs of equal weight does not affect the operation, thus C_{IN}, A₁, B₁ can be assigned arbitrarily to pins 5, 6, 7, etc.

See the “583” for the BCD version.

QUICK REFERENCE DATA

GND = 0 V; T_{amb} = 25 °C; t_r = t_f = 6 ns

SYMBOL	PARAMETER	CONDITIONS	TYPICAL		UNIT
			HC	HCT	
t _{PHL} / t _{PLH}	propagation delay	C _L = 15 pF; V _{CC} = 5 V			
	C _{IN} to Σ ₁		16	15	ns
	C _{IN} to Σ ₂		18	21	ns
	C _{IN} to Σ ₃		20	23	ns
	C _{IN} to Σ ₄		23	27	ns
	A _n or B _n to Σ _n		21	25	ns
	C _{IN} to C _{OUT}		20	23	ns
A _n or B _n to C _{OUT}	20	24	ns		
C _I	input capacitance		3.5	3.5	pF
C _{PD}	power dissipation capacitance per package	notes 1 and 2	88	92	pF

Notes

1. C_{PD} is used to determine the dynamic power dissipation (P_D in μW):

$$P_D = C_{PD} \times V_{CC}^2 \times f_i + \Sigma (C_L \times V_{CC}^2 \times f_o) \text{ where:}$$

f_i = input frequency in MHz

f_o = output frequency in MHz

Σ (C_L × V_{CC}² × f_o) = sum of outputs

C_L = output load capacitance in pF

V_{CC} = supply voltage in V

2. For HC the condition is V_I = GND to V_{CC}

For HCT the condition is V_I = GND to V_{CC} – 1.5 V

4-bit binary full adder with fast carry

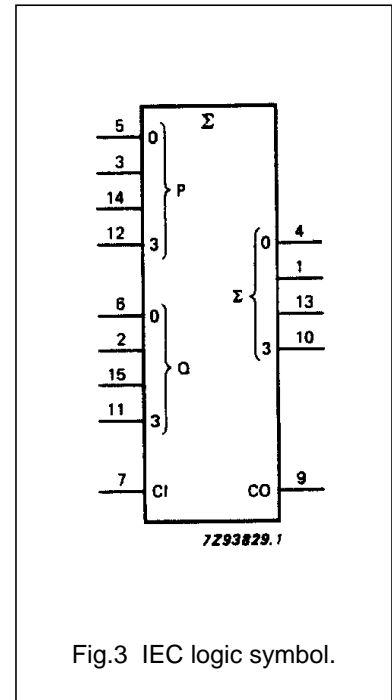
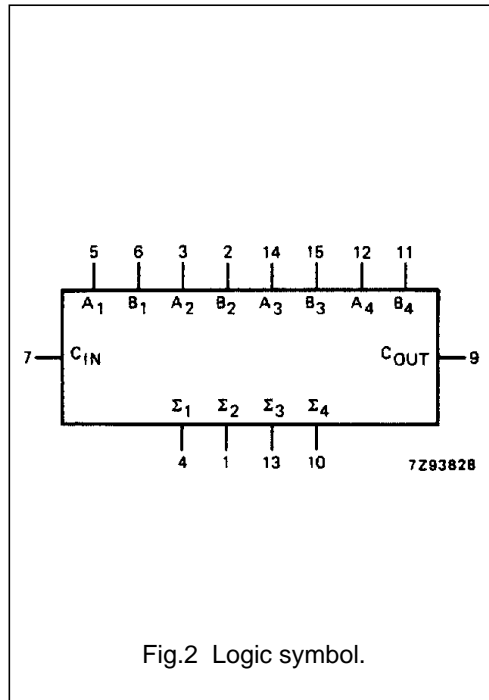
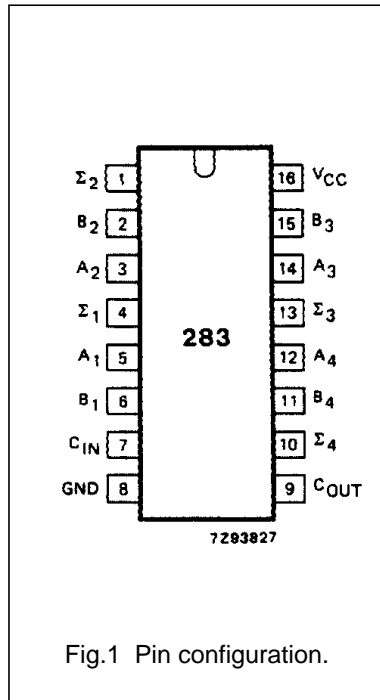
74HC/HCT283

ORDERING INFORMATION

See "74HC/HCT/HCU/HCMOS Logic Package Information".

PIN DESCRIPTION

PIN NO.	SYMBOL	NAME AND FUNCTION
4, 1, 13, 10	Σ_1 to Σ_4	sum outputs
5, 3, 14, 12	A_1 to A_4	A operand inputs
6, 2, 15, 11	B_1 to B_4	B operand inputs
7	C_{IN}	carry input
8	GND	ground (0 V)
9	C_{OUT}	carry output
16	V_{CC}	positive supply voltage



4-bit binary full adder with fast carry

74HC/HCT283

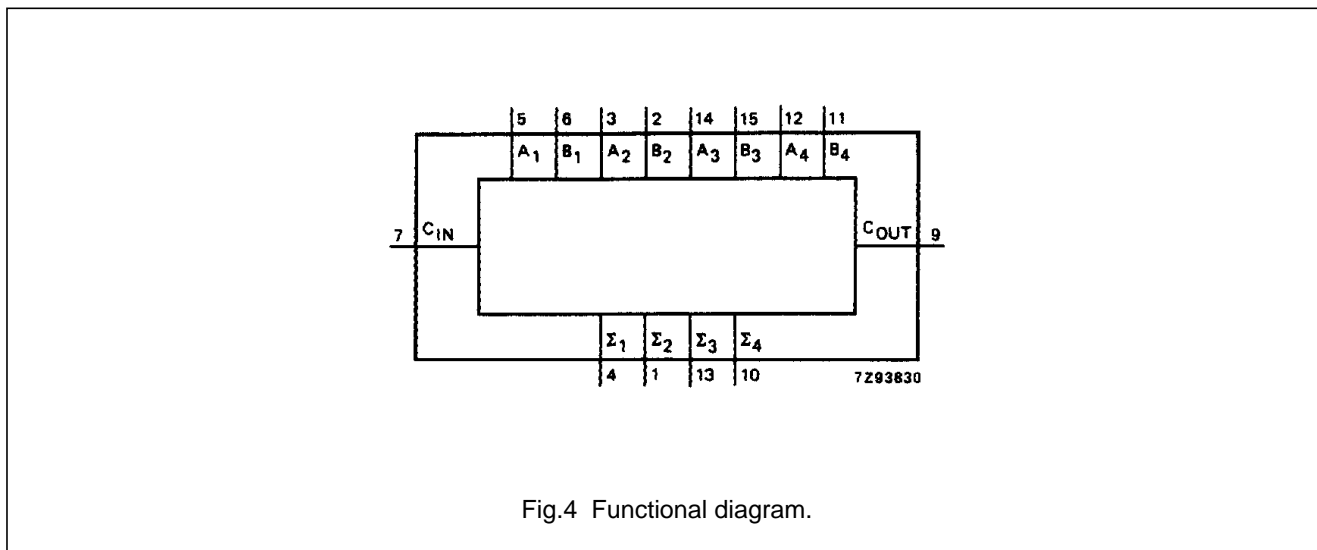


Fig.4 Functional diagram.

FUNCTION TABLE

PINS	C _{IN}	A ₁	A ₂	A ₃	A ₄	B ₁	B ₂	B ₃	B ₄	Σ ₁	Σ ₂	Σ ₃	Σ ₄	C _{OUT}	EXAMPLE ⁽²⁾
logic levels	L	L	H	L	H	H	L	L	H	H	H	L	L	H	
active HIGH	0	0	1	0	1	1	0	0	1	1	1	0	0	1	(3)
active LOW	1	1	0	1	0	0	1	1	0	0	0	1	1	0	(4)

Note

1. H = HIGH voltage level
L = LOW voltage level

2. example

```

1001
1010
-----
10011
    
```

3. for active HIGH, example = (9 + 10 = 19)
4. for active LOW, example = (carry + 6 + 5 = 12)

4-bit binary full adder with fast carry

74HC/HCT283

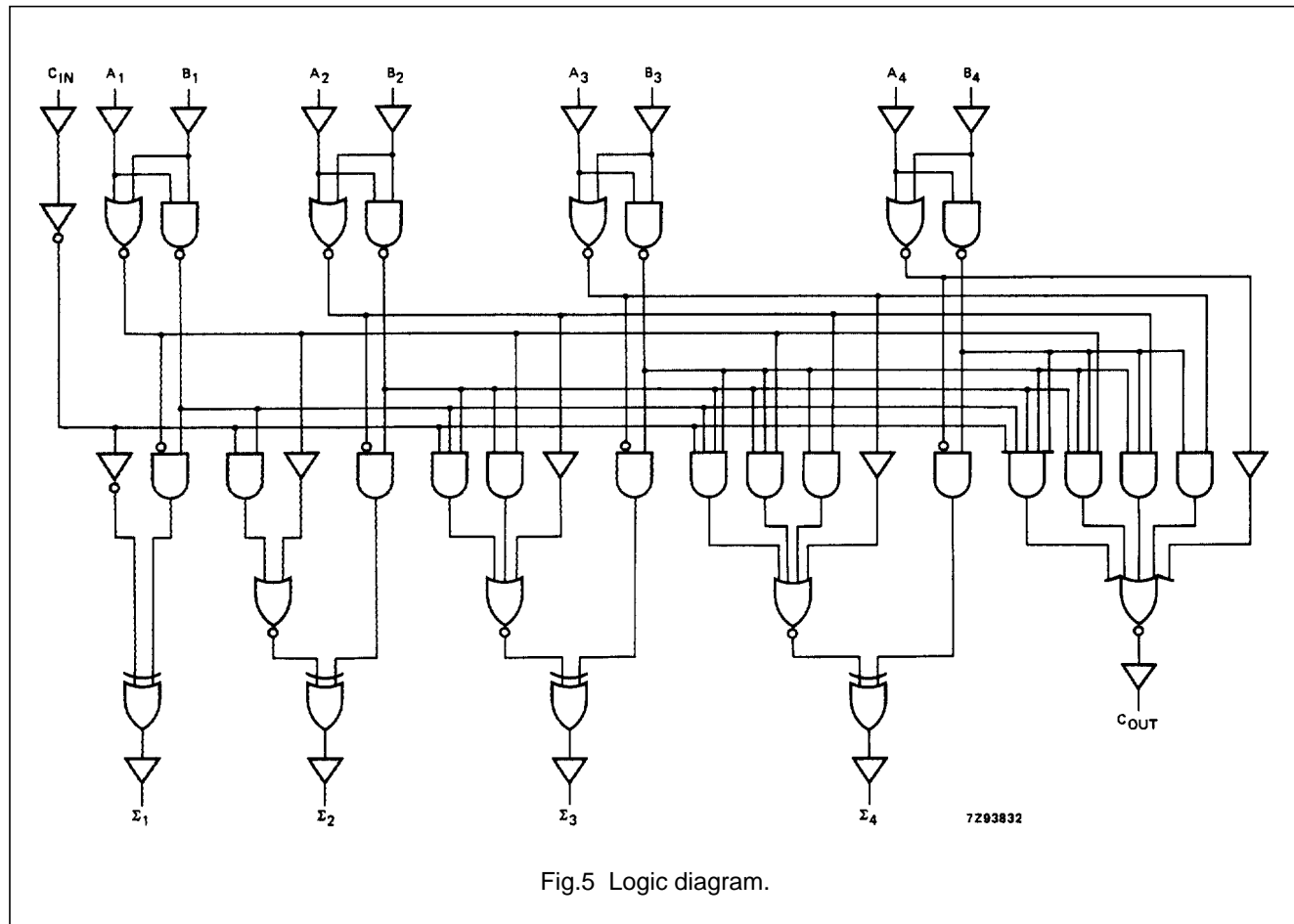


Fig.5 Logic diagram.

4-bit binary full adder with fast carry

74HC/HCT283

DC CHARACTERISTICS FOR 74HC

For the DC characteristics see *"74HC/HCT/HCU/HCMOS Logic Family Specifications"*.

Output capability: standard

I_{CC} category: MSI

AC CHARACTERISTICS FOR 74HC

GND = 0 V; t_r = t_f = 6 ns; C_L = 50 pF

SYMBOL	PARAMETER	T _{amb} (°C)						UNIT	TEST CONDITIONS		
		74HC							V _{CC} (V)	WAVEFORMS	
		+25			-40 to +85		-40 to +125				
		min.	typ.	max.	min.	max.	min.				max.
t _{PHL} / t _{PLH}	propagation delay C _{IN} to Σ ₁		52 19 15	160 32 27		200 40 34		240 48 41	ns	2.0 4.5 6.0	Fig.6
t _{PHL} / t _{PLH}	propagation delay C _{IN} to Σ ₂		58 21 17	180 36 31		225 45 38		270 54 46	ns	2.0 4.5 6.0	Fig.6
t _{PHL} / t _{PLH}	propagation delay C _{IN} to Σ ₃		63 23 18	195 39 33		245 49 42		295 59 50	ns	2.0 4.5 6.0	Fig.6
t _{PHL} / t _{PLH}	propagation delay C _{IN} to Σ ₄		74 27 22	230 46 39		290 58 49		345 69 59	ns	2.0 4.5 6.0	Fig.6
t _{PHL} / t _{PLH}	propagation delay A _n or B _n to Σ _n		69 25 20	210 42 36		265 53 45		315 63 54	ns	2.0 4.5 6.0	Fig.6
t _{PHL} / t _{PLH}	propagation delay C _{IN} to C _{OUT}		63 23 18	195 39 33		245 49 42		295 59 50	ns	2.0 4.5 6.0	Fig.6
t _{PHL} / t _{PLH}	propagation delay A _n or B _n to C _{OUT}		63 23 18	195 39 33		245 49 42		295 59 50	ns	2.0 4.5 6.0	Fig.6
t _{THL} / t _{TLH}	output transition time		19 7 6	75 15 13		95 19 16		110 22 19	ns	2.0 4.5 6.0	Fig.6

4-bit binary full adder with fast carry

74HC/HCT283

DC CHARACTERISTICS FOR 74HCT

For the DC characteristics see *"74HC/HCT/HCU/HCMOS Logic Family Specifications"*.

Output capability: standard

I_{CC} category: MSI

Note to HCT types

The value of additional quiescent supply current (ΔI_{CC}) for a unit load of 1 is given in the family specifications. To determine ΔI_{CC} per input, multiply this value by the unit load coefficient shown in the table below.

INPUT	UNIT LOAD COEFFICIENT
C _{IN}	1.50
B ₂ , A ₂ , A ₁	1.00
B ₁	0.40
B ₄ , A ₄ , A ₃ , B ₃	0.50

AC CHARACTERISTICS FOR 74HCT

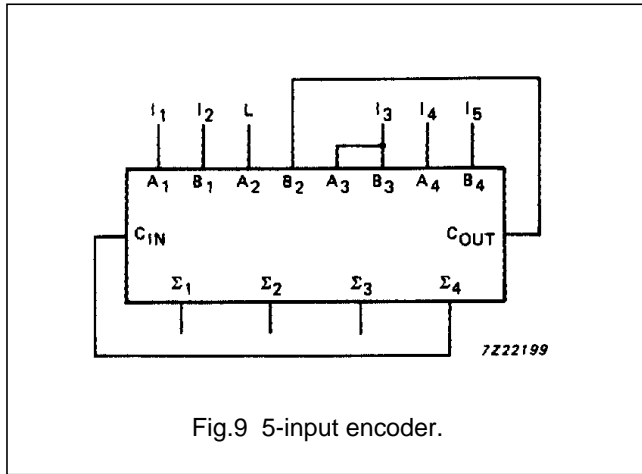
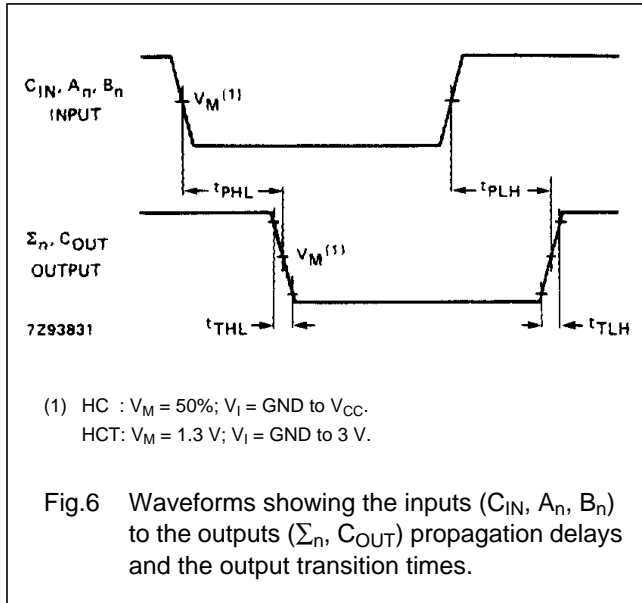
GND = 0 V; t_r = t_f = 6 ns; C_L = 50 pF

SYMBOL	PARAMETER	T _{amb} (°C)								UNIT	TEST CONDITIONS	
		74HCT									V _{CC} (V)	WAVEFORMS
		+25			-40 to +85		-40 to +125					
		min.	typ.	max.	min.	max.	min.	max.				
t _{PHL} / t _{PLH}	propagation delay C _{IN} to Σ_1		18	31		39		47	ns	4.5	Fig.6	
t _{PHL} / t _{PLH}	propagation delay C _{IN} to Σ_2		25	43		54		65	ns	4.5	Fig.6	
t _{PHL} / t _{PLH}	propagation delay C _{IN} to Σ_3		27	46		58		69	ns	4.5	Fig.6	
t _{PHL} / t _{PLH}	propagation delay C _{IN} to Σ_4		31	53		66		80	ns	4.5	Fig.6	
t _{PHL} / t _{PLH}	propagation delay A _n or B _n to Σ_n		29	49		61		74	ns	4.5	Fig.6	
t _{PHL} / t _{PLH}	propagation delay C _{IN} to C _{OUT}		27	46		58		69	ns	4.5	Fig.6	
t _{PHL} / t _{PLH}	propagation delay A _n or B _n to C _{OUT}		28	48		60		72	ns	4.5	Fig.6	
t _{THL} / t _{TLH}	output transition time		7	15		19		22	ns	4.5	Fig.6	

4-bit binary full adder with fast carry

74HC/HCT283

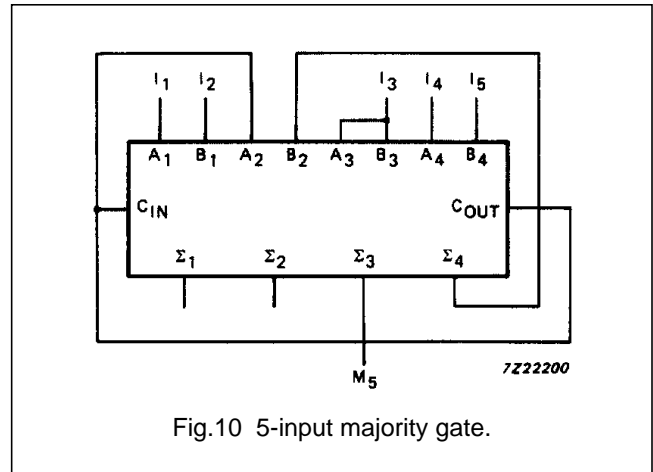
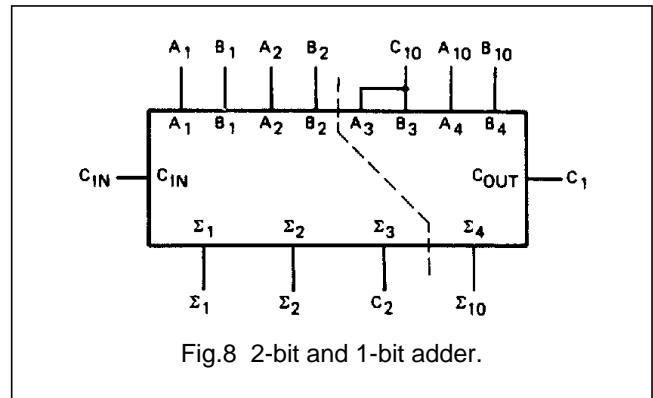
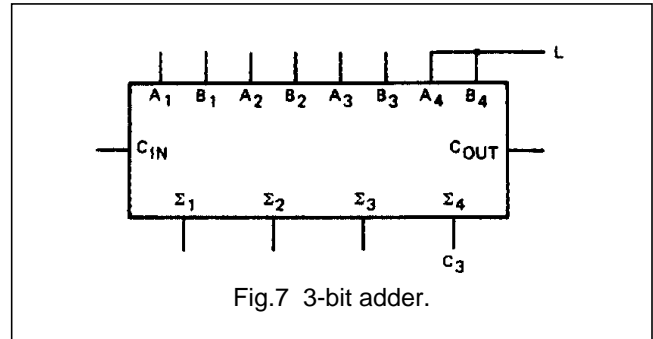
AC WAVEFORMS



Notes to Figs 7 to 10

Figure 7 shows a 3-bit adder using the "283". Tying the operand inputs of the fourth adder (A_3 , B_3) LOW makes Σ_3 dependent on, and equal to, the carry from the third adder. Based on the same principle, Figure 8 shows a method of dividing the "283" into a 2-bit and 1-bit adder. The third stage adder (A_2 , B_2 , Σ_2) is used simply as means of transferring the carry into the fourth stage (via A_2 and B_2) and transferring the carry from the second stage on Σ_2 . Note that as long as A_2 and B_2 are the same, HIGH or LOW, they do not influence Σ_2 . Similarly, when A_2 and B_2 are the same, the carry into the third stage does not influence the carry out of the third stage. Figure 9 shows a method of implementing a 5-input encoder, where the

APPLICATION INFORMATION



inputs are equally weighted. The outputs Σ_0 , Σ_1 and Σ_2 produce a binary number equal to the number inputs (I_1 to I_5) that are HIGH. Figure 10 shows a method of implementing a 5-input majority gate. When three or more inputs (I_1 to I_5) are HIGH, the output M_5 is HIGH.

PACKAGE OUTLINES

See "74HC/HCT/HCU/HCMOS Logic Package Outlines".



LittleDiode supplies new, hard to find or obsolete electronic components and semiconductors all over the world.

With over two million different components listed you are sure to find the part you need.

Feel free to visit us today at our online store:

LittleDiode.com

Looking forward to providing you with the best possible service.