

# DATA SHEET

For a complete data sheet, please also download:

- The IC06 74HC/HCT/HCU/HCMOS Logic Family Specifications
- The IC06 74HC/HCT/HCU/HCMOS Logic Package Information
- The IC06 74HC/HCT/HCU/HCMOS Logic Package Outlines

## **74HC/HCT597**

**8-bit shift register with input  
flip-flops**

Product specification  
File under Integrated Circuits, IC06

December 1990

## 8-bit shift register with input flip-flops

## 74HC/HCT597

## FEATURES

- 8-bit parallel storage register inputs
- Shift register has direct overriding load and clear
- Output capability: standard
- I<sub>CC</sub> category: MSI

## GENERAL DESCRIPTION

The 74HC/HCT597 are high-speed Si-gate CMOS devices and are pin compatible with low power Schottky TTL (LSTTL). They are specified in compliance with JEDEC standard no. 7A.

The 74HC/HCT597 consist each of an 8-bit storage register feeding a parallel-in, serial-out 8-bit shift register. Both the storage register and the shift register have positive edge-triggered clocks. The shift register also has direct load (from storage) and clear inputs.

## QUICK REFERENCE DATA

GND = 0 V; T<sub>amb</sub> = 25 °C; t<sub>r</sub> = t<sub>f</sub> = 6 ns

SYMBOL	PARAMETER	CONDITIONS	TYPICAL		UNIT
			HC	HCT	
t <sub>PHL</sub> / t <sub>PLH</sub>	propagation delay SH <sub>CP</sub> to Q	C <sub>L</sub> = 15 pF; V <sub>CC</sub> = 5 V	17	20	ns
	ST <sub>CP</sub> to Q		25	29	ns
	$\overline{\text{PL}}$ to Q		21	26	ns
f <sub>max</sub>	maximum clock frequency SH <sub>CP</sub>		96	83	MHz
C <sub>I</sub>	input capacitance		3.5	3.5	pF
C <sub>PD</sub>	power dissipation capacitance per package	notes 1 and 2	29	32	pF

## Notes

1. C<sub>PD</sub> is used to determine the dynamic power dissipation (P<sub>D</sub> in μW):

$$P_D = C_{PD} \times V_{CC}^2 \times f_i + \sum (C_L \times V_{CC}^2 \times f_o) \text{ where:}$$

f<sub>i</sub> = input frequency in MHz

f<sub>o</sub> = output frequency in MHz

∑ (C<sub>L</sub> × V<sub>CC</sub><sup>2</sup> × f<sub>o</sub>) = sum of outputs

C<sub>L</sub> = output load capacitance in pF

V<sub>CC</sub> = supply voltage in V

2. For HC the condition is V<sub>I</sub> = GND to V<sub>CC</sub>  
For HCT the condition is V<sub>I</sub> = GND to V<sub>CC</sub> – 1.5 V

## ORDERING INFORMATION

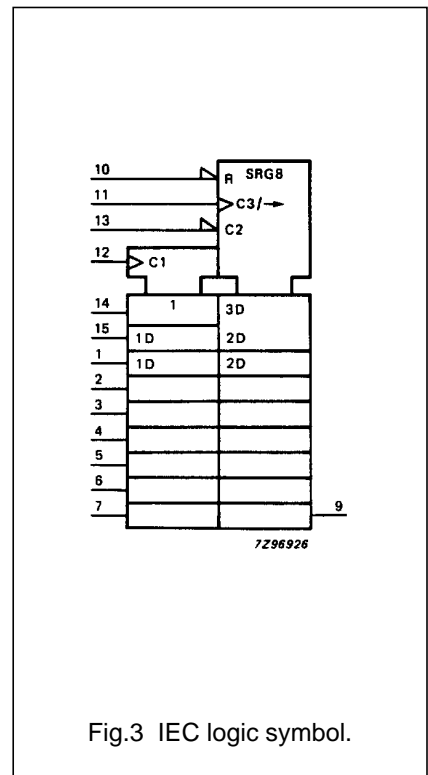
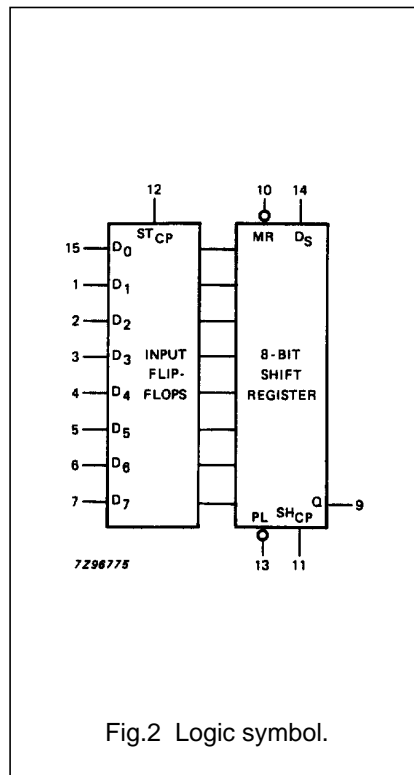
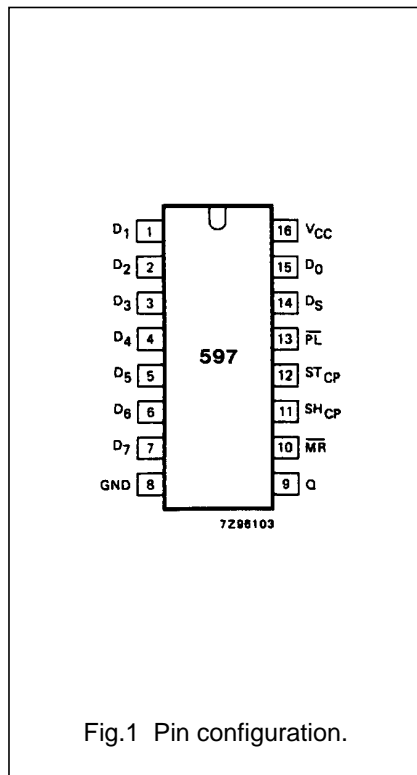
See "74HC/HCT/HCU/HCMOS Logic Package Information".

# 8-bit shift register with input flip-flops

# 74HC/HCT597

## PIN DESCRIPTION

PIN NO.	SYMBOL	NAME AND FUNCTION
8	GND	ground (0 V)
9	Q	serial data output
10	$\overline{MR}$	asynchronous reset input (active LOW)
11	SH <sub>CP</sub>	shift clock input (LOW-to-HIGH, edge-triggered)
12	ST <sub>CP</sub>	storage clock input (LOW-to-HIGH, edge-triggered)
13	$\overline{PL}$	parallel load input (active LOW)
14	D <sub>S</sub>	serial data input
15, 1, 2, 3, 4, 5, 6, 7	D <sub>0</sub> to D <sub>7</sub>	parallel data inputs
16	V <sub>CC</sub>	positive supply voltage



8-bit shift register with input flip-flops

74HC/HCT597

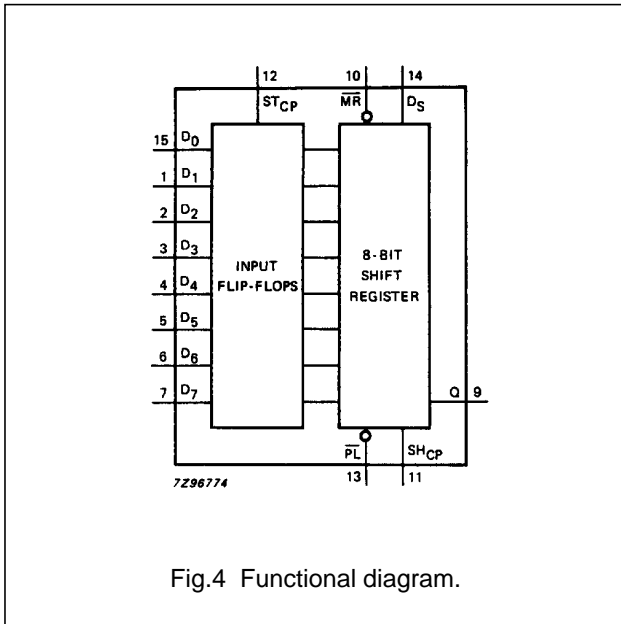


Fig.4 Functional diagram.

**FUNCTION TABLE**

ST <sub>CP</sub>	SH <sub>CP</sub>	$\overline{PL}$	$\overline{MR}$	FUNCTION
↑	X	X	X	data loaded to input latches
↑	X	L	H	data loaded from inputs to shift register
no clock edge	X	L	H	data transferred from input flip-flops to shift register
X	X	L	L	invalid logic, state of shift register indeterminate when signals removed
X	X	H	L	shift register cleared
X	↑	H	H	shift register clocked $Q_n = Q_{n-1}$ , $Q_0 = D_S$

**Notes**

- H = HIGH voltage level  
 L = LOW voltage level  
 X = don't care  
 ↑ = LOW-to-HIGH CP transition



# 8-bit shift register with input flip-flops

74HC/HCT597

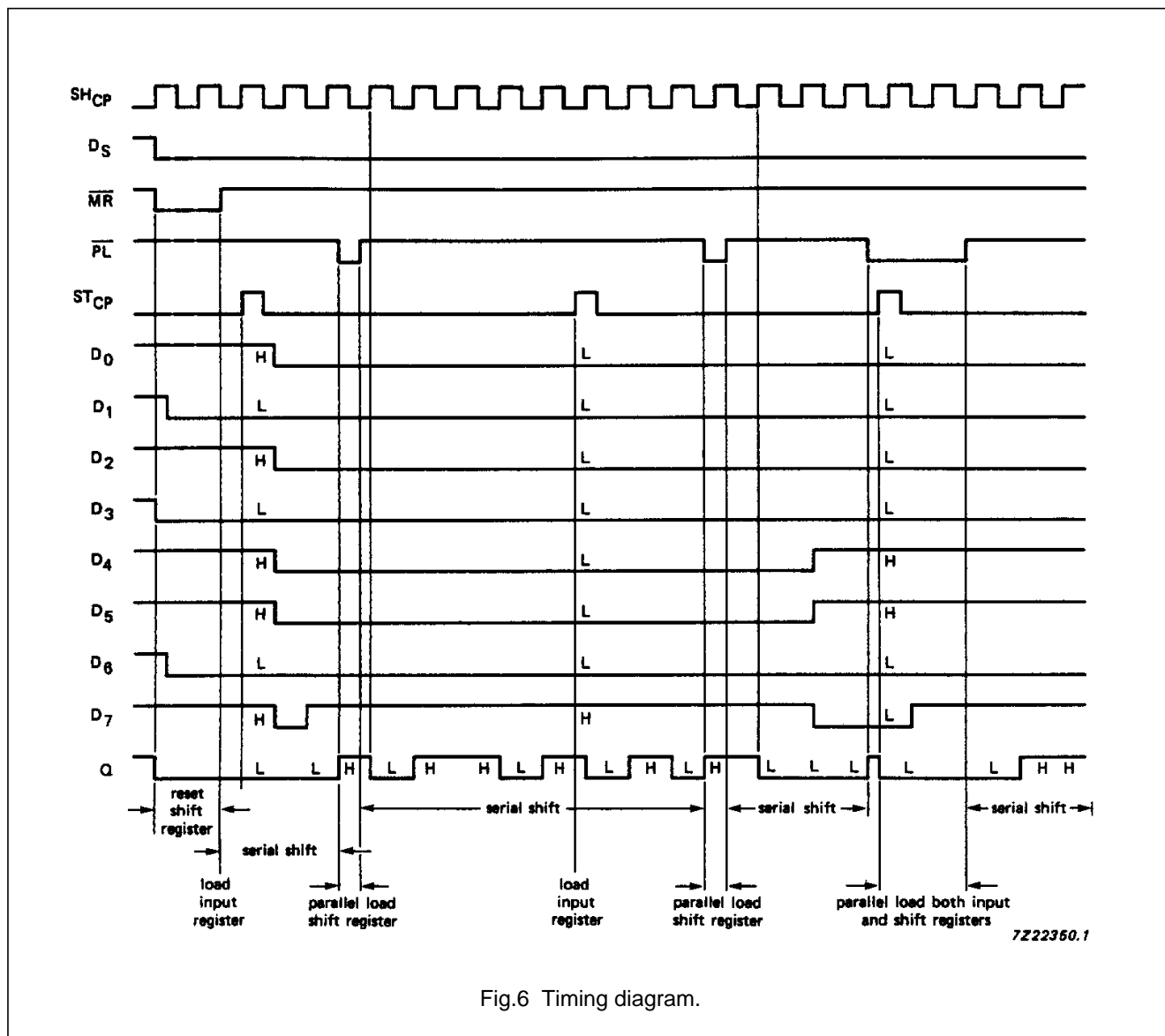


Fig.6 Timing diagram.

## 8-bit shift register with input flip-flops

## 74HC/HCT597

**DC CHARACTERISTICS FOR 74HC**

For the DC characteristics see *"74HC/HCT/HCU/HCMOS Logic Family Specifications"*.

Output capability: standard

I<sub>CC</sub> category: MSI

**AC CHARACTERISTICS FOR 74HC**

GND = 0 V; t<sub>r</sub> = t<sub>f</sub> = 6 ns; C<sub>L</sub> = 50 pF

SYMBOL	PARAMETER	T <sub>amb</sub> (°C)						UNIT	TEST CONDITIONS		
		74HC							V <sub>CC</sub> (V)	WAVEFORMS	
		+25			-40 to +85		-40 to +125				
		min.	typ.	max.	min.	max.	min.				max.
t <sub>PHL</sub> / t <sub>PLH</sub>	propagation delay SH <sub>CP</sub> to Q		55 20 16	175 35 30		220 44 37		265 53 45	ns	2.0 4.5 6.0	Fig.7
t <sub>PHL</sub>	propagation delay MR to Q		58 21 17	175 35 30		220 44 37		265 53 45	ns	2.0 4.5 6.0	Fig.8
t <sub>PHL</sub> / t <sub>PLH</sub>	propagation delay ST <sub>CP</sub> to Q		80 29 23	250 50 43		315 63 54		375 75 64	ns	2.0 4.5 6.0	Fig.7
t <sub>PHL</sub> / t <sub>PLH</sub>	propagation delay PL to Q		69 25 20	215 43 37		270 54 46		325 65 55	ns	2.0 4.5 6.0	Fig.9
t <sub>THL</sub> / t <sub>TLH</sub>	output transition time		19 7 6	75 15 13		95 19 16		110 22 19	ns	2.0 4.5 6.0	Fig.9
t <sub>w</sub>	ST <sub>CP</sub> pulse width HIGH or LOW	80 16 14	11 4 3		100 20 17		120 24 20		ns	2.0 4.5 6.0	Fig.7
t <sub>w</sub>	SH <sub>CP</sub> pulse width HIGH or LOW	80 16 14	14 5 4		100 20 17		120 24 20		ns	2.0 4.5 6.0	Fig.7
t <sub>w</sub>	MR pulse width LOW	80 16 14	22 8 6		100 20 17		120 24 20		ns	2.0 4.5 6.0	Fig.8
t <sub>w</sub>	PL pulse width LOW	80 16 14	22 8 6		100 20 17		120 24 20		ns	2.0 4.5 6.0	Fig.9
t <sub>rem</sub>	removal time MR to SH <sub>CP</sub>	60 12 10	-3 -1 -1		75 15 13		90 18 15		ns	2.0 4.5 6.0	Fig.10
t <sub>su</sub>	set-up time D <sub>n</sub> to ST <sub>CP</sub>	60 12 10	8 3 2		75 15 13		90 18 15		ns	2.0 4.5 6.0	Fig.11

## 8-bit shift register with input flip-flops

## 74HC/HCT597

SYMBOL	PARAMETER	T <sub>amb</sub> (°C)							UNIT	TEST CONDITIONS	
		74HC								V <sub>CC</sub> (V)	WAVEFORMS
		+25			-40 to +85		-40 to +125				
		min.	typ.	max.	min.	max.	min.	max.			
t <sub>su</sub>	set-up time D <sub>S</sub> to SH <sub>CP</sub>	60 12 10	11 4 3		75 15 13		90 18 15		ns	2.0 4.5 6.0	Fig.11
t <sub>su</sub>	set-up time $\overline{PL}$ to SH <sub>CP</sub>	60 12 10	11 4 3		75 15 13		90 18 15		ns	2.0 4.5 6.0	Fig.12
t <sub>h</sub>	hold time D <sub>n</sub> to ST <sub>CP</sub>	5 5 5	-3 -1 -1		5 5 5		5 5 5		ns	2.0 4.5 6.0	Fig.11
t <sub>h</sub>	hold time $\overline{PL}$ , D <sub>S</sub> to SH <sub>CP</sub>	5 5 5	-6 -2 -2		5 5 5		5 5 5		ns	2.0 4.5 6.0	Fig.11
f <sub>max</sub>	maximum pulse frequency SH <sub>CP</sub>	6.0 30 35	29 87 104		4.8 24 28		4.0 20 24		MHz	2.0 4.5 6.0	Fig.7

---

**8-bit shift register with input flip-flops****74HC/HCT597**

---

**DC CHARACTERISTICS FOR 74HCT**

For the DC characteristics see *"74HC/HCT/HCU/HCMOS Logic Family Specifications"*.

Output capability: standard

I<sub>CC</sub> category: MSI

**Note to HCT types**

The value of additional quiescent supply current ( $\Delta I_{CC}$ ) for a unit load of 1 is given in the family specifications. To determine  $\Delta I_{CC}$  per input, multiply this value by the unit load coefficient shown in the table below.

INPUT	UNIT LOAD COEFFICIENT
D <sub>S</sub>	0.25
D <sub>n</sub>	0.30
$\overline{PL}$ , $\overline{MR}$	1.50
ST <sub>CP</sub> , SH <sub>CP</sub>	1.50

## 8-bit shift register with input flip-flops

## 74HC/HCT597

## AC WAVEFORMS FOR 74HCT

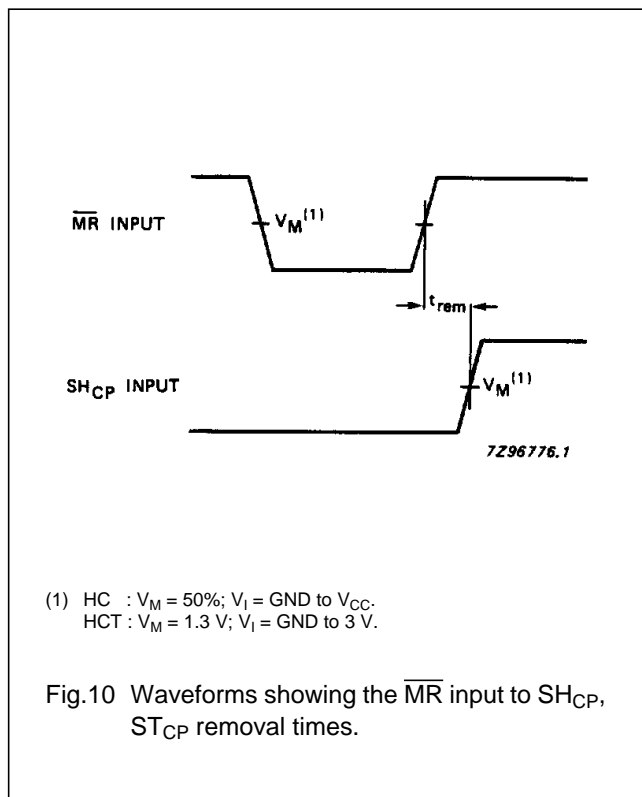
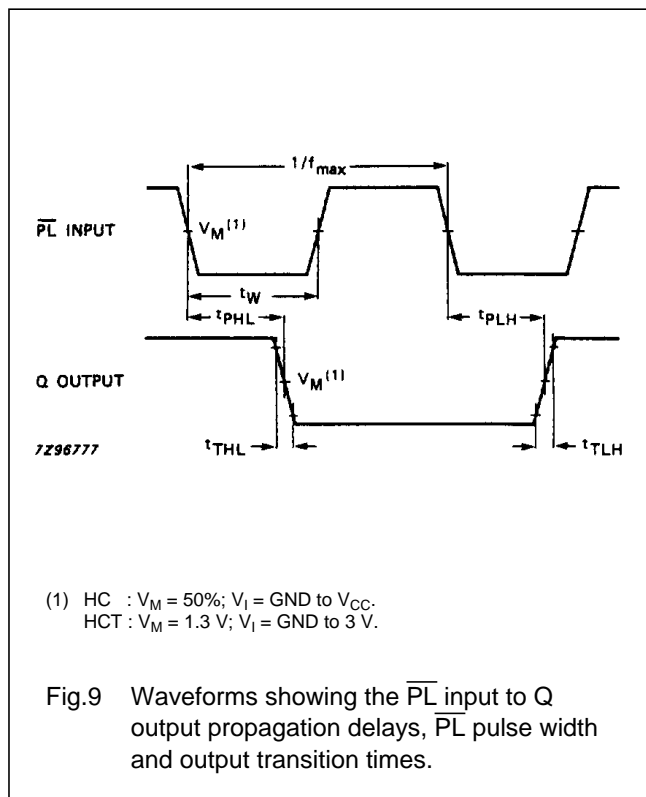
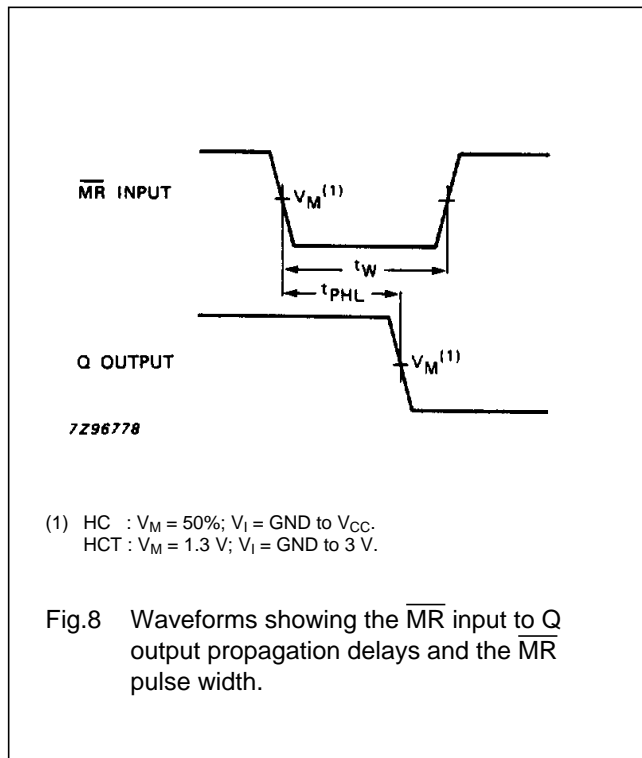
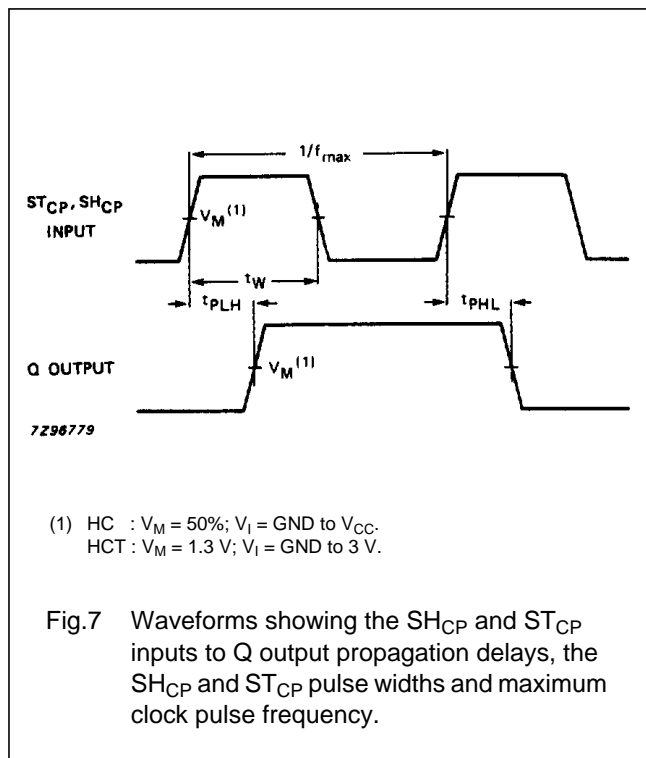
GND = 0 V;  $t_r = t_f = 6$  ns;  $C_L = 50$  pF

SYMBOL	PARAMETER	T <sub>amb</sub> (°C)								UNIT	TEST CONDITIONS	
		74HCT									V <sub>CC</sub> (V)	WAVEFORMS
		+25			-40 to +85		-40 to +125					
		min.	typ.	max.	min.	max.	min.	max.				
t <sub>PHL</sub> / t <sub>PLH</sub>	propagation delay SH <sub>CP</sub> to Q		23	40		50		60	ns	4.5	Fig.7	
t <sub>PHL</sub>	propagation delay MR to Q		28	49		61		74	ns	4.5	Fig.8	
t <sub>PHL</sub> / t <sub>PLH</sub>	propagation delay ST <sub>CP</sub> to Q		33	57		71		86	ns	4.5	Fig.7	
t <sub>PHL</sub> / t <sub>PLH</sub>	propagation delay PL to Q		30	52		65		78	ns	4.5	Fig.9	
t <sub>THL</sub> / t <sub>TLH</sub>	output transition time		7	15		19		22	ns	4.5	Fig.9	
t <sub>w</sub>	SH <sub>CP</sub> pulse width HIGH or LOW	16	7		20		24		ns	4.5	Fig.7	
t <sub>w</sub>	ST <sub>CP</sub> pulse width HIGH or LOW	16	6		20		24		ns	4.5	Fig.7	
t <sub>w</sub>	$\overline{\text{MR}}$ pulse width LOW	25	14		31		38		ns	4.5	Fig.8	
t <sub>w</sub>	$\overline{\text{PL}}$ pulse width LOW	20	10		25		30		ns	4.5	Fig.9	
t <sub>rem</sub>	removal time $\overline{\text{MR}}$ to SH <sub>CP</sub>	12	-2		15		18		ns	4.5	Fig.10	
t <sub>su</sub>	set-up time D <sub>n</sub> to ST <sub>CP</sub>	12	5		15		18		ns	4.5	Fig.11	
t <sub>su</sub>	set-up time D <sub>S</sub> to SH <sub>CP</sub>	12	2		15		18		ns	4.5	Fig.11	
t <sub>su</sub>	set-up time $\overline{\text{PL}}$ to SH <sub>CP</sub>	12	4		15		18		ns	4.5	Fig.12	
t <sub>h</sub>	hold time D <sub>n</sub> to ST <sub>CP</sub>	5	-1		5		5		ns	4.5	Fig.11	
t <sub>h</sub>	hold time $\overline{\text{PL}}$ , D <sub>S</sub> to SH <sub>CP</sub>	5	-2		5		5		ns	4.5	Fig.11	
f <sub>max</sub>	maximum pulse frequency SH <sub>CP</sub>	30	75		24		20		MHz	4.5	Fig.7	

8-bit shift register with input flip-flops

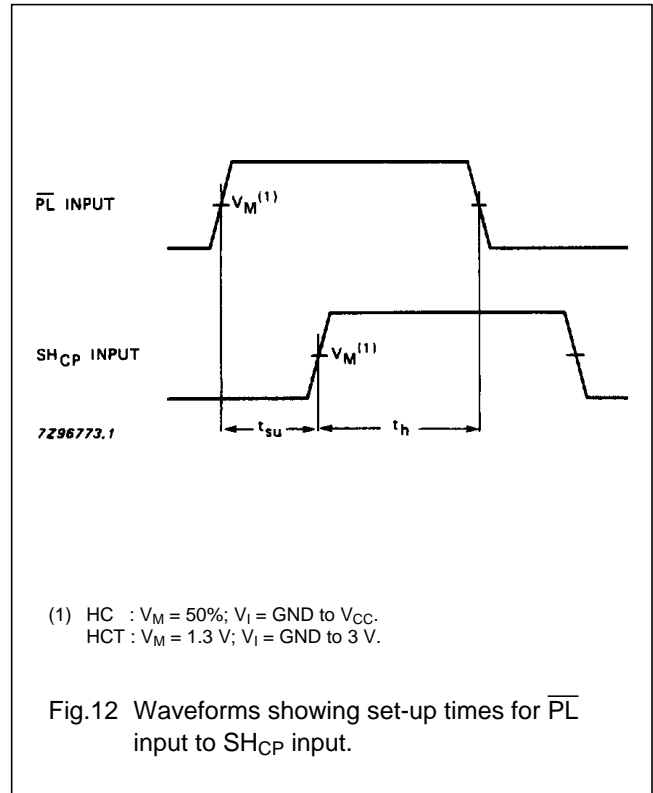
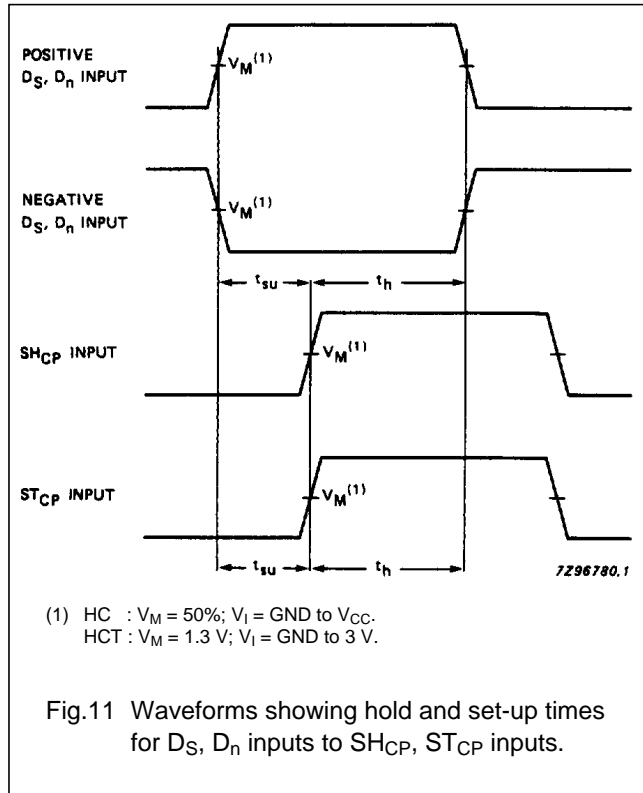
74HC/HCT597

AC WAVEFORMS



8-bit shift register with input flip-flops

74HC/HCT597



PACKAGE OUTLINES

See "74HC/HCT/HCU/HCMOS Logic Package Outlines".



LittleDiode supplies new, hard to find or obsolete electronic components and semiconductors all over the world.

With over two million different components listed you are sure to find the part you need.

Feel free to visit us today at our online store:

[LittleDiode.com](http://LittleDiode.com)

Looking forward to providing you with the best possible service.