

# DATA SHEET

For a complete data sheet, please also download:

- The IC06 74HC/HCT/HCU/HCMOS Logic Family Specifications
- The IC06 74HC/HCT/HCU/HCMOS Logic Package Information
- The IC06 74HC/HCT/HCU/HCMOS Logic Package Outlines

## **74HC/HCT4353**

Triple 2-channel analog  
multiplexer/demultiplexer with latch

Product specification  
File under Integrated Circuits, IC06

December 1990

## Triple 2-channel analog multiplexer/demultiplexer with latch

74HC/HCT4353

### FEATURES

- Wide analog input voltage range:  $\pm 5$  V
- Low "ON" resistance:
  - 80  $\Omega$  (typ.) at  $V_{CC} - V_{EE} = 4.5$  V
  - 70  $\Omega$  (typ.) at  $V_{CC} - V_{EE} = 6.0$  V
  - 60  $\Omega$  (typ.) at  $V_{CC} - V_{EE} = 9.0$  V
- Logic level translation:
  - to enable 5 V logic to communicate with  $\pm 5$  V analog signals
- Typical "break before make" built in
- Address latches provided
- Output capability: non-standard
- $I_{CC}$  category: MSI

### GENERAL DESCRIPTION

The 74HC/HCT4353 are high-speed Si-gate CMOS devices. They are specified in compliance with JEDEC standard no. 7A.

The 74HC/HCT4353 are triple 2-channel analog multiplexers/demultiplexers with two common enable inputs ( $\bar{E}_1$  and  $E_2$ ) and a latch enable input ( $\bar{LE}$ ). Each

multiplexer has two independent inputs/outputs ( $nY_0$  and  $nY_1$ ), a common input/output ( $nZ$ ) and select inputs ( $S_1$  to  $S_3$ ).

Each multiplexer/demultiplexer contains two bidirectional analog switches, each with one side connected to an independent input/output ( $nY_0$  and  $nY_1$ ) and the other side connected to a common input/output ( $nZ$ ).

With  $\bar{E}_1$  LOW and  $E_2$  HIGH, one of the two switches is selected (low impedance ON-state) by  $S_1$  to  $S_3$ .

The data at the select inputs may be latched by using the active LOW latch enable input ( $\bar{LE}$ ). When  $\bar{LE}$  is HIGH, the latch is transparent. When either of the two enable inputs,  $\bar{E}_1$  (active LOW) and  $E_2$  (active HIGH), is inactive, all analog switches are turned off.

$V_{CC}$  and GND are the supply voltage pins for the digital control inputs ( $S_1$  to  $S_3$ ,  $\bar{LE}$ ,  $\bar{E}_1$  and  $E_2$ ). The  $V_{CC}$  to GND ranges are 2.0 to 10.0 V for HC and 4.5 to 5.5 V for HCT. The analog inputs/outputs ( $nY_0$  and  $nY_1$ , and  $nZ$ ) can swing between  $V_{CC}$  as a positive limit and  $V_{EE}$  as a negative limit.  $V_{CC} - V_{EE}$  may not exceed 10.0 V.

For operation as a digital multiplexer/demultiplexer,  $V_{EE}$  is connected to GND (typically ground).

### QUICK REFERENCE DATA

$V_{EE} = \text{GND} = 0$  V;  $T_{\text{amb}} = 25$  °C;  $t_r = t_f = 6$  ns

SYMBOL	PARAMETER	CONDITIONS	TYPICAL		UNIT
			HC	HCT	
$t_{PZH}/t_{PZL}$	turn "ON" time $\bar{E}_1$ , $E_2$ or $S_n$ to $V_{os}$	$C_L = 50$ pF; $R_L = 1$ k $\Omega$ ;	29	21	ns
$t_{PHZ}/t_{PLZ}$	turn "OFF" time $\bar{E}_1$ , $E_2$ or $S_n$ to $V_{os}$	$V_{CC} = 5$ V	20	22	ns
$C_I$	input capacitance		3.5	3.5	pF
$C_{PD}$	power dissipation capacitance per switch	notes 1 and 2	23	23	pF
$C_S$	max. switch capacitance independent (Y) common (Z)		5	5	pF
			8	8	pF

### Notes

1.  $C_{PD}$  is used to determine the dynamic power dissipation ( $P_D$  in  $\mu$ W):

$$P_D = C_{PD} \times V_{CC}^2 \times f_i + \sum \{(C_L + C_S) \times V_{CC}^2 \times f_o\} \text{ where:}$$

$f_i$  = input frequency in MHz

$C_L$  = output load capacitance in pF

$f_o$  = output frequency in MHz

$C_S$  = max. switch capacitance in pF

$$\sum \{(C_L \times C_S) \times V_{CC}^2 \times f_o\} = \text{sum of outputs}$$

$V_{CC}$  = supply voltage in V

2. For HC the condition is  $V_I = \text{GND}$  to  $V_{CC}$   
For HCT the condition is  $V_I = \text{GND}$  to  $V_{CC} - 1.5$  V

### ORDERING INFORMATION

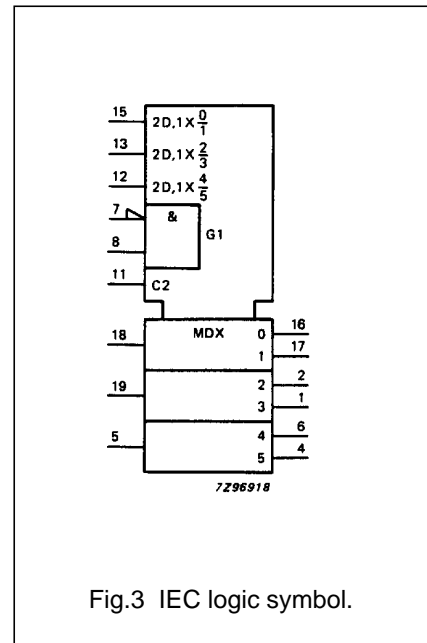
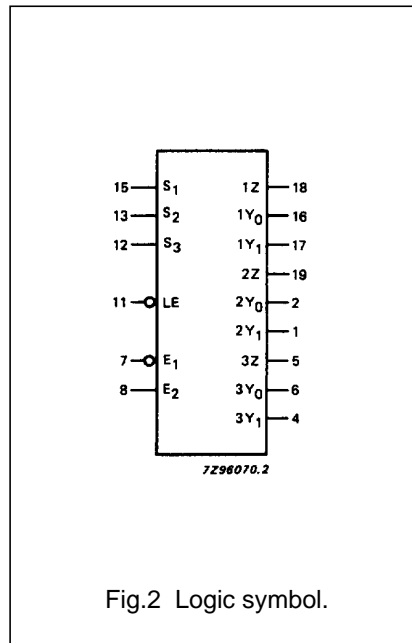
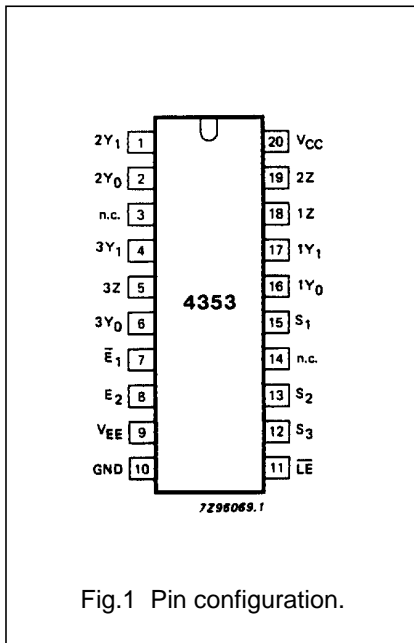
See "74HC/HCT/HCU/HCMOS Logic Package Information".

# Triple 2-channel analog multiplexer/demultiplexer with latch

74HC/HCT4353

## PIN DESCRIPTION

PIN NO.	SYMBOL	NAME AND FUNCTION
2, 1	2Y <sub>0</sub> , 2Y <sub>1</sub>	independent inputs/outputs
5	3Z	common input/output
6, 4	3Y <sub>0</sub> , 3Y <sub>1</sub>	independent inputs/outputs
3, 14	n.c.	not connected
7	$\bar{E}_1$	enable input (active LOW)
8	E <sub>2</sub>	enable input (active HIGH)
9	V <sub>EE</sub>	negative supply voltage
10	GND	ground (0 V)
11	$\bar{L}\bar{E}$	latch enable input (active LOW)
15, 13, 12	S <sub>1</sub> to S <sub>3</sub>	select inputs
16, 17	1Y <sub>0</sub> , 1Y <sub>1</sub>	independent inputs/outputs
18	1Z	common input/output
19	2Z	common input/output
20	V <sub>CC</sub>	positive supply voltage



# Triple 2-channel analog multiplexer/demultiplexer with latch

74HC/HCT4353

**FUNCTION TABLE**

INPUTS				CHANNEL ON
$\bar{E}_1$	$E_2$	$\bar{LE}$	$S_n$	
H	H	X	X	none
X	L	X	X	none
L	H	H	L	$nY_0 - nZ$
L	H	H	H	$nY_1 - nZ$
L	H	L	X	(1)
X	X	$\downarrow$	X	(2)

**Notes**

1. Last selected channel "ON".
2. Selected channels latched.

H = HIGH voltage level

L = LOW voltage level

X = don't care

$\downarrow$  = HIGH-to-LOW  $\bar{LE}$  transition

**APPLICATIONS**

- Analog multiplexing and demultiplexing
- Digital multiplexing and demultiplexing
- Signal gating

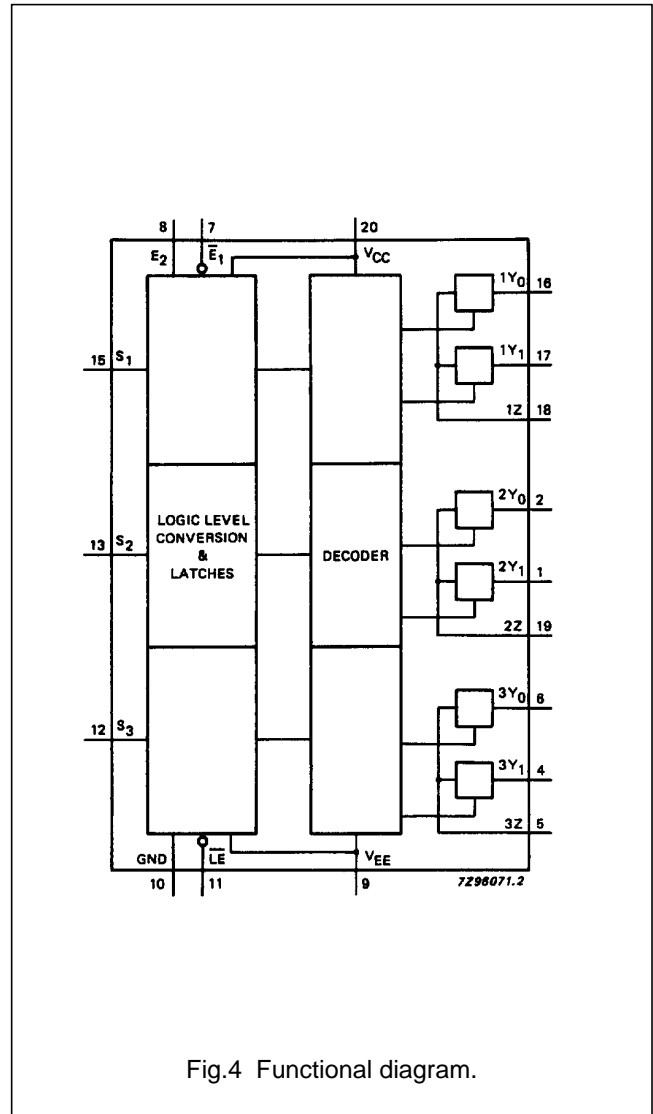


Fig.4 Functional diagram.

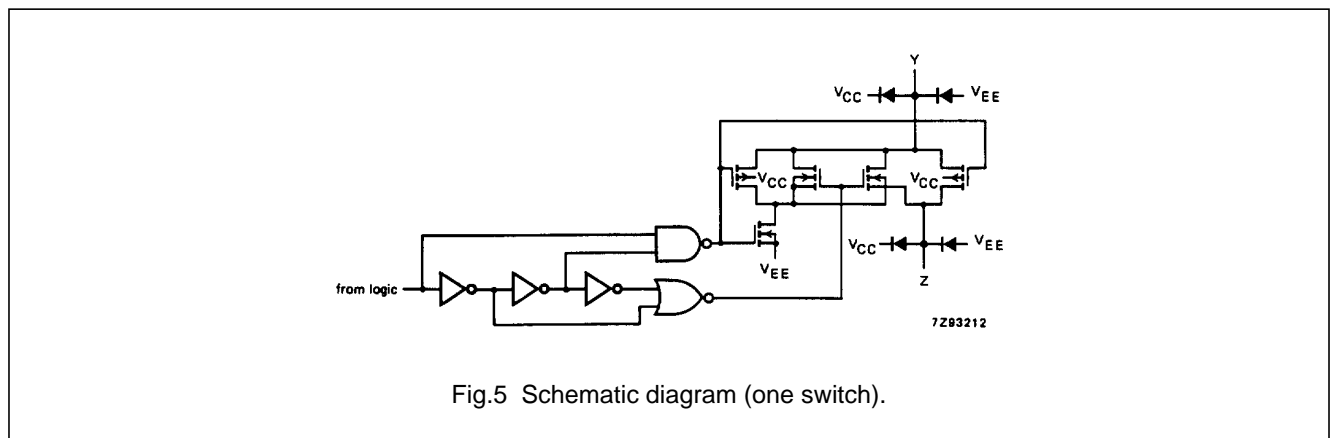


Fig.5 Schematic diagram (one switch).

# Triple 2-channel analog multiplexer/demultiplexer with latch

74HC/HCT4353

## RATINGS

Limiting values in accordance with the Absolute Maximum System (IEC 134)

Voltages are referenced to  $V_{EE} = \text{GND}$  (ground = 0 V)

SYMBOL	PARAMETER	MIN.	MAX.	UNIT	CONDITIONS
$V_{CC}$	DC supply voltage	-0.5	+11.0	V	
$\pm I_{IK}$	DC digital input diode current		20	mA	for $V_I < -0.5 \text{ V}$ or $V_I > V_{CC} + 0.5 \text{ V}$
$\pm I_{SK}$	DC switch diode current		20	mA	for $V_S < -0.5 \text{ V}$ or $V_S > V_{CC} + 0.5 \text{ V}$
$\pm I_S$	DC switch current		25	mA	for $-0.5 \text{ V} < V_S < V_{CC} + 0.5 \text{ V}$
$\pm I_{EE}$	DC $V_{EE}$ current		20	mA	
$\pm I_{CC};$ $\pm I_{GND}$	DC $V_{CC}$ or GND current		50	mA	
$T_{stg}$	storage temperature range	-65	+150	°C	
$P_{tot}$	power dissipation per package				for temperature range: -40 to +125 °C 74HC/HCT
	plastic DIL		750	mW	above +70 °C: derate linearly with 12 mW/K
	plastic mini-pack (SO)		500	mW	above +70 °C: derate linearly with 8 mW/K
$P_S$	power dissipation per switch		100	mW	

### Note to ratings

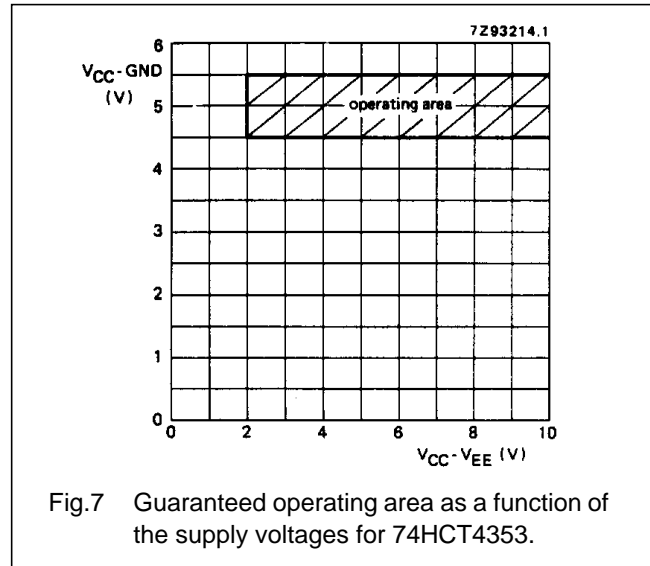
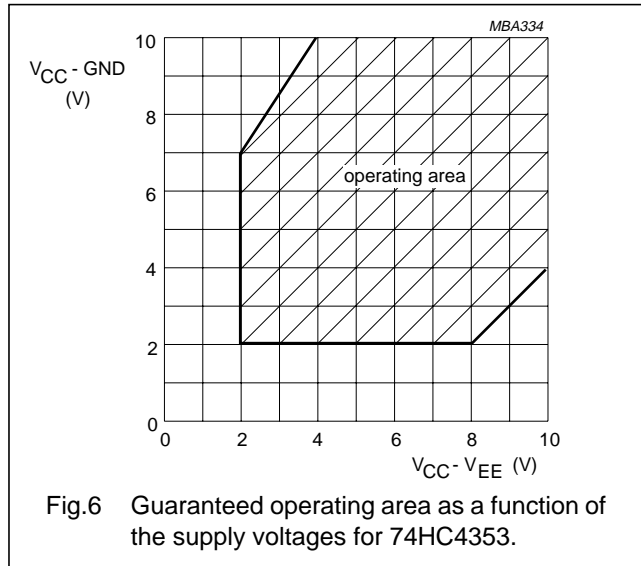
- To avoid drawing  $V_{CC}$  current out of terminals  $nZ$ , when switch current flows in terminals  $nY_n$ , the voltage drop across the bidirectional switch must not exceed 0.4 V. If the switch current flows into terminals  $nZ$ , no  $V_{CC}$  current will flow out of terminals  $nY_n$ . In this case there is no limit for the voltage drop across the switch, but the voltages at  $nY_n$  and  $nZ$  may not exceed  $V_{CC}$  or  $V_{EE}$ .

## RECOMMENDED OPERATING CONDITIONS

SYMBOL	PARAMETER	74HC			74HCT			UNIT	CONDITIONS
		min.	typ.	max.	min.	typ.	max.		
$V_{CC}$	DC supply voltage $V_{CC}-\text{GND}$	2.0	5.0	10.0	4.5	5.0	5.5	V	see Figs 6 and 7
$V_{CC}$	DC supply voltage $V_{CC}-V_{EE}$	2.0	5.0	10.0	2.0	5.0	10.0	V	see Figs 6 and 7
$V_I$	DC input voltage range	GND		$V_{CC}$	GND		$V_{CC}$	V	
$V_S$	DC switch voltage range	$V_{EE}$		$V_{CC}$	$V_{EE}$		$V_{CC}$	V	
$T_{amb}$	operating ambient temperature range	-40		+85	-40		+85	°C	see DC and AC CHARACTER- ISTICS
$T_{amb}$	operating ambient temperature range	-40		+125	-40		+125	°C	
$t_r, t_f$	input rise and fall times		6.0	1000 500 400 250		6.0	500	ns	$V_{CC} = 2.0 \text{ V}$ $V_{CC} = 4.5 \text{ V}$ $V_{CC} = 6.0 \text{ V}$ $V_{CC} = 10.0 \text{ V}$

# Triple 2-channel analog multiplexer/demultiplexer with latch

74HC/HCT4353



### DC CHARACTERISTICS FOR 74HC/HCT

For 74HC:  $V_{CC} - GND$  or  $V_{CC} - V_{EE} = 2.0, 4.5, 6.0$  and  $9.0$  V

For 74HCT:  $V_{CC} - GND = 4.5$  and  $5.5$  V;  $V_{CC} - V_{EE} = 2.0, 4.5, 6.0$  and  $9.0$  V

SYMBOL	PARAMETER	$T_{amb}$ (°C)						UNIT	TEST CONDITIONS					
		74HC/HCT							$V_{CC}$ (V)	$V_{EE}$ (V)	$I_s$ ( $\mu A$ )	$V_{is}$	$V_I$	
		+25			-40 to +85		-40 to +125							
		min.	typ.	max.	min.	max.	min.							max.
$R_{ON}$	ON resistance (peak)		—	—		—		—	$\Omega$	2.0	0	100	$V_{CC}$ to $V_{EE}$	$V_{IN}$ or $V_{IL}$
			100	180		225		270	$\Omega$	4.5	0	1000		
			90	160		200		240	$\Omega$	6.0	0	1000		
			70	130		165		195	$\Omega$	4.5	-4.5	1000		
$R_{ON}$	ON resistance (rail)		150	—		—		—	$\Omega$	2.0	0	100	$V_{EE}$	$V_{IH}$ or $V_{IL}$
			80	140		175		210	$\Omega$	4.5	0	1000		
			70	120		150		180	$\Omega$	6.0	0	1000		
			60	105		130		160	$\Omega$	4.5	-4.5	1000		
$R_{ON}$	ON resistance		150	—		—		—	$\Omega$	2.0	0	100	$V_{CC}$	$V_{IH}$ or $V_{IL}$
			90	160		200		240	$\Omega$	4.5	0	1000		
			80	140		175		210	$\Omega$	6.0	0	1000		
			65	120		150		180	$\Omega$	4.5	-4.5	1000		
$\Delta R_{ON}$	maximum $\Delta$ ON resistance between any two channels		—						$\Omega$	2.0	0		$V_{CC}$ to $V_{EE}$	$V_{IH}$ or $V_{IL}$
			9						$\Omega$	4.5	0			
			8						$\Omega$	6.0	0			
			6						$\Omega$	4.5	-4.5			

### Notes to DC characteristics

- At supply voltages ( $V_{CC} - V_{EE}$ ) approaching 2.0 V the analog switch ON-resistance becomes extremely non-linear. There it is recommended that these devices be used to transmit digital signals only, when using these supply voltages.
- For test circuit measuring  $R_{ON}$  see Fig.8.

# Triple 2-channel analog multiplexer/demultiplexer with latch

74HC/HCT4353

**DC CHARACTERISTICS FOR 74HC**

Voltages are referenced to GND (ground = 0 V)

SYMBOL	PARAMETER	$T_{amb}$ (°C)						UNIT	TEST CONDITIONS				
		74HC							$V_{CC}$ (V)	$V_{EE}$ (V)	$V_I$	OTHER	
		+25			-40 to +85		-40 to +125						
		min.	typ.	max.	min.	max.	min.						max.
$V_{IH}$	HIGH level input voltage	1.5 3.15 4.2 6.3	1.2 2.4 3.2 4.7		1.5 3.15 4.2 6.3		1.5 3.15 4.2 6.3		V	2.0 4.5 6.0 9.0			
$V_{IL}$	LOW level input voltage		0.8 2.1 2.8 4.3	0.5 1.35 1.8 2.7		0.5 1.35 1.8 2.7		0.5 1.35 1.8 2.7	V	2.0 4.5 6.0 9.0			
$\pm I_I$	input leakage current			0.1 0.2		1.0 2.0		1.0 2.0	$\mu A$	6.0 10.0	0 0	$V_{CC}$ or GND	
$\pm I_S$	analog switch OFF-state current per channel			0.1		1.0		1.0	$\mu A$	10.0	0	$V_{IH}$ or $V_{IL}$	$ V_S  = V_{CC} - V_{EE}$ (see Fig.10)
$\pm I_S$	analog switch OFF-state current all channels			0.1		1.0		1.0	$\mu A$	10.0	0	$V_{IH}$ or $V_{IL}$	$ V_S  = V_{CC} - V_{EE}$ (see Fig.10)
$\pm I_S$	analog switch ON-state current			0.1		1.0		1.0	$\mu A$	10.0	0	$V_{IH}$ or $V_{IL}$	$ V_S  = V_{CC} - V_{EE}$ (see Fig.11)
$I_{CC}$	quiescent supply current			8.0 16.0		80.0 160.0		160.0 320.0	$\mu A$	6.0 10.0	0 0	$V_{CC}$ or GND	$V_{is} = V_{EE}$ or $V_{CC}$ ; $V_{os} = V_{CC}$ or $V_{EE}$

# Triple 2-channel analog multiplexer/demultiplexer with latch

74HC/HCT4353

**AC CHARACTERISTICS FOR 74HC**GND = 0 V;  $t_r = t_f = 6$  ns;  $C_L = 50$  pF

SYMBOL	PARAMETER	$T_{amb}$ (°C)								UNIT	TEST CONDITIONS		
		74HC									$V_{CC}$ (V)	$V_{EE}$ (V)	OTHER
		+25			-40 to +85		-40 to +125						
		min.	typ.	max.	min.	max.	min.	max.					
$t_{PHL}/t_{PLH}$	propagation delay $V_{is}$ to $V_{os}$		14 5 4 4	60 12 10 8		75 15 13 10		90 18 15 12	ns	2.0 4.5 6.0 4.5	0 0 0 -4.5	$R_L = \infty$ ; $C_L = 50$ pF (see Fig.18)	
$t_{PZH}/t_{PZL}$	turn "ON" time $\bar{E}_1; E_2$ to $V_{os}$		61 22 18 18	250 50 43 40		315 63 54 50		375 75 64 60	ns	2.0 4.5 6.0 4.5	0 0 0 -4.5	$R_L = 1$ k $\Omega$ ; $C_L = 50$ pF (see Fig.19)	
$t_{PZH}/t_{PZL}$	turn "ON" time $\bar{LE}$ to $V_{os}$		55 20 16 17	200 40 34 40		250 50 43 50		300 60 51 60	ns	2.0 4.5 6.0 4.5	0 0 0 -4.5	$R_L = 1$ k $\Omega$ ; $C_L = 50$ pF (see Fig.19)	
$t_{PZH}/t_{PZL}$	turn "ON" time $S_n$ to $V_{os}$		61 22 18 17	225 45 38 40		280 56 48 50		340 68 58 60	ns	2.0 4.5 6.0 4.5	0 0 0 -4.5	$R_L = 1$ k $\Omega$ ; $C_L = 50$ pF (see Fig.19)	
$t_{PHZ}/t_{PLZ}$	turn "OFF" time $\bar{E}_1; E_2$ to $V_{os}$		66 24 19 19	250 50 43 40		315 63 54 50		375 75 64 60	ns	2.0 4.5 6.0 4.5	0 0 0 -4.5	$R_L = 1$ k $\Omega$ ; $C_L = 50$ pF (see Fig.19)	
$t_{PHZ}/t_{PLZ}$	turn "OFF" time $S_n$ to $V_{os}$ ; $\bar{LE}$ to $V_{os}$		55 20 16 19	200 40 34 40		250 50 43 50		300 60 51 60	ns	2.0 4.5 6.0 4.5	0 0 0 -4.5	$R_L = 1$ k $\Omega$ ; $C_L = 50$ pF (see Fig.19)	
$t_{su}$	set-up time $S_n$ to $\bar{LE}$	60 12 10 18	17 6 5 8		75 15 13 23		90 18 15 27		ns	2.0 4.5 6.0 4.5	0 0 0 -4.5	$R_L = 1$ k $\Omega$ ; $C_L = 50$ pF (see Fig.20)	
$t_h$	hold time $S_n$ to $\bar{LE}$	5 5 5 5	-6 -2 -2 -3		5 5 5 5		5 5 5 5		ns	2.0 4.5 6.0 4.5	0 0 0 -4.5	$R_L = 1$ k $\Omega$ ; $C_L = 50$ pF (see Fig.20)	
$t_w$	$\bar{LE}$ minimum pulse width HIGH	80 16 14 16	11 4 3 6		100 20 17 20		120 24 20 24		ns	2.0 4.5 6.0 4.5	0 0 0 -4.5	$R_L = 1$ k $\Omega$ ; $C_L = 50$ pF (see Fig.20)	

# Triple 2-channel analog multiplexer/demultiplexer with latch

74HC/HCT4353

**DC CHARACTERISTICS FOR 74HCT**

Voltages are referenced to GND (ground = 0 V)

SYMBOL	PARAMETER	T <sub>amb</sub> (°C)							UNIT	TEST CONDITIONS			
		74HCT								V <sub>CC</sub> (V)	V <sub>EE</sub> (V)	V <sub>I</sub>	OTHER
		+25			-40 to +85		-40 to +125						
		min.	typ.	max.	min.	max.	min.	max.					
V <sub>IH</sub>	HIGH level input voltage	2.0	1.6		2.0		2.0		V	4.5 to 5.5			
V <sub>IL</sub>	LOW level input voltage		1.2	0.8		0.8		0.8	V	4.5 to 5.5			
±I <sub>I</sub>	input leakage current			0.1		1.0		1.0	μA	5.5	0	V <sub>CC</sub> or GND	
±I <sub>S</sub>	analog switch OFF-state current per channel			0.1		1.0		1.0	μA	10.0	0	V <sub>IH</sub> or V <sub>IL</sub>	V <sub>S</sub>   = V <sub>CC</sub> - V <sub>EE</sub> Fig.10
±I <sub>S</sub>	analog switch OFF-state current all channels			0.1		1.0		1.0	μA	10.0	0	V <sub>IH</sub> or V <sub>IL</sub>	V <sub>S</sub>   = V <sub>CC</sub> - V <sub>EE</sub> Fig.10
±I <sub>S</sub>	analog switch ON-state current			0.1		1.0		1.0	μA	10.0	0	V <sub>IH</sub> or V <sub>IL</sub>	V <sub>S</sub>   = V <sub>CC</sub> - V <sub>EE</sub> Fig.11
I <sub>CC</sub>	quiescent supply current			8.0 16.0		80.0 160.0		160.0 320.0	μA	5.5 5.0	0 -5.0	V <sub>CC</sub> or GND	V <sub>is</sub> = V <sub>EE</sub> or V <sub>CC</sub> ; V <sub>os</sub> = V <sub>CC</sub> or V <sub>EE</sub>
ΔI <sub>CC</sub>	additional quiescent supply current per input pin for unit load coefficient is 1 (note 1)		100	360		450		490	μA	4.5 to 5.5	0	V <sub>CC</sub> -2.1 V	other inputs at V <sub>CC</sub> or GND

**Note to HCT types**

- The value of additional quiescent supply current (ΔI<sub>CC</sub>) for a unit load of 1 is given here.  
To determine ΔI<sub>CC</sub> per input, multiply this value by the unit load coefficient shown in the table below.

INPUT	UNIT LOAD COEFFICIENT
$\overline{E}_1, E_2$	0.50
$S_n$	0.50
$\overline{LE}$	1.5

# Triple 2-channel analog multiplexer/demultiplexer with latch

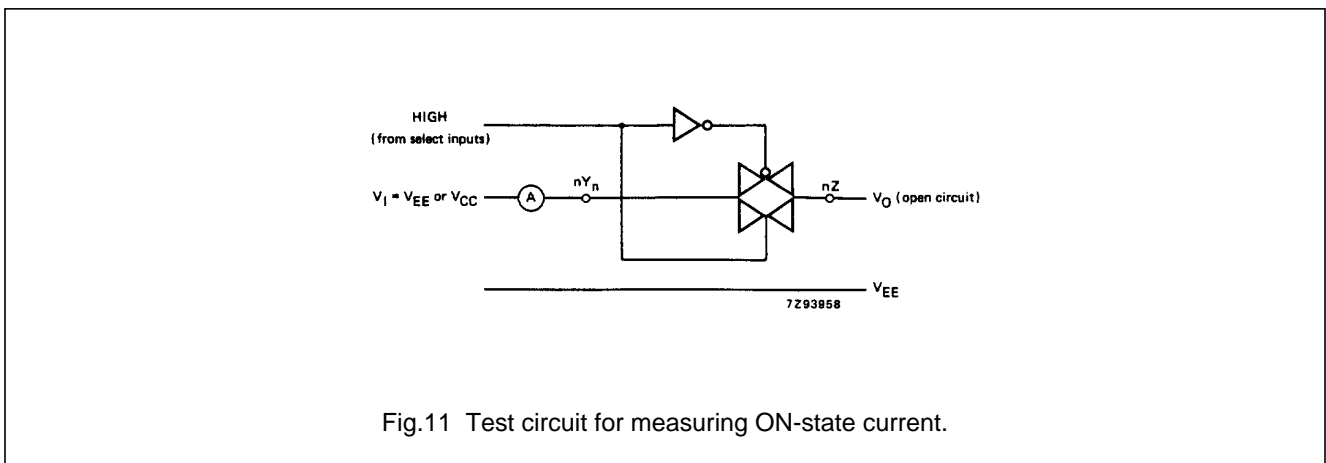
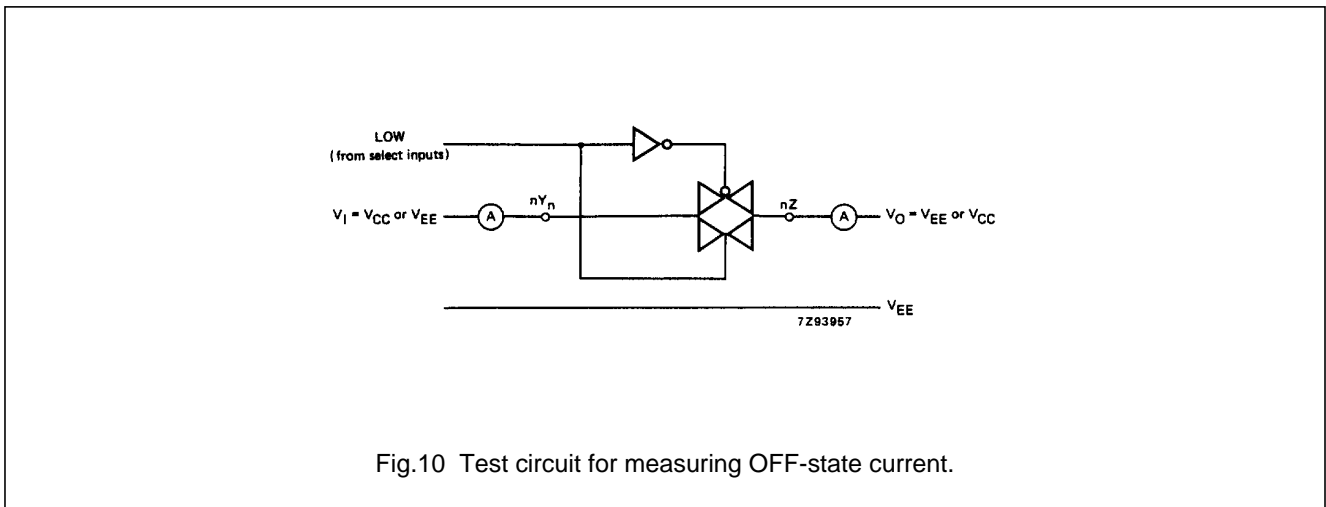
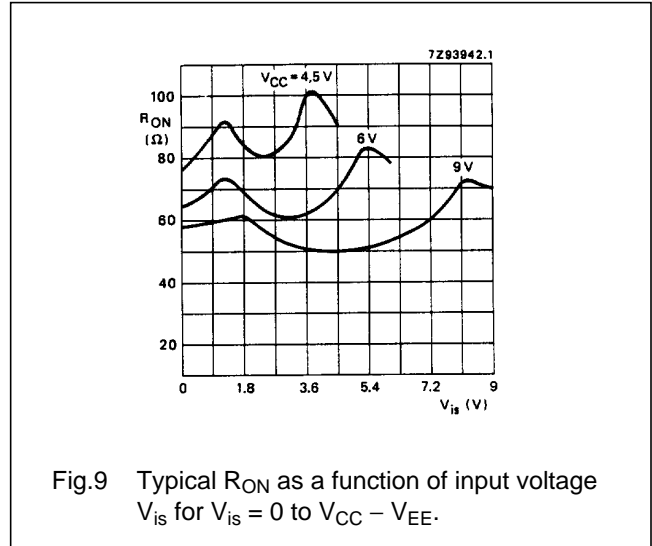
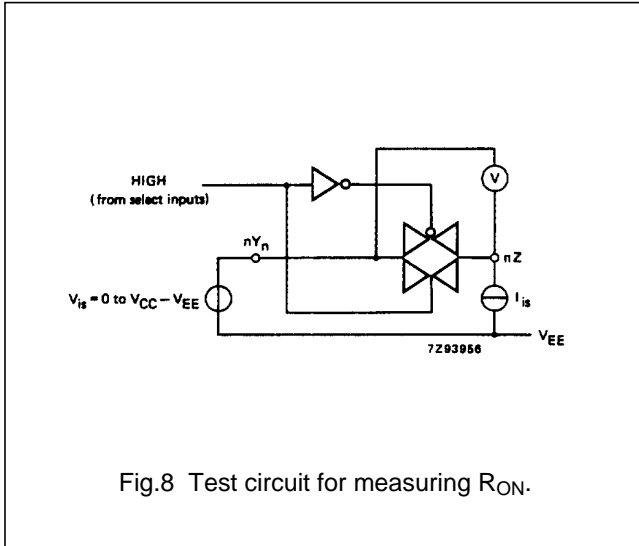
74HC/HCT4353

**AC CHARACTERISTICS FOR 74HCT**GND = 0 V;  $t_r = t_f = 6$  ns;  $C_L = 50$  pF

SYMBOL	PARAMETER	T <sub>amb</sub> (°C)								UNIT	TEST CONDITIONS		
		74HCT									V <sub>CC</sub> (V)	V <sub>EE</sub> (V)	OTHER
		+25			-40 to +85		-40 to +125						
		min.	typ.	max.	min.	max.	min.	max.					
t <sub>PHL</sub> / t <sub>PLH</sub>	propagation delay V <sub>is</sub> to V <sub>os</sub>		5 4	12 8		15 10		18 12	ns	4.5 4.5	0 -4.5	R <sub>L</sub> = ∞; C <sub>L</sub> = 50 pF (see Fig.18)	
t <sub>PZH</sub> / t <sub>PZL</sub>	turn "ON" time $\overline{E}_1$ to V <sub>os</sub>		26 22	55 45		69 56		83 68	ns	4.5 4.5	0 -4.5	R <sub>L</sub> = 1 kΩ; C <sub>L</sub> = 50 pF (see Fig.19)	
t <sub>PZH</sub> / t <sub>PZL</sub>	turn "ON" time E <sub>2</sub> to V <sub>os</sub>		22 18	50 40		63 50		75 60	ns	4.5 4.5	0 -4.5	R <sub>L</sub> = 1 kΩ; C <sub>L</sub> = 50 pF (see Fig.19)	
t <sub>PZH</sub> / t <sub>PZL</sub>	turn "ON" time $\overline{LE}$ to V <sub>os</sub>		21 17	45 40		56 50		68 60	ns	4.5 4.5	0 -4.5	R <sub>L</sub> = 1 kΩ; C <sub>L</sub> = 50 pF (see Fig.19)	
t <sub>PZH</sub> / t <sub>PZL</sub>	turn "ON" time S <sub>n</sub> to V <sub>os</sub>		25 19	50 45		63 56		75 68	ns	4.5 4.5	0 -4.5	R <sub>L</sub> = 1 kΩ; C <sub>L</sub> = 50 pF (see Fig.19)	
t <sub>PHZ</sub> / t <sub>PLZ</sub>	turn "OFF" time $\overline{E}_1$ to V <sub>os</sub>		23 19	50 40		63 50		75 60	ns	4.5 4.5	0 -4.5	R <sub>L</sub> = 1 kΩ; C <sub>L</sub> = 50 pF (see Fig.19)	
t <sub>PHZ</sub> / t <sub>PLZ</sub>	turn "OFF" time E <sub>2</sub> to V <sub>os</sub>		27 23	50 40		63 50		75 60	ns	4.5 4.5	0 -4.5	R <sub>L</sub> = 1 kΩ; C <sub>L</sub> = 50 pF (see Fig.19)	
t <sub>PHZ</sub> / t <sub>PLZ</sub>	turn "OFF" time $\overline{LE}$ to V <sub>os</sub>		19 19	40 40		50 50		60 60	ns	4.5 4.5	0 -4.5	R <sub>L</sub> = 1 kΩ; C <sub>L</sub> = 50 pF (see Fig.19)	
t <sub>PHZ</sub> / t <sub>PLZ</sub>	turn "OFF" time S <sub>n</sub> to V <sub>os</sub>		22 22	45 45		56 56		68 68	ns	4.5 4.5	0 -4.5	R <sub>L</sub> = 1 kΩ; C <sub>L</sub> = 50 pF (see Fig.19)	
t <sub>su</sub>	set-up time S <sub>n</sub> to $\overline{LE}$	12 15	7 9		15 19		18 22		ns	4.5 4.5	0 -4.5	R <sub>L</sub> = 1 kΩ; C <sub>L</sub> = 50 pF (see Fig.20)	
t <sub>h</sub>	hold time S <sub>n</sub> to $\overline{LE}$	5 5	0 -2		5 5		5 5		ns	4.5 4.5	0 -4.5	R <sub>L</sub> = 1 kΩ; C <sub>L</sub> = 50 pF (see Fig.20)	
t <sub>w</sub>	$\overline{LE}$ minimum pulse width HIGH	16 16	3 5		20 20		24 24		ns	4.5 4.5	0 -4.5	R <sub>L</sub> = 1 kΩ; C <sub>L</sub> = 50 pF (see Fig.20)	

# Triple 2-channel analog multiplexer/demultiplexer with latch

74HC/HCT4353



Triple 2-channel analog  
multiplexer/demultiplexer with latch

74HC/HCT4353

ADDITIONAL AC CHARACTERISTICS FOR 74HC/HCT

Recommended conditions and typical values

GND = 0 V; T<sub>amb</sub> = 25 °C

SYMBOL	PARAMETER	typ.	UNIT	V <sub>CC</sub> (V)	V <sub>EE</sub> (V)	V <sub>is(p-p)</sub> (V)	CONDITIONS
	sine-wave distortion f = 1 kHz	0.04 0.02	% %	2.25 4.5	-2.25 -4.5	4.0 8.0	R <sub>L</sub> = 10 kΩ; C <sub>L</sub> = 50 pF (see Fig.14)
	sine-wave distortion f = 10 kHz	0.12 0.06	% %	2.25 4.5	-2.25 -4.5	4.0 8.0	R <sub>L</sub> = 10 kΩ; C <sub>L</sub> = 50 pF (see Fig.14)
	switch "OFF" signal feed-through	-50 -50	dB dB	2.25 4.5	-2.25 -4.5	note 1	R <sub>L</sub> = 600 Ω; C <sub>L</sub> = 50 pF f = 1 MHz (see Figs 12 and 15)
	crosstalk between any two switches/ multiplexers	-60 -60	dB dB	2.25 4.5	-2.25 -4.5	note 1	R <sub>L</sub> = 600 Ω; C <sub>L</sub> = 50 pF; f = 1 MHz (see Fig.16)
V <sub>(p-p)</sub>	crosstalk voltage between control and any switch (peak-to-peak value)	110 220	mV mV	4.5 4.5	0 -4.5		R <sub>L</sub> = 600 Ω; C <sub>L</sub> = 50 pF; f = 1 MHz ( $\bar{E}_1, E_2$ or S <sub>n</sub> , square-wave between V <sub>CC</sub> and GND, t <sub>r</sub> = t <sub>f</sub> = 6 ns) (see Fig.17)
f <sub>max</sub>	minimum frequency response (-3dB)	160 170	MHz MHz	2.25 4.5	-2.25 -4.5	note 2	R <sub>L</sub> = 50 Ω; C <sub>L</sub> = 10 pF (see Figs 13 and 14)
C <sub>S</sub>	maximum switch capacitance independent (Y) common (Z)	5 12	pF pF				

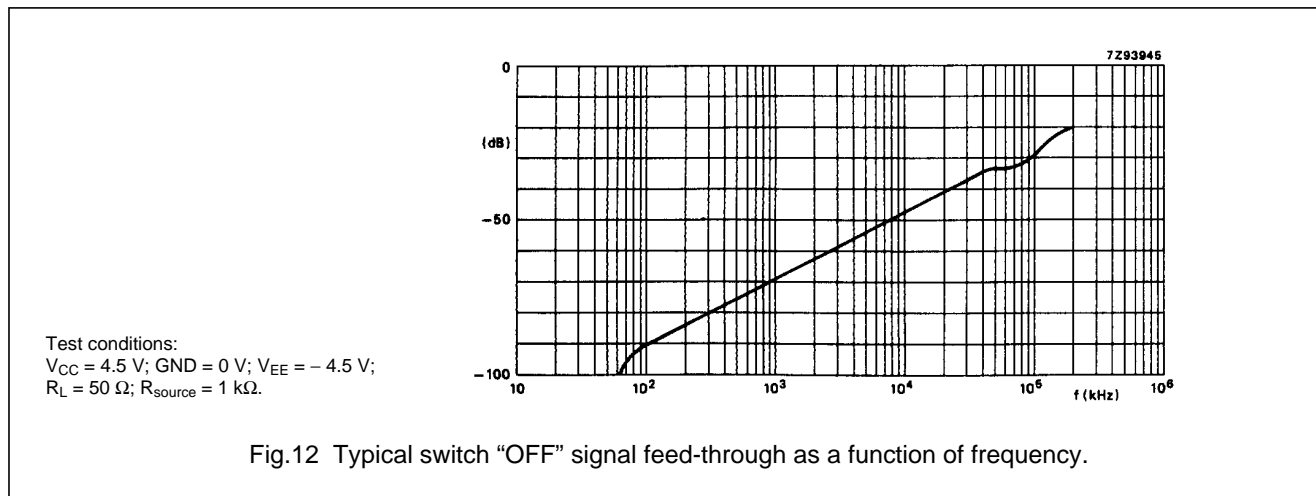
Notes to the AC characteristics

1. Adjust input voltage V<sub>is</sub> to 0 dBm level (0 dBm = 1 mW into 600 Ω).
2. Adjust input voltage V<sub>is</sub> to 0 dBm level at V<sub>os</sub> for 1 MHz (0 dBm = 1 mW into 50 Ω).

General note

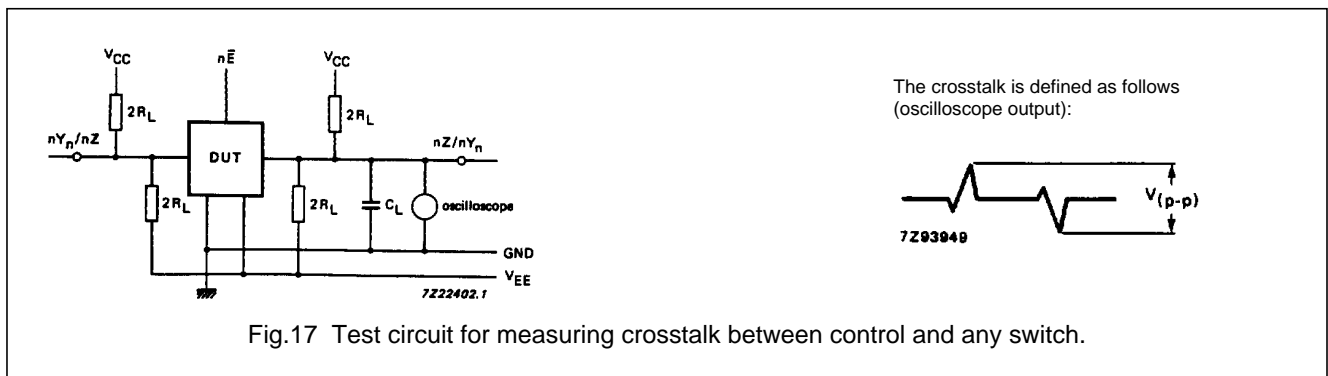
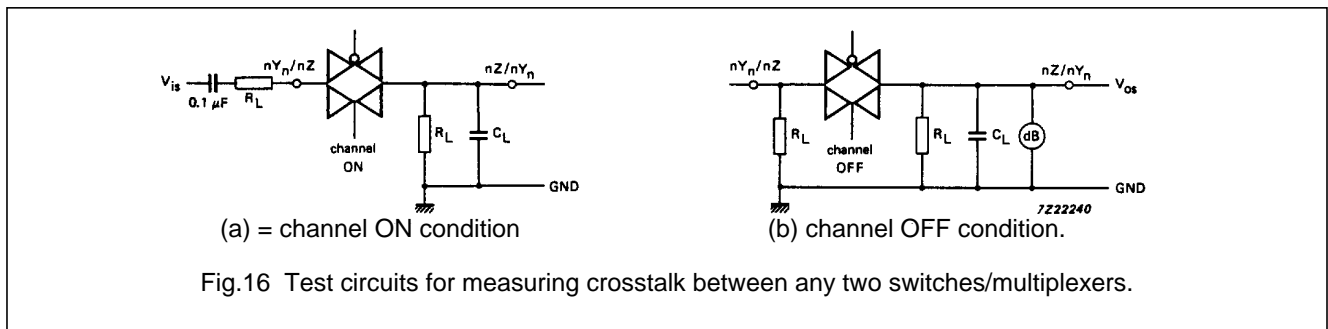
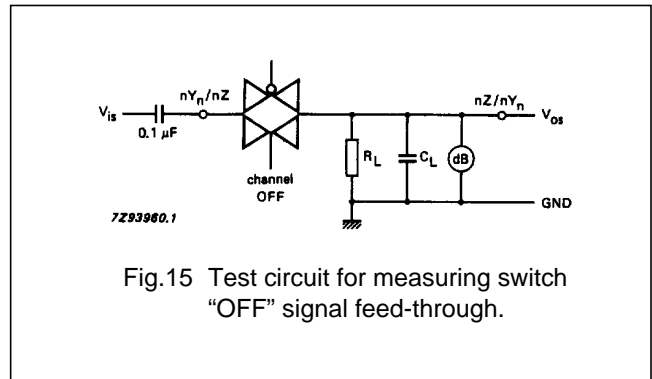
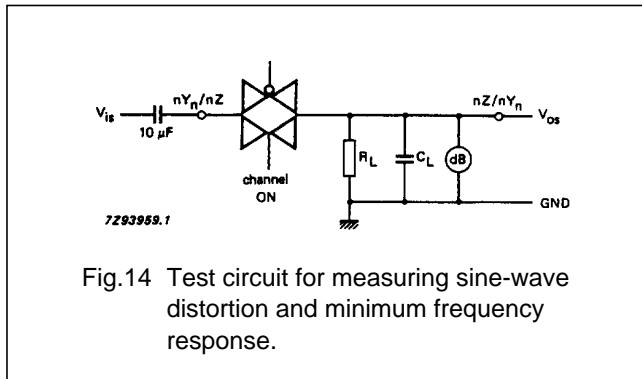
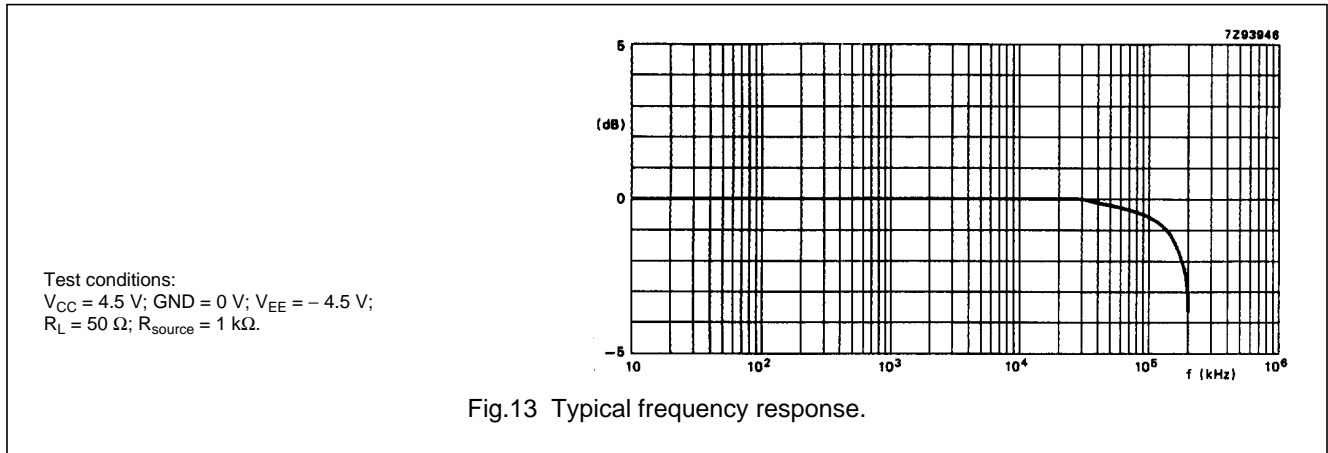
V<sub>is</sub> is the input voltage at an nY<sub>n</sub> or nZ terminal, whichever is assigned as an input.

V<sub>os</sub> is the output voltage at an nY<sub>n</sub> or nZ terminal, whichever is assigned as an output.



# Triple 2-channel analog multiplexer/demultiplexer with latch

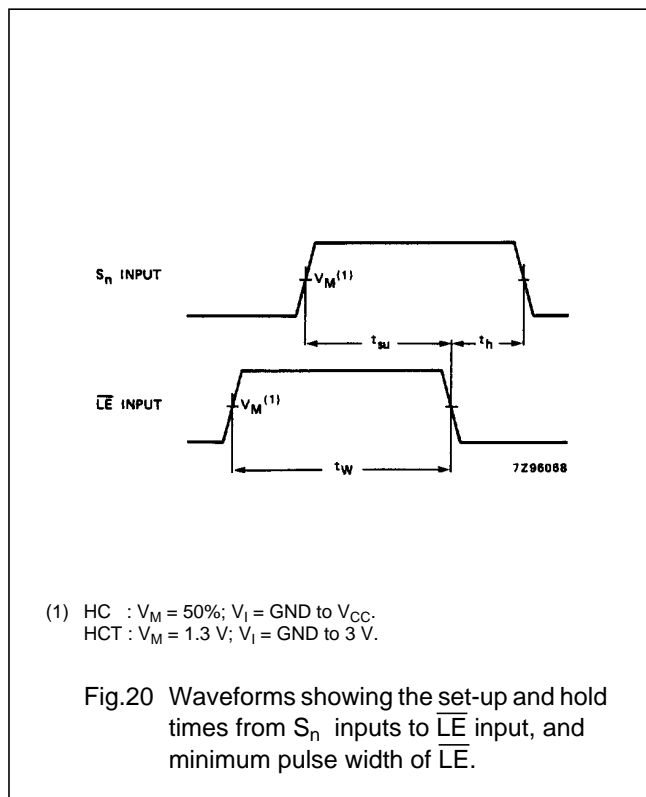
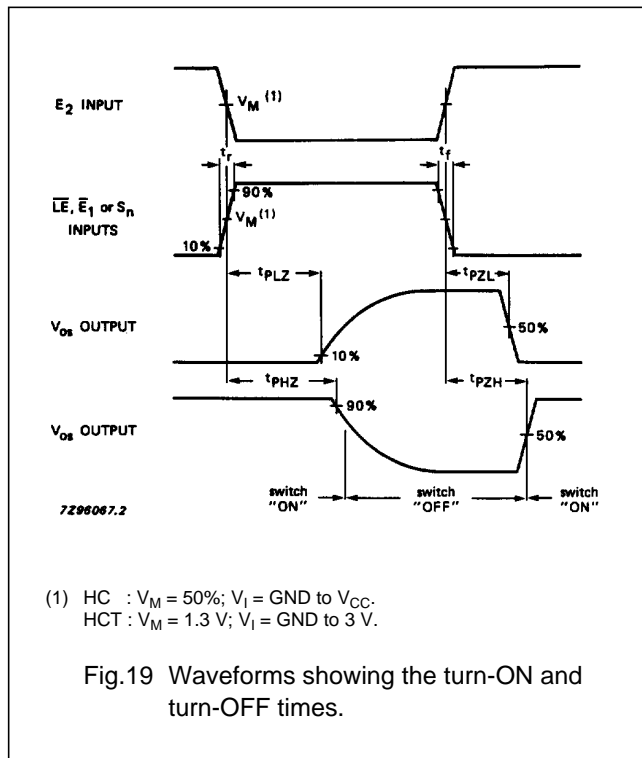
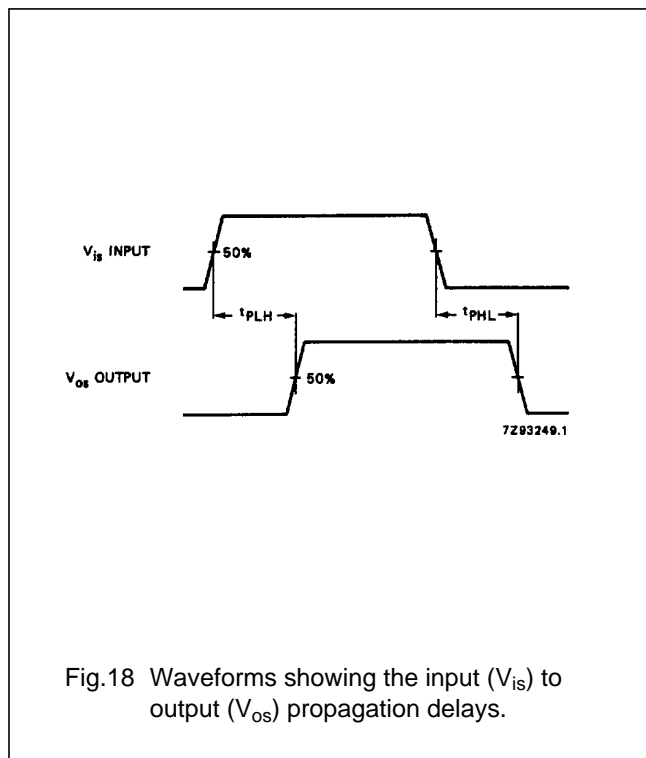
74HC/HCT4353



# Triple 2-channel analog multiplexer/demultiplexer with latch

74HC/HCT4353

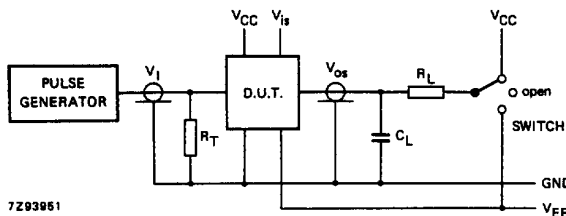
## AC WAVEFORMS



# Triple 2-channel analog multiplexer/demultiplexer with latch

74HC/HCT4353

## TEST CIRCUIT AND WAVEFORMS



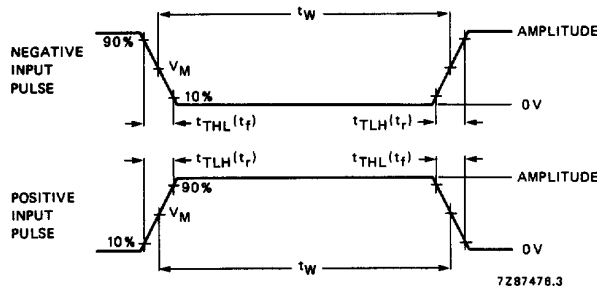
### Conditions

TEST	SWITCH	V <sub>is</sub>
t <sub>PZH</sub>	V <sub>EE</sub>	V <sub>CC</sub>
t <sub>PZL</sub>	V <sub>CC</sub>	V <sub>EE</sub>
t <sub>PHZ</sub>	V <sub>EE</sub>	V <sub>CC</sub>
t <sub>PLZ</sub>	V <sub>CC</sub>	V <sub>EE</sub>
others	open	pulse

FAMILY	AMPLITUDE	V <sub>M</sub>	t <sub>r</sub> ; t <sub>f</sub>	
			f <sub>max</sub> ; PULSE WIDTH	OTHER
74HC	V <sub>CC</sub>	50%	< 2 ns	6 ns
74HCT	3.0 V	1.3 V	< 2 ns	6 ns

- C<sub>L</sub> = load capacitance including jig and probe capacitance (see AC CHARACTERISTICS for values).
- R<sub>T</sub> = termination resistance should be equal to the output impedance Z<sub>O</sub> of the pulse generator.
- t<sub>r</sub> = t<sub>f</sub> = 6 ns; when measuring f<sub>max</sub>, there is no constraint on t<sub>r</sub>, t<sub>f</sub> with 50% duty factor.

Fig.21 Test circuit for measuring AC performance.



### Conditions

TEST	SWITCH	V <sub>is</sub>
t <sub>PZH</sub>	V <sub>EE</sub>	V <sub>CC</sub>
t <sub>PZL</sub>	V <sub>CC</sub>	V <sub>EE</sub>
t <sub>PHZ</sub>	V <sub>EE</sub>	V <sub>CC</sub>
t <sub>PLZ</sub>	V <sub>CC</sub>	V <sub>EE</sub>
others	open	pulse

FAMILY	AMPLITUDE	V <sub>M</sub>	t <sub>r</sub> ; t <sub>f</sub>	
			f <sub>max</sub> ; PULSE WIDTH	OTHER
74HC	V <sub>CC</sub>	50%	< 2 ns	6 ns
74HCT	3.0 V	1.3 V	< 2 ns	6 ns

- C<sub>L</sub> = load capacitance including jig and probe capacitance (see AC CHARACTERISTICS for values).
- R<sub>T</sub> = termination resistance should be equal to the output impedance Z<sub>O</sub> of the pulse generator.
- t<sub>r</sub> = t<sub>f</sub> = 6 ns; when measuring f<sub>max</sub>, there is no constraint on t<sub>r</sub>, t<sub>f</sub> with 50% duty factor.

Fig.22 Input pulse definitions.

---

Triple 2-channel analog  
multiplexer/demultiplexer with latch

---

74HC/HCT4353

**PACKAGE OUTLINES**

See *"74HC/HCT/HCU/HCMOS Logic Package Outlines"*.



LittleDiode supplies new, hard to find or obsolete electronic components and semiconductors all over the world.

With over two million different components listed you are sure to find the part you need.

Feel free to visit us today at our online store:

[LittleDiode.com](http://LittleDiode.com)

Looking forward to providing you with the best possible service.