

SN74LS74A

Dual D-Type Positive Edge-Triggered Flip-Flop

The SN74LS74A dual edge-triggered flip-flop utilizes Schottky TTL circuitry to produce high speed D-type flip-flops. Each flip-flop has individual clear and set inputs, and also complementary Q and \bar{Q} outputs.

Information at input D is transferred to the Q output on the positive-going edge of the clock pulse. Clock triggering occurs at a voltage level of the clock pulse and is not directly related to the transition time of the positive-going pulse. When the clock input is at either the HIGH or the LOW level, the D input signal has no effect.



ON Semiconductor
Formerly a Division of Motorola
<http://onsemi.com>

**LOW
POWER
SCHOTTKY**

MODE SELECT – TRUTH TABLE

| OPERATING MODE | INPUTS | | | OUTPUTS | |
|------------------|-------------|-------------|---|---------|-----------|
| | \bar{S}_D | \bar{C}_D | D | Q | \bar{Q} |
| Set | L | H | X | H | L |
| Reset (Clear) | H | L | X | L | H |
| *Undetermined | L | L | X | H | H |
| Load "1" (Set) | H | H | h | H | L |
| Load "0" (Reset) | H | H | l | L | H |

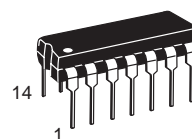
* Both outputs will be HIGH while both \bar{S}_D and \bar{C}_D are LOW, but the output states are unpredictable if \bar{S}_D and \bar{C}_D go HIGH simultaneously. If the levels at the set and clear are near V_{IL} maximum then we cannot guarantee to meet the minimum level for V_{OH} .

H, h = HIGH Voltage Level

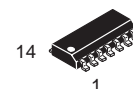
L, l = LOW Voltage Level

X = Don't Care

l, h (q) = Lower case letters indicate the state of the referenced input (or output) one set-up time prior to the HIGH to LOW clock transition.



**PLASTIC
N SUFFIX
CASE 646**



**SOIC
D SUFFIX
CASE 751A**

GUARANTEED OPERATING RANGES

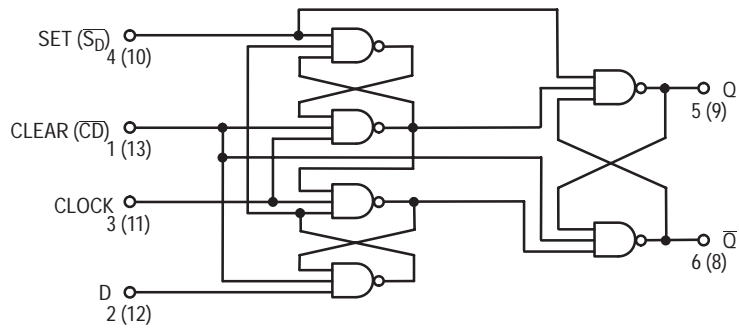
| Symbol | Parameter | Min | Typ | Max | Unit |
|----------|-------------------------------------|------|-----|------|------|
| V_{CC} | Supply Voltage | 4.75 | 5.0 | 5.25 | V |
| T_A | Operating Ambient Temperature Range | 0 | 25 | 70 | °C |
| I_{OH} | Output Current – High | | | -0.4 | mA |
| I_{OL} | Output Current – Low | | | 8.0 | mA |

ORDERING INFORMATION

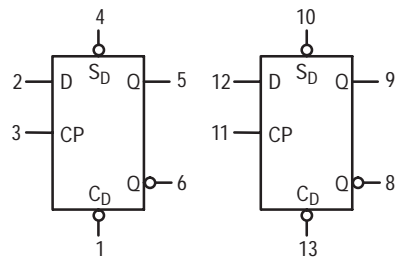
| Device | Package | Shipping |
|------------|------------|------------------|
| SN74LS74AN | 14 Pin DIP | 2000 Units/Box |
| SN74LS74AD | 14 Pin | 2500/Tape & Reel |

SN74LS74A

LOGIC DIAGRAM (Each Flip-Flop)



LOGIC SYMBOL



V_{CC} = PIN 14
GND = PIN 7

SN74LS74A

DC CHARACTERISTICS OVER OPERATING TEMPERATURE RANGE (unless otherwise specified)

| Symbol | Parameter | Limits | | | Unit | Test Conditions |
|-----------------|---|--------|-------|--------------|------|---|
| | | Min | Typ | Max | | |
| V _{IH} | Input HIGH Voltage | 2.0 | | | V | Guaranteed Input HIGH Voltage for All Inputs |
| V _{IL} | Input LOW Voltage | | | 0.8 | V | Guaranteed Input LOW Voltage for All Inputs |
| V _{IK} | Input Clamp Diode Voltage | | -0.65 | -1.5 | V | V _{CC} = MIN, I _{IN} = -18 mA |
| V _{OH} | Output HIGH Voltage | 2.7 | 3.5 | | V | V _{CC} = MIN, I _{OH} = MAX, V _{IN} = V _{IH} or V _{IL} per Truth Table |
| V _{OL} | Output LOW Voltage | | 0.25 | 0.4 | V | I _{OL} = 4.0 mA V _{CC} = V _{CC} MIN, V _{IN} = V _{IL} or V _{IH} per Truth Table |
| | | | 0.35 | 0.5 | V | |
| I _{IH} | Input High Current Data, Clock Set, Clear | | | 20 40 | μA | V _{CC} = MAX, V _{IN} = 2.7 V |
| | Data, Clock Set, Clear | | | 0.1 0.2 | mA | V _{CC} = MAX, V _{IN} = 7.0 V |
| I _{IL} | Input LOW Current Data, Clock Set, Clear | | | -0.4 -0.8 | mA | V _{CC} = MAX, V _{IN} = 0.4 V |
| I _{OS} | Output Short Circuit Current (Note 1) | -20 | | -100 | mA | V _{CC} = MAX |
| I _{CC} | Power Supply Current | | | 8.0 | mA | V _{CC} = MAX |

Note 1: Not more than one output should be shorted at a time, nor for more than 1 second.

AC CHARACTERISTICS (T_A = 25°C, V_{CC} = 5.0 V)

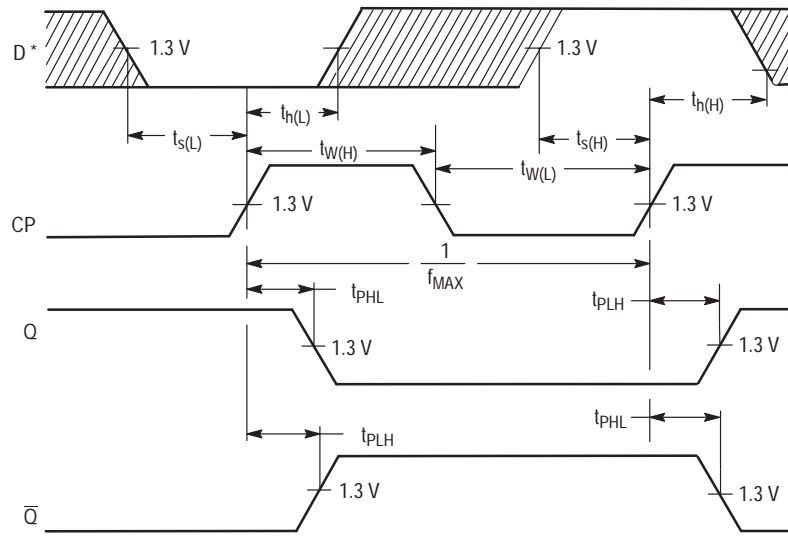
| Symbol | Parameter | Limits | | | Unit | Test Conditions | |
|--------------------------------------|-----------------------------|--------|----------|----------|------|-----------------|---|
| | | Min | Typ | Max | | | |
| f _{MAX} | Maximum Clock Frequency | 25 | 33 | | MHz | Figure 1 | V _{CC} = 5.0 V C _L = 15 pF |
| t _{PLH} t _{PHL} | Clock, Clear, Set to Output | | 13 25 | 25 40 | ns | Figure 1 | |

AC SETUP REQUIREMENTS (T_A = 25°C)

| Symbol | Parameter | Limits | | | Unit | Test Conditions | |
|-------------------|-------------------------------|--------|-----|-----|------|-----------------|-------------------------|
| | | Min | Typ | Max | | | |
| t _{W(H)} | Clock | 25 | | | ns | Figure 1 | V _{CC} = 5.0 V |
| t _{W(L)} | Clear, Set | 25 | | | ns | Figure 2 | |
| t _s | Data Setup Time — HIGH LOW | 20 | | | ns | Figure 1 | |
| | | 20 | | | ns | | |
| t _h | Hold Time | 5.0 | | | ns | Figure 1 | |

SN74LS74A

AC WAVEFORMS



*The shaded areas indicate when the input is permitted to change for predictable output performance.

Figure 1. Clock to Output Delays, Data Set-Up and Hold Times, Clock Pulse Width

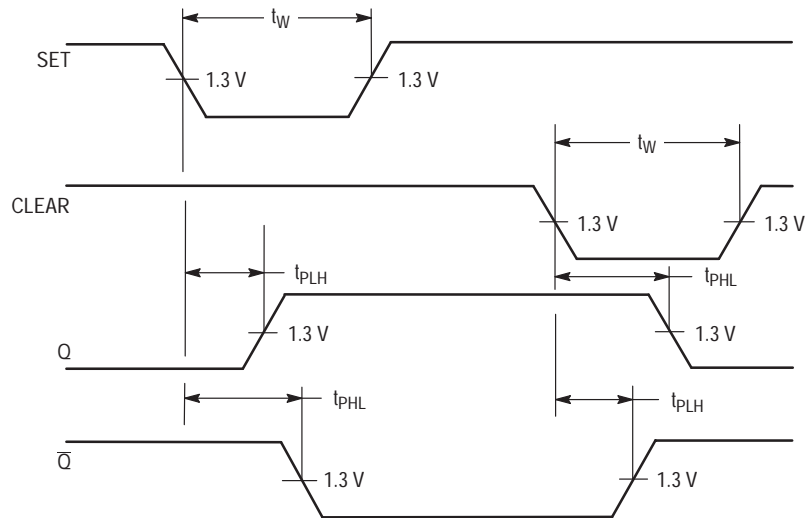
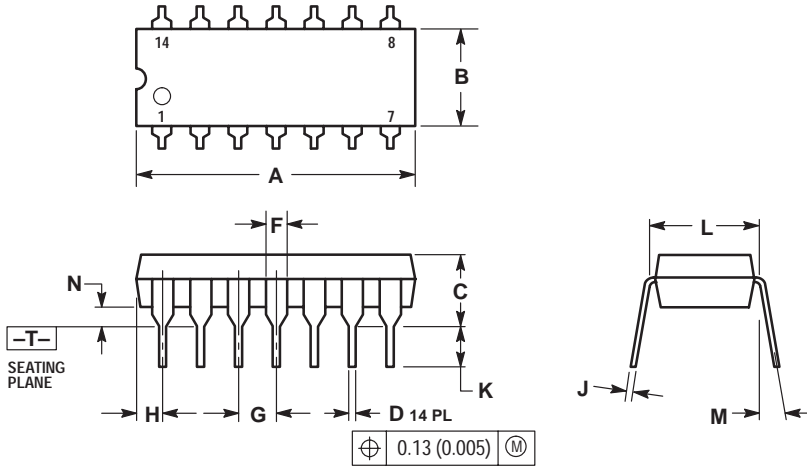


Figure 2. Set and Clear to Output Delays, Set and Clear Pulse Widths

SN74LS74A

PACKAGE DIMENSIONS

N SUFFIX
PLASTIC PACKAGE
CASE 646-06
ISSUE M




NOTES:

1. DIMENSIONING AND TOLERANCING PER ANSI Y14.5M, 1982.
2. CONTROLLING DIMENSION: INCH.
3. DIMENSION L TO CENTER OF LEADS WHEN FORMED PARALLEL.
4. DIMENSION B DOES NOT INCLUDE MOLD FLASH.
5. ROUNDED CORNERS OPTIONAL.

| DIM | INCHES | | MILLIMETERS | |
|-----|-----------|-------|-------------|-------|
| | MIN | MAX | MIN | MAX |
| A | 0.715 | 0.770 | 18.16 | 18.80 |
| B | 0.240 | 0.260 | 6.10 | 6.60 |
| C | 0.145 | 0.185 | 3.69 | 4.69 |
| D | 0.015 | 0.021 | 0.38 | 0.53 |
| F | 0.040 | 0.070 | 1.02 | 1.78 |
| G | 0.100 BSC | | 2.54 BSC | |
| H | 0.052 | 0.095 | 1.32 | 2.41 |
| J | 0.008 | 0.015 | 0.20 | 0.38 |
| K | 0.115 | 0.135 | 2.92 | 3.43 |
| L | 0.290 | 0.310 | 7.37 | 7.87 |
| M | --- | 10° | --- | 10° |
| N | 0.015 | 0.039 | 0.38 | 1.01 |

Notes

ON Semiconductor and  are trademarks of Semiconductor Components Industries, LLC (SCILLC). SCILLC reserves the right to make changes without further notice to any products herein. SCILLC makes no warranty, representation or guarantee regarding the suitability of its products for any particular purpose, nor does SCILLC assume any liability arising out of the application or use of any product or circuit, and specifically disclaims any and all liability, including without limitation special, consequential or incidental damages. "Typical" parameters which may be provided in SCILLC data sheets and/or specifications can and do vary in different applications and actual performance may vary over time. All operating parameters, including "Typicals" must be validated for each customer application by customer's technical experts. SCILLC does not convey any license under its patent rights nor the rights of others. SCILLC products are not designed, intended, or authorized for use as components in systems intended for surgical implant into the body, or other applications intended to support or sustain life, or for any other application in which the failure of the SCILLC product could create a situation where personal injury or death may occur. Should Buyer purchase or use SCILLC products for any such unintended or unauthorized application, Buyer shall indemnify and hold SCILLC and its officers, employees, subsidiaries, affiliates, and distributors harmless against all claims, costs, damages, and expenses, and reasonable attorney fees arising out of, directly or indirectly, any claim of personal injury or death associated with such unintended or unauthorized use, even if such claim alleges that SCILLC was negligent regarding the design or manufacture of the part. SCILLC is an Equal Opportunity/Affirmative Action Employer.

PUBLICATION ORDERING INFORMATION

North America Literature Fulfillment:

Literature Distribution Center for ON Semiconductor
P.O. Box 5163, Denver, Colorado 80217 USA
Phone: 303-675-2175 or 800-344-3860 Toll Free USA/Canada
Fax: 303-675-2176 or 800-344-3867 Toll Free USA/Canada
Email: ONlit@hibbertco.com

N. American Technical Support: 800-282-9855 Toll Free USA/Canada

EUROPE: LDC for ON Semiconductor – European Support

German Phone: (+1) 303-308-7140 (M-F 2:30pm to 5:00pm Munich Time)
Email: ONlit-german@hibbertco.com
French Phone: (+1) 303-308-7141 (M-F 2:30pm to 5:00pm Toulouse Time)
Email: ONlit-french@hibbertco.com
English Phone: (+1) 303-308-7142 (M-F 1:30pm to 5:00pm UK Time)
Email: ONlit@hibbertco.com

ASIA/PACIFIC: LDC for ON Semiconductor – Asia Support

Phone: 303-675-2121 (Tue-Fri 9:00am to 1:00pm, Hong Kong Time)
Toll Free from Hong Kong 800-4422-3781
Email: ONlit-asia@hibbertco.com

JAPAN: ON Semiconductor, Japan Customer Focus Center
4-32-1 Nishi-Gotanda, Shinagawa-ku, Tokyo, Japan 141-8549

Phone: 81-3-5487-8345
Email: r14153@onsemi.com

Fax Response Line: 303-675-2167
800-344-3810 Toll Free USA/Canada

ON Semiconductor Website: <http://onsemi.com>

For additional information, please contact your local
Sales Representative.

This datasheet has been downloaded from:

www.DatasheetCatalog.com

Datasheets for electronic components.



LittleDiode supplies new, hard to find or obsolete electronic components and semiconductors all over the world.

With over two million different components listed you are sure to find the part you need.

Feel free to visit us today at our online store:

LittleDiode.com

Looking forward to providing you with the best possible service.