

74LS641, LS642, 74LS641-1, LS642-1 Transceivers

Octal Bus Transceiver (Open Collector)
Product Specification

Logic Products

FEATURES

- Octal bidirectional bus interface
- Open Collector Outputs
 - 'LS641, non-inverting
 - 'LS642, inverting
- PNP inputs for reduced loading
- Hysteresis on all Data inputs
- 48mA sink capability ('LS641-1, LS642-1)

FUNCTION TABLE, 'LS641

INPUTS		INPUTS/OUTPUTS	
CE	S/R	A _n	B _n
L	L	A = B	Inputs
L	H	Inputs	B = A
H	X	(Z)	(Z)

FUNCTION TABLE, 'LS642

INPUTS		INPUTS/OUTPUTS	
CE	S/R	A _n	B _n
L	L	A = \bar{B}	Inputs
L	H	Inputs	B = \bar{A}
H	X	(Z)	(Z)

H = HIGH voltage level
L = LOW voltage level
X = Don't care
(Z) = HIGH impedance "off" state

TYPE	TYPICAL PROPAGATION DELAY (A to B)	TYPICAL SUPPLY CURRENT (TOTAL)
74LS641 & -1	17ns	58mA
74LS642 & -1	17ns	58mA

ORDERING CODE

PACKAGES	COMMERCIAL RANGE V _{CC} = 5V ±5%; T _A = 0°C to +70°C
Plastic DIP	N74LS641N N74LS641-1N N74LS642N N74LS642-1N

NOTE:

For information regarding devices processed to Military Specifications, see the Signetics Military Products Data Manual.

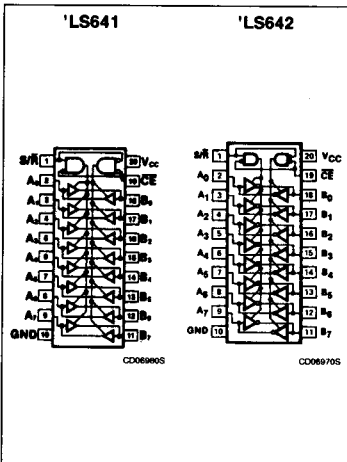
INPUT AND OUTPUT LOADING AND FAN-OUT TABLE

PINS	DESCRIPTION	74LS & -1
All	Inputs	1LSul
All	Outputs	30LSul

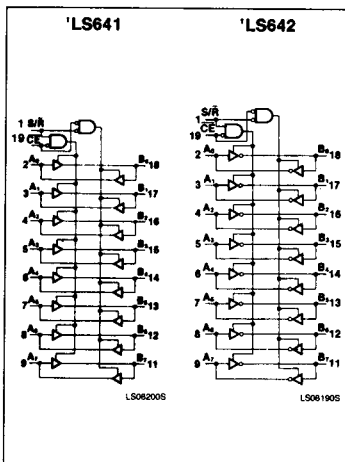
NOTE:

A 74LS unit load (LSul) is 20μA I_{IH} and -0.4mA I_{IL}.

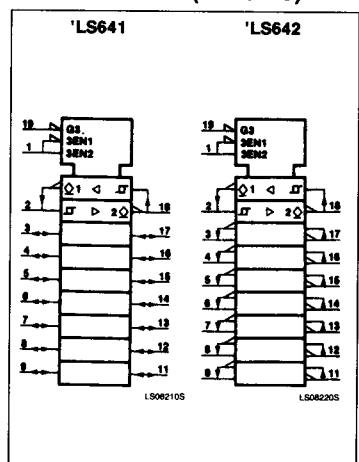
PIN CONFIGURATION



LOGIC SYMBOL



LOGIC SYMBOL (IEEE/IEC)



Transceivers

74LS641, LS642, 74LS641-1, LS642-1

ABSOLUTE MAXIMUM RATINGS (Over operating free-air temperature range unless otherwise noted.)

PARAMETER		74LS & -1	UNIT
V _{CC}	Supply voltage	7.0	V
V _{IN}	Input voltage	-0.5 to +7.0	V
I _{IN}	Input current	-30 to +1	mA
V _{OUT}	Voltage applied to output in HIGH output state	-0.5 to +V _{CC}	V
T _A	Operating free-air temperature range	0 to 70	°C

RECOMMENDED OPERATING CONDITIONS

PARAMETER		74LS & -1			UNIT
		Min	Nom	Max	
V _{CC}	Supply voltage	4.75	5.0	5.25	V
V _{IH}	HIGH-level input voltage	2.0			V
V _{IL}	LOW-level input voltage			+0.6	V
I _{IK}	Input clamp current			-18	mA
V _{OH}	HIGH-level output voltage			5.5	V
I _{OL}	LOW-level output current			24	mA
		74LS-1 only		48	mA
T _A	Operating free-air temperature	0		70	°C

DC ELECTRICAL CHARACTERISTICS (Over recommended operating free-air temperature range unless otherwise noted.)

PARAMETER	TEST CONDITIONS ¹	74LS641			74LS641-1			UNIT			
		Min	Typ ²	Max	Min	Typ ²	Max				
ΔV _T	Hysteresis (V _{T+} - V _{T-})	V _{CC} = MIN, A or B input			0.2	0.4		0.2	0.4	V	
I _{OH}	HIGH-level output current	V _{CC} = MIN, V _{IH} = MIN, V _{IL} = MAX, V _{OH} = 5.5V					100			100	μA
V _{OL}	LOW-level output voltage	V _{CC} = MIN, V _{IH} = MIN, V _{IL} = MAX	I _{OL} = 12mA			0.25	0.4		0.25	0.4	V
			I _{OL} = 24mA (74LS)			0.35	0.5		0.35	0.5	V
			I _{OL} = 48mA (74LS-1)						0.4	0.5	V
V _{IK}	Input clamp voltage	V _{CC} = MIN, I _I = I _{IK}					-1.5		-1.5	V	
I _I	Input current at maximum input voltage	V _{CC} = MAX	V _I = 5.5V	A or B input					0.1	mA	
			V _I = 7.0V	S/ \bar{R} or \overline{CE} input					0.1	mA	
I _{IH}	HIGH-level input current	V _{CC} = MAX, V _I = 2.7V					20		20	μA	
I _{IL}	LOW-level input current	V _{CC} = MAX, V _I = 0.4V					-0.4		-0.4	mA	
I _{CC}	Supply current ³ (total)	V _{CC} = MAX	I _{CC} H Outputs HIGH			48	70		48	70	mA
			I _{CC} L Outputs LOW			62	90		62	90	mA
			I _{CC} Z Outputs OFF			64	95		64	95	mA

NOTES

- For conditions shown as MIN or MAX, use the appropriate value specified under recommended operating conditions for the applicable type.
- All typical values are at V_{CC} = 5V, T_A = 25°C.
- Measure I_{CC} with outputs open.

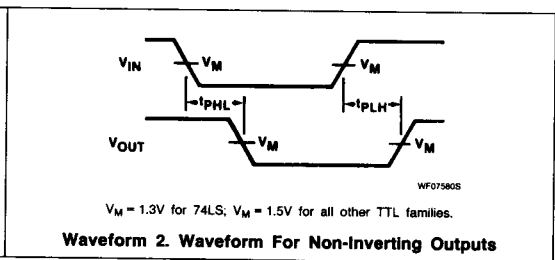
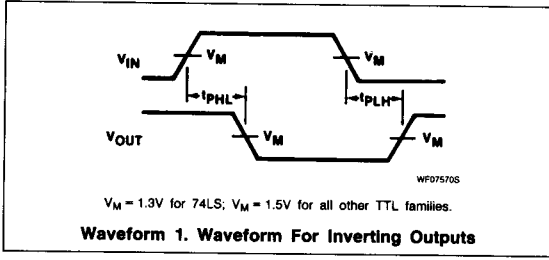
Transceivers

74LS641, LS642, 74LS641-1, LS642-1

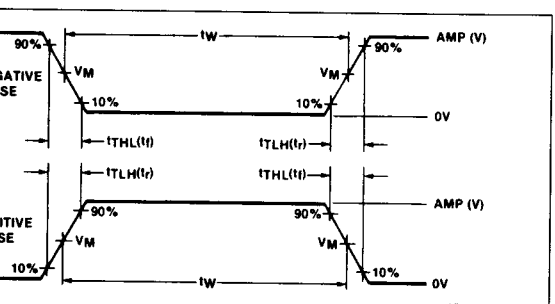
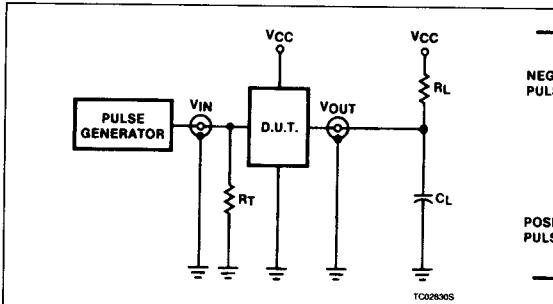
AC ELECTRICAL CHARACTERISTICS $T_A = 25^\circ\text{C}$, $V_{CC} = 5.0\text{V}$

PARAMETER	TEST CONDITIONS	$C_L = 45\text{pF}$, $R_L = 667\Omega$		UNIT	
		Min	Max		
t_{PLH} t_{PHL}	Propagation delay A input to B output	Waveform 1		25	ns
t_{PLH} t_{PHL}	Propagation delay B input to A output	Waveform 1		25	ns
t_{PLH}	Propagation delay CE, S/R inputs to A output	Waveform 1		40	ns
	CE input to B output	Waveform 1			
	S/R input to B output	Waveform 2			
t_{PHL}	Propagation delay CE, S/R inputs to A output	Waveform 2		50	ns
	CE input to B output	Waveform 2			
	S/R input to B output	Waveform 1			

AC WAVEFORMS



TEST CIRCUITS AND WAVEFORMS



$V_M = 1.3\text{V}$ for 74LS; $V_M = 1.5\text{V}$ for all other TTL families.

DEFINITIONS

R_L = Load resistor to V_{CC} ; see AC CHARACTERISTICS for value.

C_L = Load capacitance includes jig and probe capacitance; see AC CHARACTERISTICS for value.

R_T = Termination resistance should be equal to Z_{OUT} of Pulse Generators.

t_{TLH} , t_{THL} Values should be less than or equal to the table entries.

FAMILY	INPUT PULSE REQUIREMENTS				
	Amplitude	Rep. Rate	Pulse Width	t_{TLH}	t_{THL}
74	3.0V	1MHz	500ns	7ns	7ns
74LS	3.0V	1MHz	500ns	15ns	6ns
74S	3.0V	1MHz	500ns	2.5ns	2.5ns

This datasheet has been downloaded from:

www.DatasheetCatalog.com

Datasheets for electronic components.



LittleDiode supplies new, hard to find or obsolete electronic components and semiconductors all over the world.

With over two million different components listed you are sure to find the part you need.

Feel free to visit us today at our online store:

LittleDiode.com

Looking forward to providing you with the best possible service.