

N-CHANNEL SILICON POWER MOS-FET

F-II SERIES

■ Features

- High speed switching
- Low on-resistance
- No secondary breakdown
- Low driving power
- High voltage
- $V_{GS} = \pm 30V$ Guarantee
- Avalanche-proof

■ Applications

- Switching regulators
- LPS
- DC-DC converters
- General purpose power amplifier

■ Max. Ratings and Characteristics

● Absolute Maximum Ratings($T_c = 25^\circ C$)

Items	Symbols	Ratings	Units
Drain-source voltage	V_{DSS}	600	V
Continuous drain current	I_D	9	A
Pulsed drain current	$I_{D(puls)}$	27	A
Continuous reverse drain current	I_{DR}	9	A
Gate-source peak voltage	V_{GSS}	± 30	V
Max. power dissipation	P_D	50	W
Operating and storage temperature range	T_{ch}	150	$^\circ C$
	T_{stg}	$-55 \sim +150$	$^\circ C$

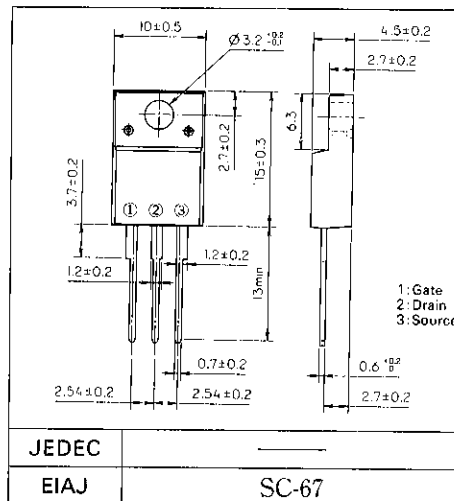
● Electrical Characteristics($T_c = 25^\circ C$)

Items	Symbols	Test Conditions	Min.	Typ.	Max.	Units
Drain-source breakdown voltage	$V_{(BR)DSS}$	$I_D = 1mA$ $V_{GS} = 0V$	600			V
Gate threshold voltage	$V_{GS(th)}$	$I_D = 1mA$ $V_{DS} = V_{GS}$	2.5	3.5	5.0	V
Zero gate voltage drain current	I_{DSS}	$V_{DS} = 600V$ $V_{GS} = 0V$ $T_{ch} = 25^\circ C$		10	500	μA
		$V_{DS} = 600V$ $V_{GS} = 0V$ $T_{ch} = 125^\circ C$		0.2	1.0	mA
Gate-source leakage current	I_{GSS}	$V_{GS} = \pm 30V$ $V_{DS} = 0V$		10	100	nA
Drain-source on-state resistance	$R_{DS(on)}$	$I_D = 5A$ $V_{GS} = 10V$		0.85	1.0	Ω
Forward transconductance	g_{fs}	$I_D = 5A$ $V_{DS} = 25V$	4.0	6.0		S
Input capacitance	C_{iss}	$V_{DS} = 25V$		1200	1800	pF
Output capacitance	C_{oss}	$V_{GS} = 0V$		150	230	
Reverse transfer capacitance	C_{rss}	$f = 1MHz$		60	90	
Turn-on time t_{on} ($t_{on} = t_{d(on)} + t_r$)	$t_{d(on)}$	$V_{CC} = 300V$ $I_D = 9A$ $V_{GS} = 10V$ $R_G = 25\Omega$		30	45	μs
	t_r			80	120	
Turn-off time t_{off} ($t_{off} = t_{d(off)} + t_f$)	$t_{d(off)}$			160	240	
	t_f			80	120	
Diode forward on-voltage	V_{SD}	$I_F = 2 \times I_{DR}$ $V_{GS} = 0V$ $T_{ch} = 25^\circ C$		1.1	1.5	V
Reverse recovery time	t_{rr}	$I_F = I_{DR}$ $dI/dt = 100A/\mu s$ $T_{ch} = 25^\circ C$		500		ns

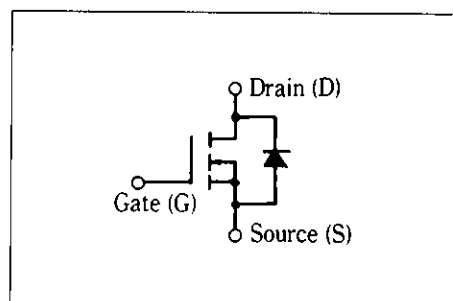
● Thermal Characteristics

Items	Symbols	Test Conditions	Min.	Typ.	Max.	Units
Thermal resistance	$R_{th(ch-a)}$	channel to air			62.5	$^\circ C/W$
	$R_{th(ch-c)}$	channel to case			2.5	$^\circ C/W$

■ Outline Drawings



■ Equivalent Circuit Schematic





MOSFETs

FAP-II Series - VGS ± 30V, Reduced Turn-Off Time, High Avalanche Ruggedness 200 - 900 Volts

Device Type	Maximum Ratings			Characteristics (Max.)					Package
	V _{DSS} (V)	I _D (A)	P _D (W)	R _{DS(ON)} Ω	C _{ISS} (pf)	C _{OSS} (pf)	t _{on} (ns)	t _{off} (ns)	
2SK2519-01	200	10	40	0.40	750	170	70	80	TO-220
2SK2520-01MR	200	10	30	0.40	750	170	70	80	TO-220F15
2SK2521-01	200	18	50	0.18	1650	330	150	150	TO-220
2SK2522-01MR	200	18	40	0.18	1650	330	150	150	TO-220F15
2SK2469-01MR	300	5	30	1.00	750	180	45	70	TO-220F15
2SK2470-01MR	300	10	40	0.53	110	230	70	85	TO-220F15
2SK2471-01	300	10	80	0.53	1100	230	70	85	TO-3P
2SK2473-01	300	20	125	0.20	2850	600	150	225	TO-3P
2SK1006-01MR	450	5	40	1.60	750	100	95	200	TO-220F15
2SK1007-01	450	5	60	1.60	750	100	95	200	TO-220
2SK1009-01	450	7	80	1.30	1000	150	110	200	TO-220
2SK1386-01	450	7	100	1.30	1000	150	110	200	TO-3P
2SK2523-01	450	9	60	1.00	1700	200	105	145	TO-220
2SK2524-01MR	450	9	40	1.00	1700	200	105	145	TO-220F15
2SK2525-01	450	9	80	1.00	1700	200	105	145	TO-3P
2SK1011-01	450	10	100	0.65	1800	240	165	360	TO-3P
2SK1101-01MR	450	10	50	0.65	1800	240	165	360	TO-220F15
2SK1013-01	450	13	125	0.60	2100	270	215	370	TO-3P
2SK1015-01	450	18	125	0.45	2700	410	260	500	TO-3P
2SK1916-01R	450	18	80	0.45	2700	410	260	500	TO-3PF
2SK1017-01	450	20	150	0.35	3300	480	375	740	TO-3P
2SK1008-01	500	4.5	60	2.20	750	100	95	200	TO-220
2SK1010-01	500	6	80	1.60	1000	150	110	200	TO-220
2SK1820-01L,S	500	6	80	1.60	1000	150	110	200	T-PACK L,S
2SK1012-01	500	10	100	0.90	1800	240	165	360	TO-3P
2SK1503-01	500	10	80	0.90	1800	240	165	360	TO-220
2SK1504-01L,S	500	10	80	0.90	1800	240	165	360	T-PACK L,S
2SK1102-01MR	500	10	50	0.90	1800	240	165	360	TO-220F15
2SK1014-01	500	12	125	0.74	2100	270	215	370	TO-3P
2SK2080-01R	500	15	80	0.55	2700	410	260	500	TO-3PF
2SK1016-01	500	15	125	0.55	2700	410	260	500	TO-3P
2SK1507-01MR	600	9	50	1.00	1800	230	165	360	TO-220F15
2SK2561-01R	600	9	80	1.20	1800	230	165	360	TO-3PF
2SK1023-01	800	4	60	4.50	1200	120	145	255	TO-220
2SK1552-01L,S	800	4	60	4.50	1200	120	145	255	T-PACK L,S
2SK1547-01MR	800	4	40	4.50	1200	120	145	255	TO-220F15
2SK2397-01MR	800	5	50	2.30	1200	180	190	310	TO-220F15
2SK1081-01	800	7	125	2.20	1800	210	225	380	TO-3P
2SK956-01	800	9	150	1.50	2100	300	425	690	TO-3P
2SK1385-01R	800	9	100	1.50	2100	300	425	690	TO-3PF
2SK1548-01MR	900	3.5	40	5.50	1200	120	145	255	TO-220F15
2SK1024-01	900	3.5	60	5.50	1200	120	145	255	TO-220
2SK1510-01L,S	900	3.5	60	5.50	1200	120	145	255	T-PACK L,S
2SK2528-01	900	4	80	3.60	1150	145	85	165	TO-3P
2SK2526-01	900	5	60	3.60	1150	145	85	165	TO-220
2SK2527-01MR	900	5	40	3.60	1150	145	85	165	TO-220F15
2SK1082-01	900	6	125	2.80	1800	210	225	380	TO-3P
2SK962-01	900	8	150	2.00	2100	300	425	690	TO-3P
2SK1217-01R	900	8	100	2.00	2100	300	425	690	TO-3PF

2238792 0004019 882

This datasheet has been downloaded from:

www.DatasheetCatalog.com

Datasheets for electronic components.



LittleDiode supplies new, hard to find or obsolete electronic components and semiconductors all over the world.

With over two million different components listed you are sure to find the part you need.

Feel free to visit us today at our online store:

LittleDiode.com

Looking forward to providing you with the best possible service.