

General Purpose Transistor (50V, 0.15A)

2SD2654 / 2SD2351 / 2SD2226K / 2SD2227S

●Features

- 1) High DC current gain.
- 2) High emitter-base voltage. ($V_{CE0}=12V$)
- 3) Low saturation voltage.
(Typ. $V_{CE(sat)}=0.3V$ at $I_c/I_b=50mA/5mA$)

●Absolute maximum ratings (Ta = 25°C)

Parameter	Symbol	Limits	Unit
Collector-base voltage	V_{CBO}	60	V
Collector-emitter voltage	V_{CEO}	50	V
Emitter-base voltage	V_{EBO}	12	V
Collector current	I_c	0.15	A (DC)
		0.2	A (Pulse)*
Collector power dissipation	P_c	0.15	W
		0.2	
		0.3	
Junction temperature	T_j	150	°C
Storage temperature	T_{stg}	-55~+150	°C

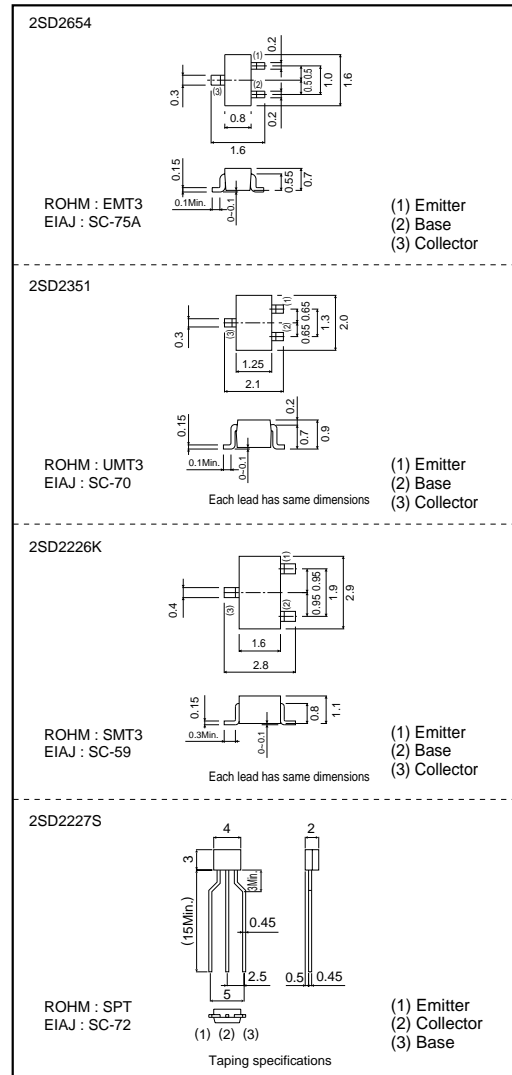
*Single pulse Pw=100ms

●Packaging specifications and hFE

Type	2SD2654	2SD2351	2SD2226K	2SD2227S
Package	EMT3	UMT3	SMT3	SPT
hFE	VW	VW	VW	W
Marking	BJ*	BJ*	BJ*	-
Code	TL	T106	T146	TP
Basic ordering unit (pieces)	3000	3000	3000	5000

* Denotes hFE

●External dimensions (Units : mm)



●Electrical characteristics (Ta = 25°C)

Parameter	Symbol	Min.	Typ.	Max.	Unit	Conditions	
Collector-base breakdown voltage	BV_{CBO}	60	-	-	V	$I_c=10\mu A$	
Collector-emitter breakdown voltage	BV_{CEO}	50	-	-	V	$I_c=1mA$	
Emitter-base breakdown voltage	BV_{EBO}	12	-	-	V	$I_E=10\mu A$	
Collector cutoff current	I_{cbo}	-	-	0.3	μA	$V_{CB}=50V$	
Emitter cutoff current	I_{EBO}	-	-	0.3	μA	$V_{EB}=12V$	
Collector-emitter saturation voltage	$V_{CE(sat)}$	-	-	0.3	V	$I_c/I_b=50mA/5mA$	
DC current transfer ratio	2SD2654, 2SD2351, 2SD2226K	h_{FE}	560	-	2700	-	$V_{CE}/I_c=5V/1mA$
			1200	-	2700	-	$V_{CE}/I_c=5V/1mA$
Transition frequency	f_r	-	250	-	MHz	$V_{CE}=5V, I_E=10mA, f=100MHz$	
Output capacitance	C_{ob}	-	3.5	-	pF	$V_{CB}=5V, I_E=0A, f=1MHz$	

*Measured using pulse current.



LittleDiode supplies new, hard to find or obsolete electronic components and semiconductors all over the world.

With over two million different components listed you are sure to find the part you need.

Feel free to visit us today at our online store:

LittleDiode.com

Looking forward to providing you with the best possible service.