

AN608P

Wide bandwidth video amplifier IC (in-phase amplifier)

■ Overview

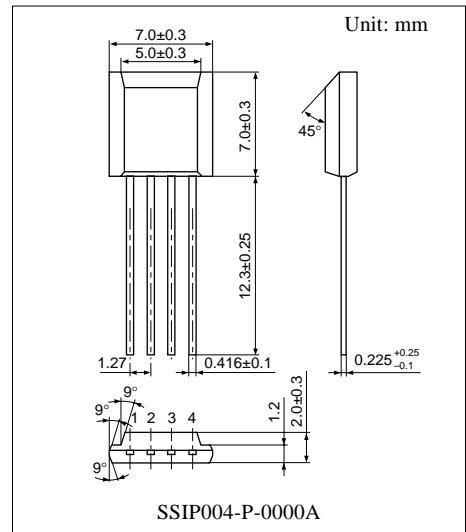
The AN608P is an amplifier IC with a 20 dB gain, a non-inverted output and a wide bandwidth (10MHz). It is best suited to video amplifier and sense amplifier.

■ Features

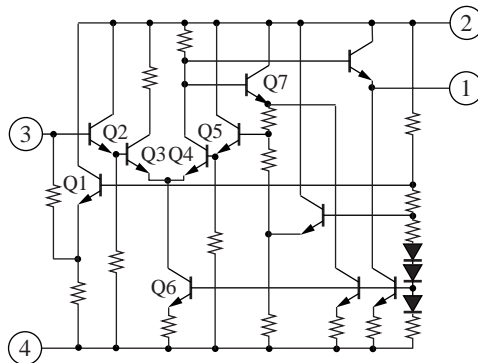
- Wide bandwidth (10 MHz)
- 20 dB non-inverting amplifier
- 4-pin SIP plastic package

■ Applications

- Video amplifier, sense amplifier



■ Equivalent Circuit



■ Pin Descriptions

Pin No.	Description
1	Output
2	Supply voltage
3	Input
4	GND

■ Absolute Maximum Ratings at $T_a = 25^\circ\text{C}$

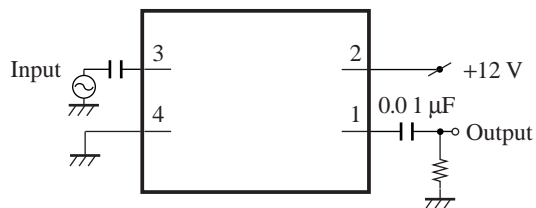
Parameter	Symbol	Rating	Unit
Supply voltage	V_{2-4}	14.4	V
Circuit voltage	V_{3-4}	V_{2-4} to -1	V
Total consumption current	I_2	11	mA
Circuit current	I_3	+1 to -0.5	mA
	I_1	0 to -5	
Total power dissipation	P_{TOT}	160	mW
Operating ambient temperature	T_{opr}	-20 to +70	$^\circ\text{C}$
Storage temperature	T_{stg}	-40 to +125	$^\circ\text{C}$

Note) Do not apply current and voltage to the pins not described. The mark '+' means the current flowing into the IC and the mark '-' means the current flowing out of the IC.

■ Electrical Characteristics at $T_a = 25^\circ\text{C}$

Parameter	Symbol	Conditions	Min	Typ	Max	Unit
Circuit current	I_2	$V_{CC} = 12\text{ V}$	5.0		9.0	mA
Video signal output pin voltage	V_{1-4}	$V_{CC} = 12\text{ V}$	5.0		8.0	V
Video signal input pin voltage	V_{3-4}	$V_{CC} = 12\text{ V}$	1.9		3.5	V
Maximum output voltage	V_{OM}	$f = 10\text{ kHz}$, $R_L = 1.5\text{ k}\Omega$	2			V[p-p]
Output voltage 1	$V_{O(1)}$	$f = 10\text{ kHz}$, $V_I = 0.1\text{ V[p-p]}$	0.8		1.1	V[p-p]
Output voltage 2	$V_{O(2)}$	$V_I = 0.2\text{ V[p-p]}$	1.5		2.2	V[p-p]
Frequency characteristics	$\Delta V_{O(f1)}$	$V_I = 0.1\text{ V[p-p]}$, $f = 1\text{ MHz to }5\text{ MHz}$	-1		+1	dB
Frequency characteristics	$\Delta V_{O(f2)}$	$V_I = 0.1\text{ V[p-p]}$, $f = 1\text{ MHz to }10\text{ MHz}$	-1		+2	dB
Total harmonics distortion ratio	THD	$V_O = 1\text{ V[p-p]}$, $f = 10\text{ kHz}$			1	%

■ Basic Circuit





LittleDiode supplies new, hard to find or obsolete electronic components and semiconductors all over the world.

With over two million different components listed you are sure to find the part you need.

Feel free to visit us today at our online store:

LittleDiode.com

Looking forward to providing you with the best possible service.